

**IMPORTANT:**  
**Read Before Using**

**IMPORTANT :**  
**Lire avant usage**

**IMPORTANTE:**  
**Leer antes de usar**



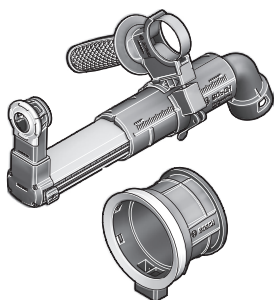
**Operating/Safety Instructions**  
**Consignes de sécurité/d'utilisation**  
**Instrucciones de funcionamiento y seguridad**

**Dust extraction attachments for hammers and hammer drills**

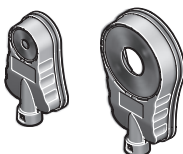
**Accessoires d'extraction de poussière pour marteaux ordinaires et marteaux perforateurs**

**Aditamentos de extracción de polvo para martillos y taladros de percusión**

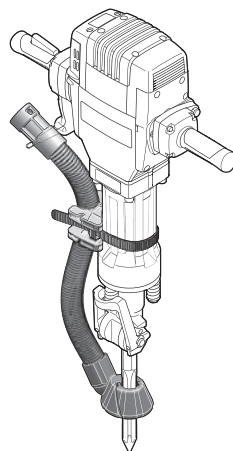
**HDC100**



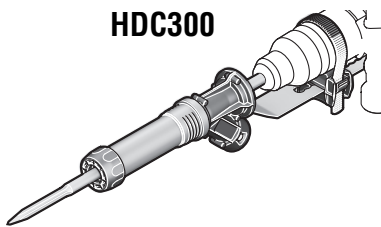
**HDC200 HDC250**



**HDC400**



**HDC300**



**BOSCH**

**Call Toll Free for Consumer Information & Service Locations**

**Pour obtenir des informations et les adresses de nos centres de service après-vente, appelez ce numéro gratuit**

**Llame gratis para obtener información para el consumidor y ubicaciones de servicio**

**1-877-BOSCH99 (1-877-267-2499) [www.boschtools.com](http://www.boschtools.com)**





**For English Version  
See page 2**

**Version française  
Voir page 20**

**Versión en español  
Ver la página 38**

## Safety Symbols

The definitions below describe the level of severity for each signal word. Please read the manual and pay attention to these symbols.

	<p>This is the safety alert symbol. It is used to alert you to potential personal injury hazards. Obey all safety messages that follow this symbol to avoid possible injury or death.</p>
	<p>DANGER indicates a hazardous situation which, if not avoided, will result in death or serious injury.</p>
	<p>WARNING indicates a hazardous situation which, if not avoided, could result in death or serious injury.</p>
	<p>CAUTION indicates a hazardous situation which, if not avoided, could result in minor or moderate injury.</p>

## General Safety Rules

**WARNING** To reduce the risk of injury, read these instructions and your tool's operating instructions before using the hammer dust extraction system with the tool.

### SAVE THESE INSTRUCTIONS

Wear eye and dust protection.

Unplug power tool before assembling or disassembling accessory, attachment or making adjustments.

Use dust extractor or other dust collection device to reduce exposure to silica carbide dusts or other hazardous dusts created while operating the tool with this accessory and attachment.

**WARNING** Some dust created by power sanding, sawing grinding, drilling, and other construction activities contains chemicals known to cause cancer, birth defects or other reproductive harm. Some examples of these are:

- Lead from lead-based paints.
- Crystalline silica from bricks and cement and other masonry products, and

- Arsenic and chromium from chemically treated lumber.

Your risk from these exposures varies; depending on how often you do this type of work. To reduce your exposure to these chemicals: work in a well ventilated area, and work with approved safety equipment, such as those dust masks that are specially designed to filter out microscopic particles.

Use only for extraction of masonry type materials. Not for use on hazardous materials. Ensure secure attachment to tool before operation. See instructions for chiseling capacity. Follow all tool/dust extractor instructions.

## Specific Safety Rules for Attachment

**If devices are provided for the connection to dust collection and extraction systems, be sure these are connected and used according to tool and dust extractor instructions.** Proper use of dust collection can reduce dust related hazards.

**If devices are provided for the connection of dust collection and extraction systems, empty the dust container before beginning work, frequently during work, after completion of work, and before storing the tool.** Be extremely careful of dust disposal, materials in fine particles form may be explosive.

**Do not throw dust on an open fire.** Combustion from mixture of varnishes, lacquers, polyurethane, oil or water with dust particles can occur if there is a static discharge, electric spark, or excessive heat.

**Do not use dust extraction for operations where dust may include burning, smoking or smoldering items like hot ashes or sparks.** Fire inside the dust extractor tank or bag may occur. Dust may smolder and set dust extractor on fire long after work is completed.

**Do not use dust extraction with explosive dusts, varnish, polyurethane coatings,**

**cleaners, or oil-based paints.** Electric motors create sparks which may ignite the dust or fumes.

**Do not use dust extraction when working on metal.** Swarf from drilling metal may be hot and may spark which may melt plastic adaptors, dust extractor hoses and may cause a fire inside the dust extractor tank or bag.

**Do not drill into metal with the dust extraction system mounted.** Hot metal chips can self-ignite or ignite parts of the dust extraction system.

**Do not drill into wood with dust extraction system mounted.** Wood chips are typically too large and will clog the dust channel.

**Do not use to clean asbestos.**

**HDC100:** can be used for drilling and chipping applications;

**HDC200, HDC250:** can only be used for drilling applications – do not use when chiseling, screw-driving or cutting threads.

**HDC300, HDC400:** can only be used for chiseling or demolition applications (see chart for details) – do not use when drilling, screw-driving or cutting threads

## Hammer Dust Extraction Attachments Compatibility

Application ▶	Drilling Only	Drilling / Chipping <sup>1</sup>	Drilling Only	Chiseling Only <sup>1</sup>	Demolition
Attachment ▶ Works with ▼	GDE18V-16	HDC100	HDC200 / HDC250 <sup>2</sup>	HDC300	HDC400
<b>Hammer Drills</b>	-	-	1191VSR, HD18-2, HD19-2, HD21-2	-	-
<b>SDS-plus® Corded Hammers</b>		<i>Used in Hammer Drilling mode:</i> 11250VSR, 11253VSR, 11255VSR, RH226, RH228VC, GBH2-28L, RH328VC, RH328VCQ	<i>Used in Hammer Drilling mode:</i> 11250VSR, 11253VSR, 11255VSR, RH226, RH228VC, GBH2-28L, RH328VC, RH328VCQ, RH432VCQ	-	-
<b>SDS-plus® Cordless Hammers</b>	GBH18V-26	<i>Used in Chipping mode:</i> RHH181, GBH18V-20, 11536VSR, 11536C-2, GBH18V-26, RH328VC-36	<i>Used in Hammer Drilling mode:</i> RHH181, GBH18V-20, 11536VSR, 11536C-2, GBH18V-26, RH328VC-36	-	-
<b>SDS-max® Rotary Hammers</b>	-	-	<i>Used in Hammer Drilling mode:</i> RH540M, RH540S, 11264EVS, 11265EVS, RH745, RH850VC, 11245EVS, RH1255VC	<i>Used in Chiseling mode:</i> RH540M, RH540S, 11264EVS, 11265EVS, RH745, RH850VC, 11245EVS, RH1255VC	-
<b>SDS-max® Demolition Hammers</b>	-	-	-	DH507, 11321EVS, DH712VC, DH1020VC, 11316EVS <sup>3</sup>	DH1020VC
<b>1-1/8" Hex Breaker Hammers</b>	-	-	-	-	11335K, BH2760VC, BH2770VC, GSH27-62

<sup>1</sup> When chipping or chiseling use with pointed and narrow flat chisels.

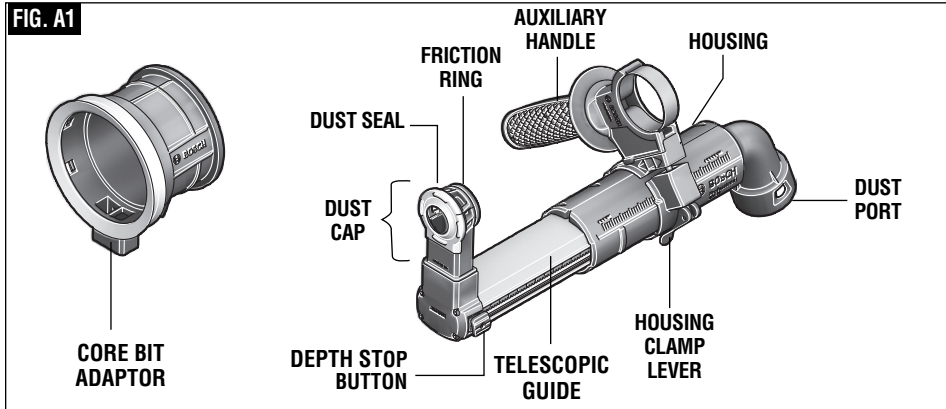
<sup>2</sup> HDC200 and HDC250 are universal. They work with any drilling tool used to drill into concrete / masonry type materials.

<sup>3</sup> Follow special mounting instructions for use with 11316EVS in "HDC300 Assembly" section.

**HDC100****Functional Description and Specifications**

To reduce the risk of injury user must read instruction manual for the use of the tool with this attachment.

SAVE THESE INSTRUCTIONS

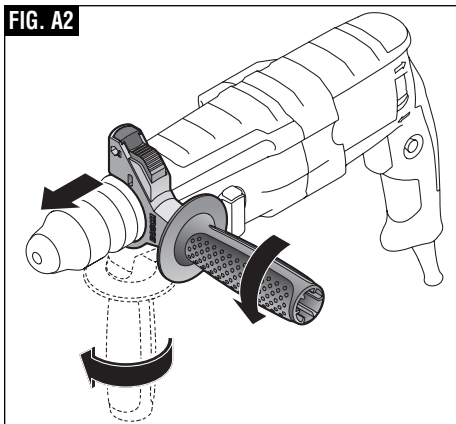
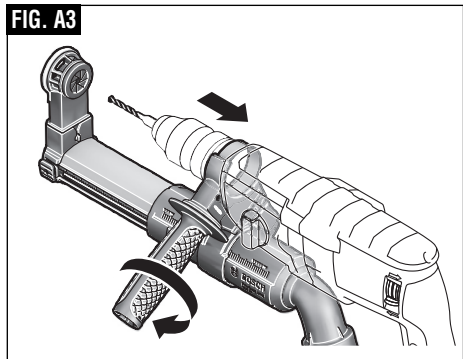
**HDC100 Dust Extraction Attachment****FIG. A1****HDC100****Assembly**

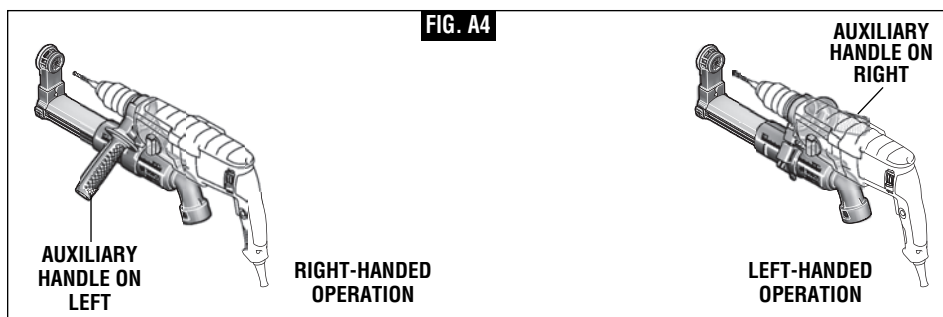
Disconnect the plug from the power source before making any assembly, adjustments or changing accessories. Such preventive safety measures reduce the risk of starting the tool accidentally.

**REMOVING AND INSTALLING DUST EXTRACTION SYSTEM**

First remove the auxiliary handle that comes standard with the tool. To remove, loosen the hand grip and remove the handle from the tool (Fig. A2).

To install the dust extraction attachment, slide the clamping band of the auxiliary handle over the chuck until the band rests on the barrel of the tool. Then securely tighten the hand grip (Fig. A3).

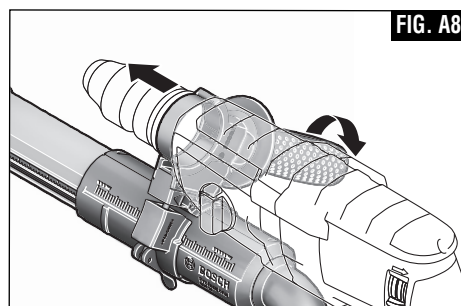
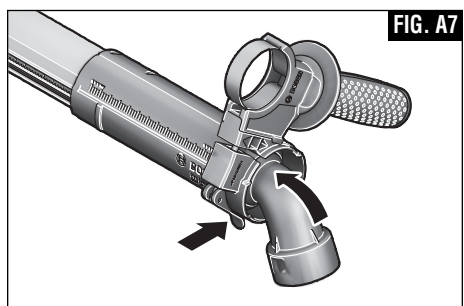
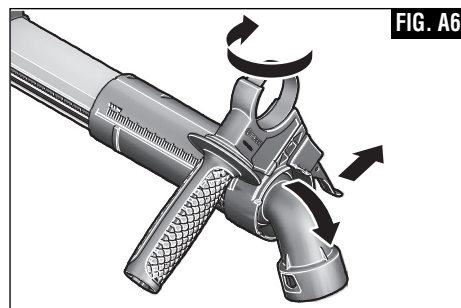
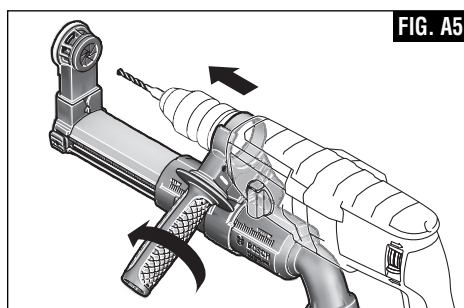
**FIG. A2****FIG. A3**

**HDC100****Assembly****INSTALLING ON THE LEFT OR RIGHT SIDE**

You can assemble the attachment to the tool so that the auxiliary handle can be gripped with either the left hand for right-handed operators or the right hand for left-handed operators (Fig. A4). The attachment comes assembled for right-handed operation (the side handle is gripped with the left hand).

To assemble the attachment so that the

auxiliary handle is gripped with the right hand, loosen the handle and remove the attachment from the tool (Fig. A5). Open the housing clamp lever and remove the auxiliary handle assembly from the housing (Fig. A6). Rotate the handle assembly 180 degrees and slide back onto the housing (Fig. A7). Secure the housing to the handle by closing the housing clamp lever (Fig. A8).



**HDC100****Assembly****DUST CAP FOR SMALL DRILL BITS**

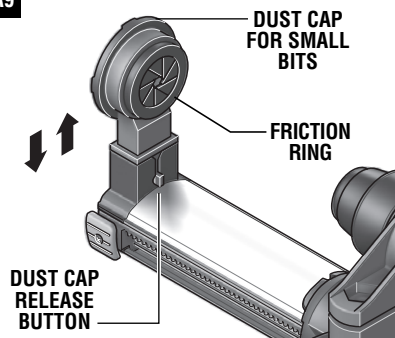
Your tool is equipped with a standard dust cap for use with with small diameter drill bits. To change the dust cap, push the release button and pull the dust cap out of the dust extraction system.

To insert the dust cap, push it into the end of the dust extraction system until you hear it lock into place (Fig. A9).

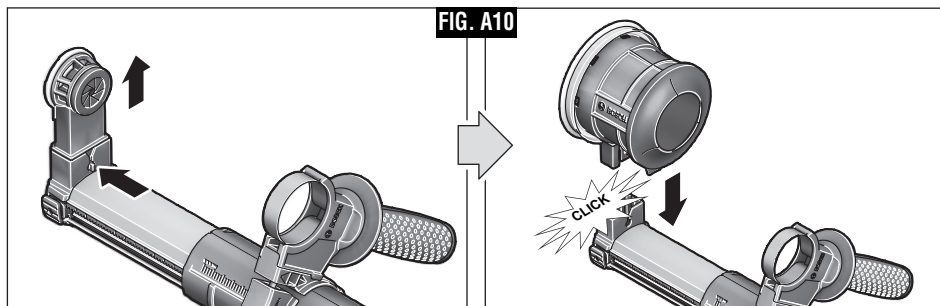
**DUST CAP FOR CORE BITS  
1-1/2" MAXIMUM CAPACITY**

When using core bits, the dust cap for small drill bits must be removed and replaced with a special dust cap for core bits.

To insert the dust cap for core bits, push it from above into the dust extraction system until you hear it click into place (Fig. A10).

**FIG. A9**

To remove of the dust cap for core bits, push the release latch outward and pull off the dust cap.

**FIG. A10****HDC100****Operating Instructions**

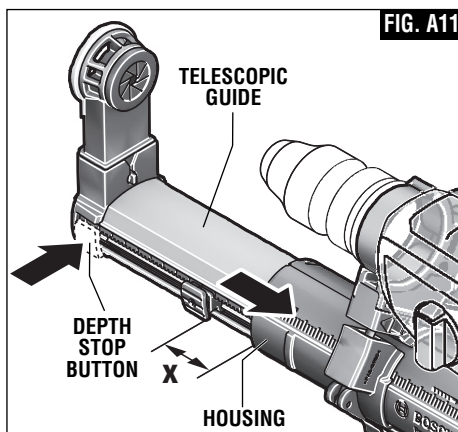
The dust extraction system retracts during operation so that the dust cap is always kept close to surface being drilled.

For maximum dust extraction efficiency, please observe the following:

- The drill bit being used may not project beyond the dust cap
- Pay attention that the dust cap faces flush against the workpiece or the wall. At the same time, this makes working at a right angle easier.
- After reaching desired drilling depth, first pull the drill bit out of the hole and then switch the tool off.
- Maximum drilling depth is approximately 4-3/4".

**DEPTH GAUGE**

Your drilling depth X can be pre-set and/or repeated by using the depth gauge (Fig. A11).

**FIG. A11**

Make sure the accessory has been fully inserted into the chuck before setting the depth gauge.

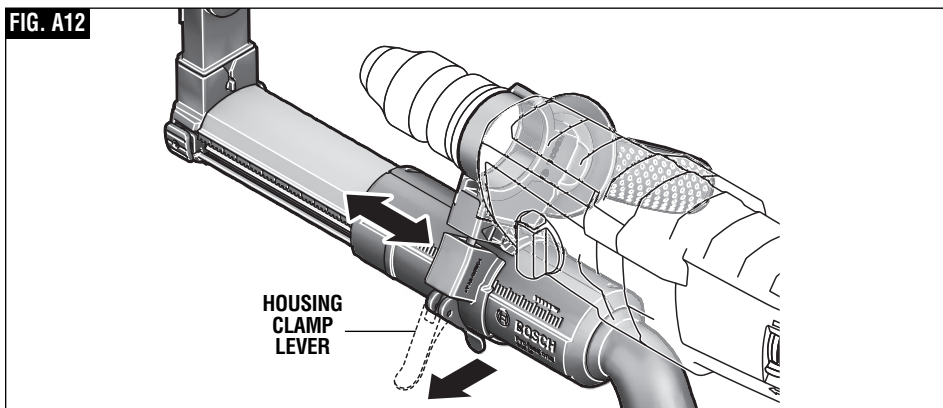
**HDC100****Operating Instructions**

Set the depth gauge by compressing the telescopic guide toward the tool. When the desired length of the bit is exposed, press and slide the depth stop button against the guide housing and release the button (Fig. A11). The depth gauge is spring loaded and will return to the fully extended position when pressure has been released. (When drilling, the telescopic guide will compress until it engages the depth stop button.)

**ADJUSTING THE TELESCOPIC GUIDE TO THE BIT LENGTH**

The length of the telescopic guide can be adjusted to desired bit lengths (maximum bit length is 10", 8" useable).

To adjust length, open the housing clamp lever and slide the housing forwards or backwards for the desired positioning of the attachment. Secure the housing by closing the housing clamp lever. Note: the tip of the bit should match the side of the dust cap that touches the work surface (Fig. A12).

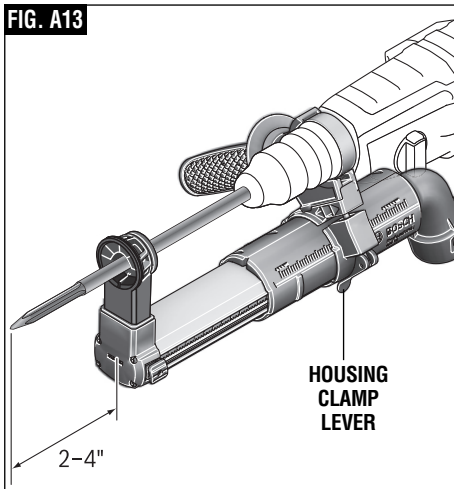
**FIG. A12****CHIPPING APPLICATION**

The HDC100 can be used with your SDS-plus® rotary hammer for chipping applications in concrete/masonry (see 'Hammer Dust Extraction Attachments Compatibility' chart for specific models).

**Note:** only use with pointed or narrow flat chisels.

- Remove the gray dust seal from the HDC100 attachment (see Fig. A1).
- Insert the chisel into the tool – follow the same steps as for inserting a drilling bit).
- Adjust the telescoping guide so that the chisel extends beyond the dust cap by 2"-4" (Fig. A13). Open the housing clamp lever and slide the housing forwards or backwards for the desired position. Secure the housing by closing the housing clamp lever.

**Note:** the dust collection attachment used in a chipping application is designed to capture the airborne dust and not the larger bits and pieces of concrete that fall off in the removal process.

**FIG. A13**



**HDC100****Operating Instructions****USE WITH A DUST EXTRACTOR  
(Not included)**

Insert the dust extractor hose from the dust extractor into the dust port of the dust extraction unit (Fig. A14).

The Bosch dust extractor hose comes with a sleeve nozzle attached to a snap-in connector (Fig. A14). The sleeve nozzle provides the quickest, easiest connection of the nozzle to the attachment. The snap-in connector provides a more secured connection. To use the snap-in connector, remove the rubber nozzle from the dust extractor hose. Press the snap-in connector into the dust port until you hear the click.

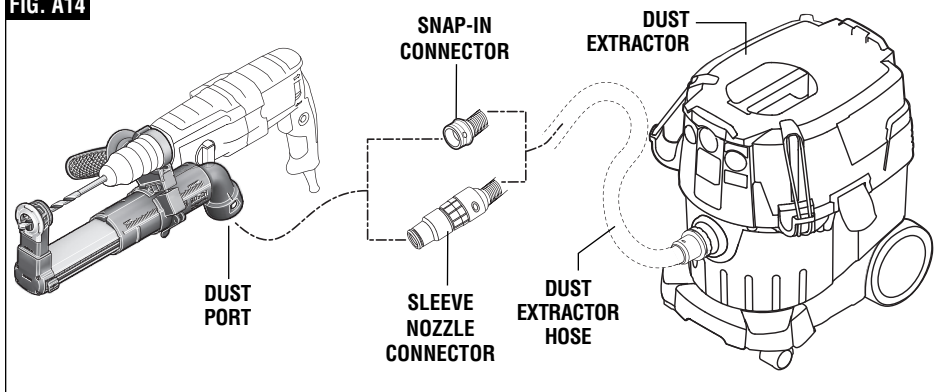
Dust port adaptors are also available to connect the Bosch dust extraction attachment to any common size dust extractor hose. See [Boschtools.com](http://Boschtools.com) for details.

Turn the dust extractor on and place the tool / attachment over the desired drilling location so that bit is lined up with the center of the hole to be drilled. Follow all tool safety and operating instructions.

**Note:** for best results, continue running the tool even when removing the bit from the hole. The combination of the vacuum with the spinning motion of the bit helps remove a majority of the dust from the hole.

The dust extractor must be suitable for the material being drilled.

Following a few simple tips will reduce wear on the tool and the chance of injury to the operator.

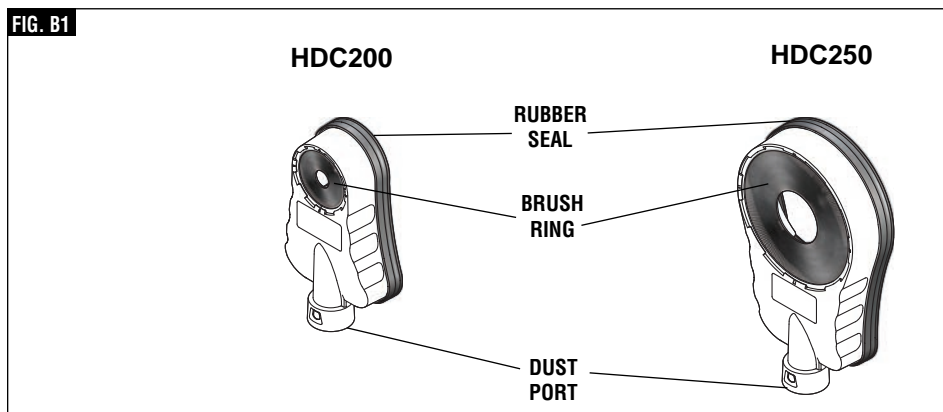
**FIG. A14**

## HDC200 / HDC250 Functional Description and Specifications

**⚠ WARNING** To reduce the risk of injury user must read instruction manual for the use of the tool with this attachment.

SAVE THESE INSTRUCTIONS

FIG. B1



### Drilling Capacity

	HDC 200	HDC250
Optimized	1/4" — 1-3/8"	2-1/4" — 5"
Maximum	2-5/8" *	6" **
	* brush ring must be removed for diameters larger than 1-3/8"	** brush ring must be removed for diameters larger than 5"

**HDC200 / HDC250****Operating instructions**

**⚠ WARNING** Disconnect the plug from the power source before making any assembly, adjustments or changing accessories. Such preventive safety measures reduce the risk of starting the tool accidentally.

The HDC200, HDC250 Bosch dust extraction attachments are designed to be used in drilling applications in concrete and masonry type materials.

The HDC200 is optimized for use with drill bit diameters from 1/4" to 1-3/8". The maximum bit diameter is 2-5/8" (brush ring must be removed for diameters larger than 1-3/8").

The HDC250 is designed for use with large diameter bits including diamond and carbide tipped core bits. It is optimized for bit diameters from 2-1/4" to 5". The maximum bit diameter is 6" (brush ring must be removed for diameters larger than 5").

Insert the dust extractor hose from the dust extractor into the dust port of the dust extraction unit (Fig. B2).

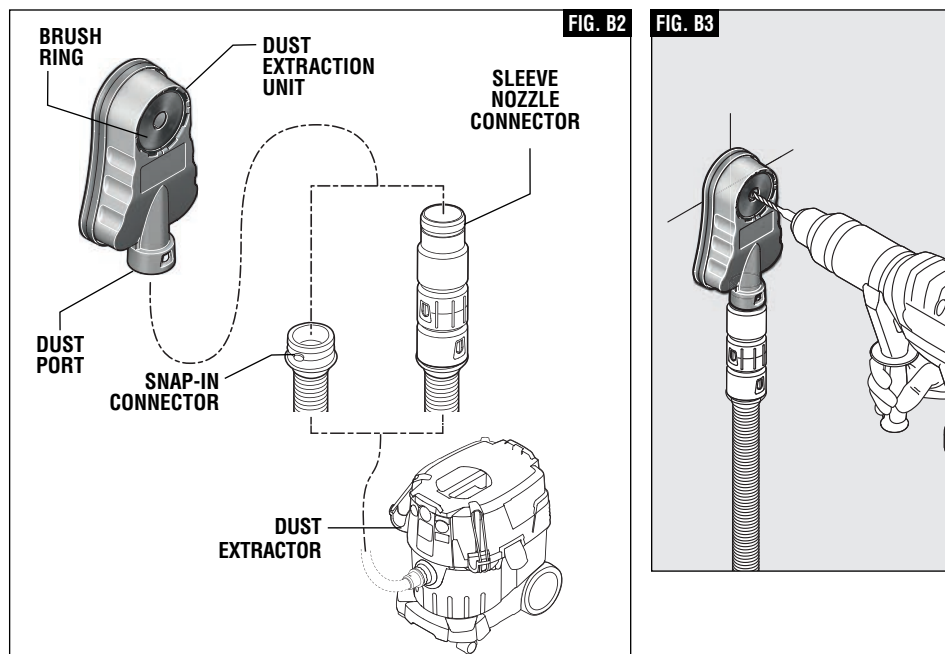
The Bosch dust extractor hose comes with a sleeve nozzle attached to a snap-in connector. The sleeve nozzle provides the quickest and easiest connection of the

nozzle to the attachment. The snap-in connector provides a more secured connection. To use the snap-in connector, remove the rubber nozzle from the dust extractor hose. Press the snap-in connector into the dust port until you hear the click.

Dust port adaptors are also available to connect the Bosch dust extraction attachment to any common size dust extractor hose. See [Boschtools.com](http://Boschtools.com) for details.

Turn the dust extractor on and place the attachment on the wall (or the floor), over the desired drilling location so that the center of the hole lines up with the center of the opening of the brush ring. Note: the suction from the dust extractor will hold the attachment in place on the work surface. Place the drill bit through the opening in the brush ring in the desired drilling location and drill the desired hole (Fig. B3). Follow all tool safety and operating instructions.

**Note:** for best results, continue running the tool even when removing the bit from the hole. The combination of the vacuum with the spinning motion of the bit helps remove a majority of the dust from the hole.

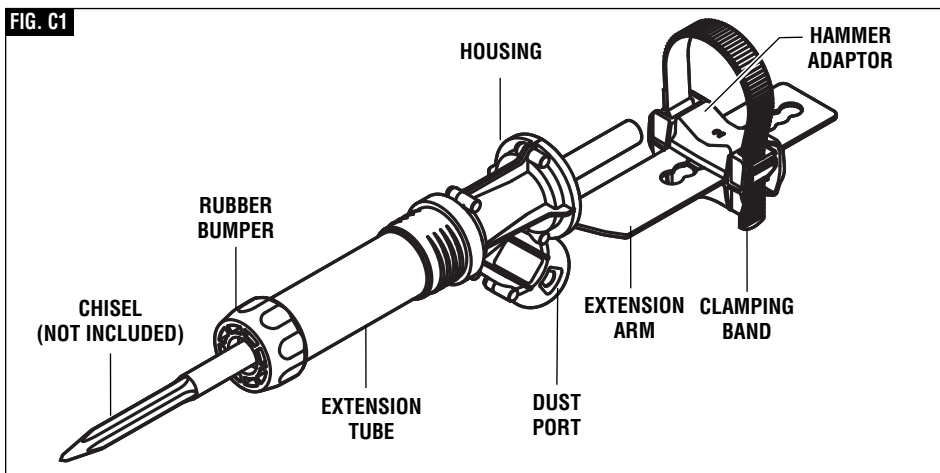


**HDC300****Functional Description and Specifications**

**WARNING** To reduce the risk of injury user must read instruction manual for the use of the tool with this attachment.

SAVE THESE INSTRUCTIONS

FIG. C1

**HDC300****Assembly**

**WARNING** Disconnect the plug from the power source before making any assembly, adjustments or changing accessories. Such preventive safety measures reduce the risk of starting the tool accidentally.

To use the HDC300 with compatible Bosch hammers, the attachment comes with a total of 3 hammer adaptors. Use the appropriate

size adaptor for the appropriate size hammer (Fig. C2).

To change the hammer adaptor, remove the adaptor from the metal extension arm by using a flat edge screwdriver and wedging it between the metal arm and the adaptor. Insert the desired hammer adaptor into the slot on the metal arm (Fig. C3).

FIG. C2

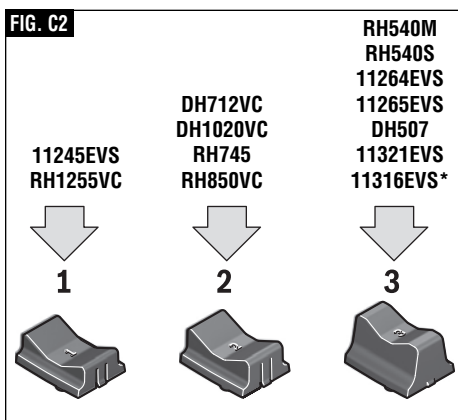
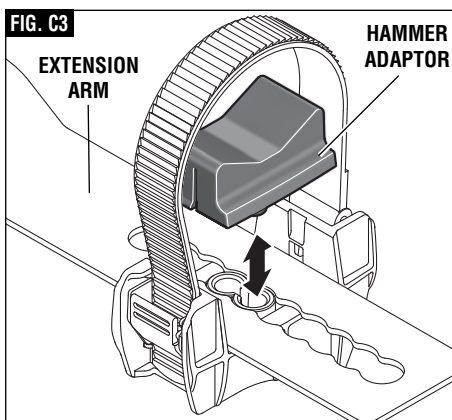
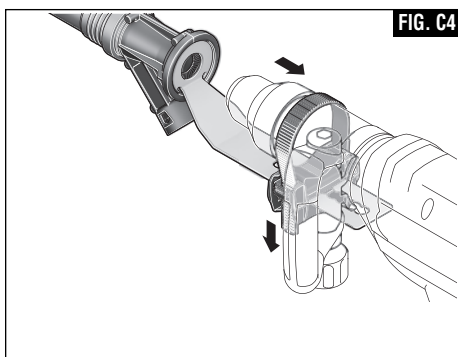
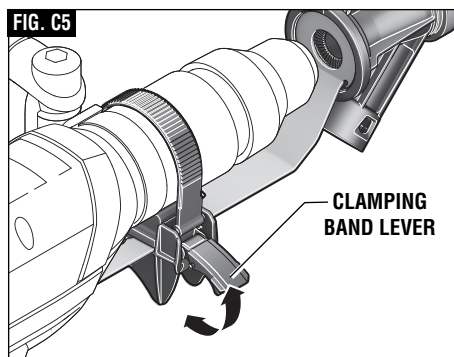


FIG. C3



**HDC300****Assembly**

Open fully the clamping band lever on the attachment. Slide the clamping band over the chuck and onto the hammer tube of the hammer (Fig. C4). Close the clamping band lever to secure the attachment to the tool. Test to ensure no slippage (Fig. C5). If



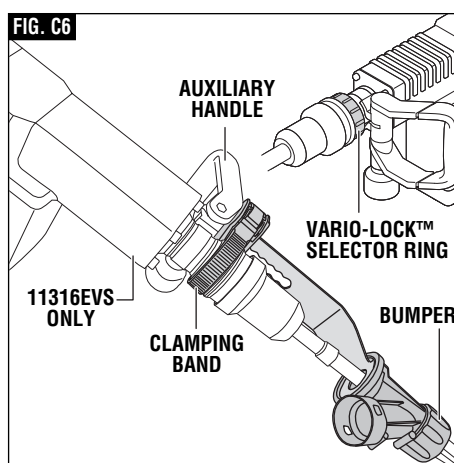
necessary, you may have to tighten or loosen the band within the clamp mechanism to achieve the most secure fit.

\* **For installation of HDC300 on the Bosch 11316EVS only:**

Since 11316EVS is not equipped with a hammer tube, the clamping band needs to wrap around the vario-lock™ selector ring (Fig. C6).

Open fully the clamping band lever on the attachment. Slide the clamping band over the chuck and onto the vario-lock™ selector ring. Rotate the attachment so that the metal extension arm is aligned with the auxiliary handle (Fig. C6). Adjust metal extension arm so that the rubber bumper of the attachment is positioned at the desired distance from the chisel tip for optimum dust collection. Close the clamping band lever to secure the attachment to the tool.

**Note:** when using the vario-lock™ function on 11316EVS (the ability to rotate the chisel to an ergonomic working position), the HDC300 attachment will have to be temporarily removed from the



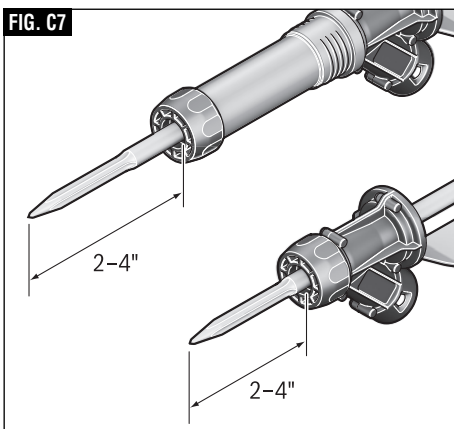
tool. Follow the instructions for vario-lock™ from the 11316EVS operating instructions to rotate the chisel. Reinstall and secure the attachment before resuming work.

**HDC300****Operating instructions**

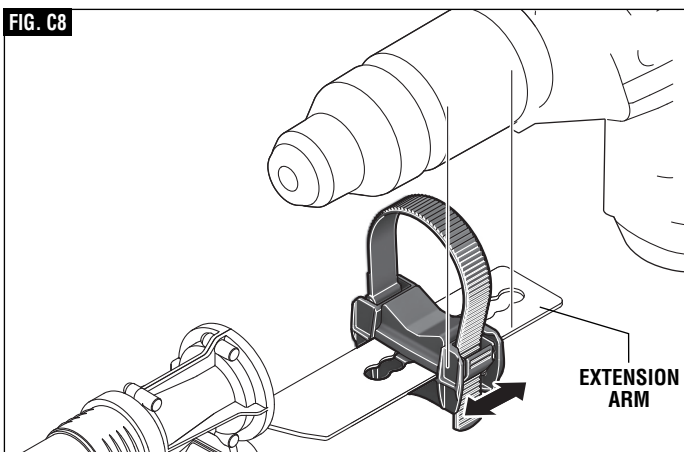
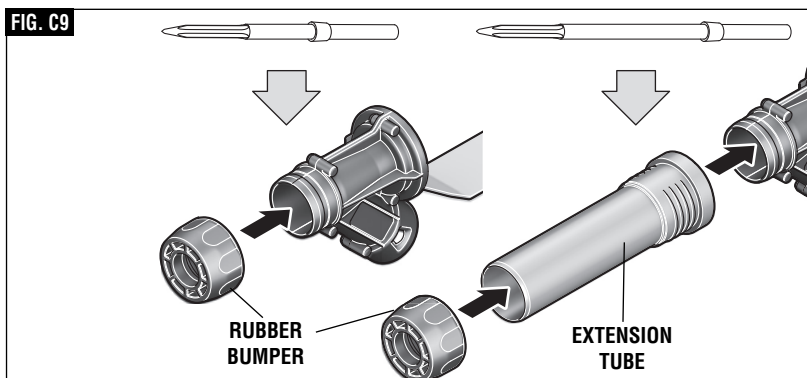
**Chiseling only:** The HDC300 is designed to be used for chiseling in masonry and concrete materials with either SDS-max or Spline chisels.

The dust extraction attachment should be positioned approximately 3" from the tip of the bit for best dust extraction results (Fig. C7). You can adjust the positioning of the attachment by opening the clamping band lever and sliding the attachment forwards or backwards on the hammer tube. For extending the adjustment, the extension arm can be moved forwards or backwards within the clamping band mechanism. When complete, close the clamping band lever to re-secure the attachment to the tool (Fig. C8).

For extra long chisels, the HDC300 comes with an extension tube. Remove the rubber bumper from the housing. Install the

**FIG. C7**

extension tube by sliding the wide opening onto the housing end. Re-install the rubber bumper onto the tip of the extension tube (Fig. C9).

**FIG. C8****FIG. C9**

**HDC300****Operating instructions**

Insert the dust extractor hose from the dust extractor into the dust port of the dust extraction unit (Fig. C10).

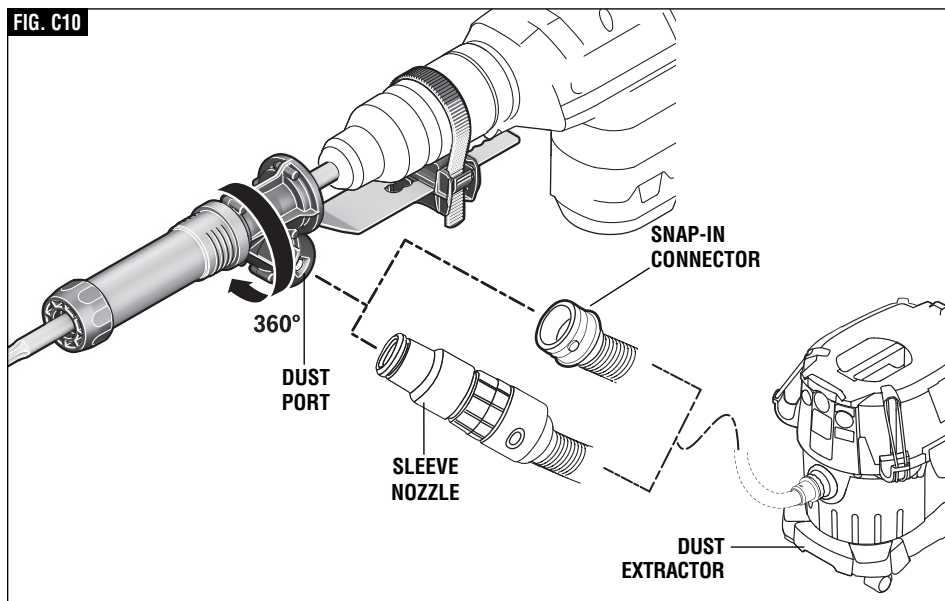
The Bosch dust extractor hose comes with a sleeve nozzle attached to a snap-in connector (Fig. C10). The sleeve nozzle provides the quickest, easiest connection of the nozzle to the attachment. The snap-in connector provides a more secured connection.

To use the snap-in connector, remove the rubber nozzle from the dust extractor hose.

Press the snap-in connector into the dust port until you hear the click.

Dust port adaptors are also available to connect the Bosch dust extraction attachment to any common size dust extractor hose. See [Boschtools.com](http://Boschtools.com) for details.

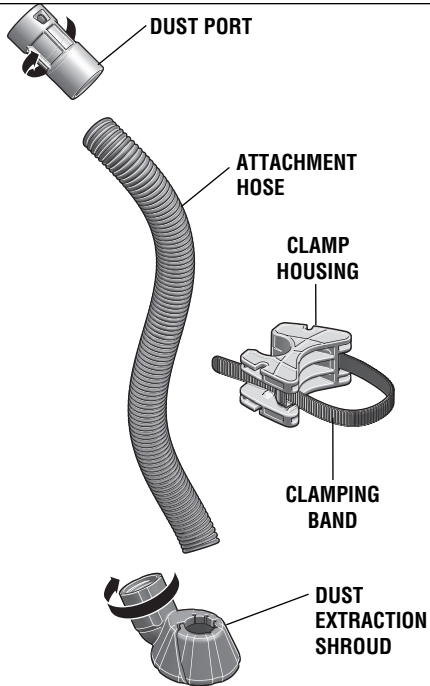
Turn the dust extractor on and place the tool / attachment over the desired chiseling location. Follow all tool safety and operating instructions.



**HDC400****Functional Description and Specifications**

To reduce the risk of injury user must read instruction manual for the use of the tool with this attachment.

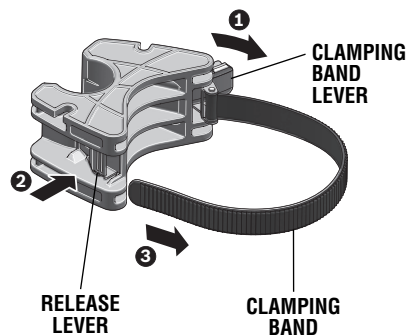
SAVE THESE INSTRUCTIONS

**FIG. D1****HDC400****Assembly**

**Disconnect the plug from the power source before making any assembly, adjustments or changing accessories.** Such preventive safety measures reduce the risk of starting the tool accidentally.

Note: make sure the desired chisel is installed on the hammer before assembling the dust collection attachment.

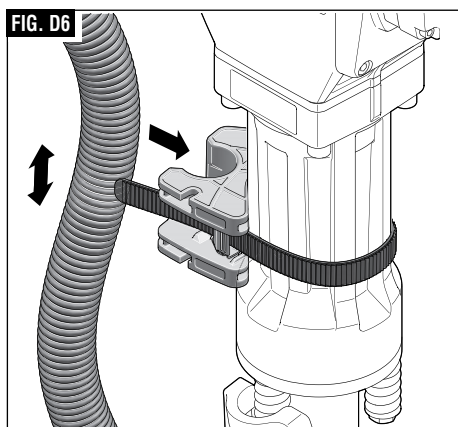
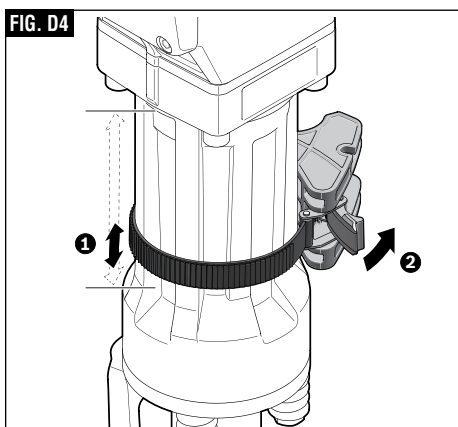
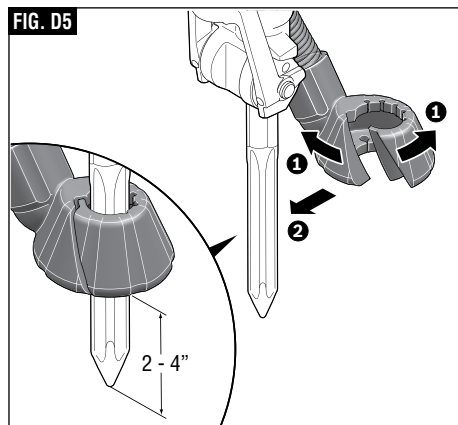
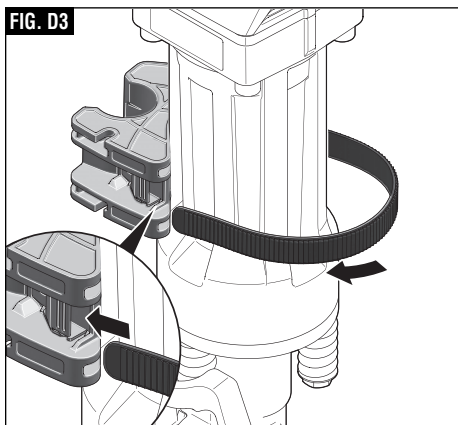
Open fully the clamping band lever on the clamp housing. Push the release lever and pull the clamping band out. See figure D2. Position the attachment on the hammer tube of the tool, wrap the clamping band around

**FIG. D2**



**HDC400****Assembly**

the hammer tube and insert it back into the release lever. The clamping band should be resting loosely on the hammer tube. Then close the clamping band lever to secure the attachment on the tool. Test to ensure no slippage (Fig. D3, D4). If necessary, you may have to tighten or loosen the band in the release lever to achieve the most secure fit.



Insert the dust extraction shroud on the 1-1/8" hex chisel (Fig. D5). For optimum dust collection results, the shroud should be positioned within 2" – 4" from the chisel tip. Insert the attachment hose into the clamp housing (Fig. D6). Note: there should be little or no slack of the hose between the clamp housing and the shroud.

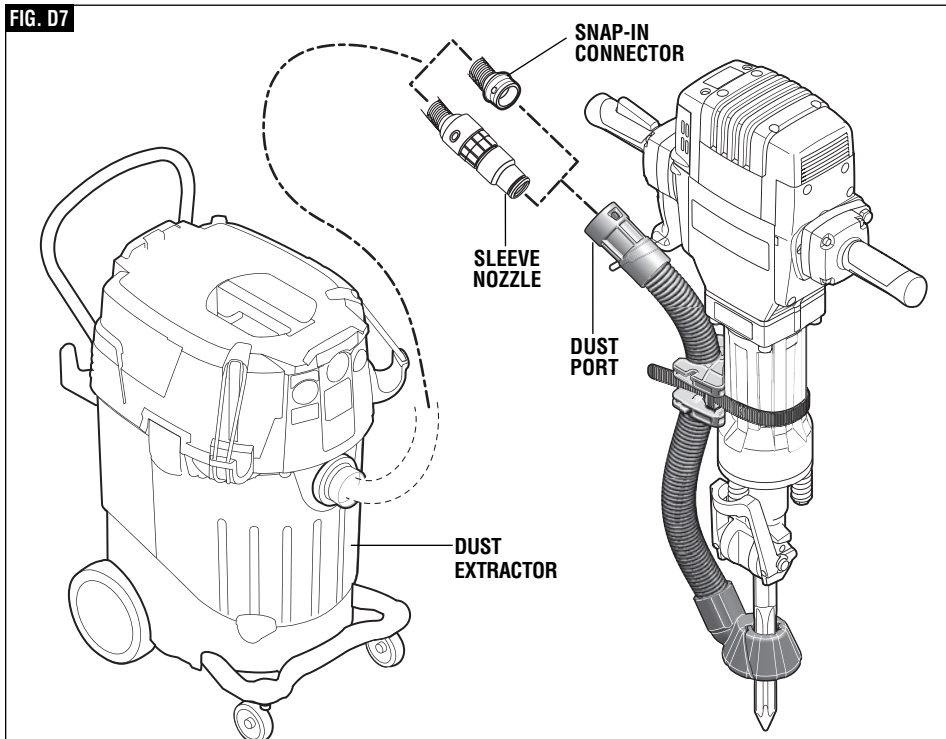
**HDC400****Operating instructions**

**Chiseling only:** The HDC400 is designed to be used for chiseling/demolition of concrete and masonry materials with 1-1/8" hex chisels.

The dust extraction attachment should be positioned approximately 2-4" from the tip of the bit for best dust extraction results (Fig. D5). You can adjust the positioning of the attachment by opening the clamping band lever and sliding the attachment up or down

on the hammer tube. When complete close the clamping band lever to re-secure the attachment to the tool (Fig. D4)

For extending the adjustment, the hose can also be moved up or down within the clamp housing. Remove the hose from the housing, position the hose so that the shroud is positioned for optimum dust collection, then insert the hose back into the clamp housing (Fig. D6).

**FIG. D7**

Insert the dust extractor from the dust extractor into the dust port of the dust extraction unit (Fig. D7).

The Bosch dust extractor hose comes with a sleeve nozzle attached to a snap-in connector (Fig. D7). The sleeve nozzle provides the quickest, easiest connection of the nozzle to the attachment. The snap-in connector provides a more secured connection.

To use the snap-in connector, remove the rubber nozzle from the dust extractor hose.

Press the snap-in connector into the dust port until you hear the click.

Dust port adaptors are also available to connect the Bosch dust extraction attachment to any common size dust extractor hose. See [Boschtools.com](http://Boschtools.com) for details.

Turn the dust extractor on and place the tool / attachment over the desired chiseling location. Follow all tool safety and operating instructions.

## Tool Tips

### DRILLING WOOD OR PLASTIC

**Do not drill into wood with dust extraction system mounted.** Wood chips are typically too large and will clog the dust channel.

**CAUTION** If backing block is not used, ease up on the pressure just before the bit breaks through the wood to avoid splintering. Complete the hole from the opposite side immediately after the point breaks through. If bit binds, reverse the drilling operation to help remove the bit from the work.

### DRILLING METAL

**WARNING** Do not drill into metal with the dust extraction system mounted. Hot metal chips can self-ignite or ignite parts of the dust extraction system.

## Maintenance

### Service

**WARNING** Preventive maintenance performed by unauthorized personnel may result in misplacing of internal wires and components which could cause serious hazard. We recommend that all tool service be performed by a Bosch Factory Service Center or Authorized Bosch Service Station.

### Cleaning

**WARNING** To avoid accidents always disconnect the tool from the power supply before cleaning or performing any maintenance.

The tool may be cleaned most effectively with compressed dry air. **Always wear safety goggles when cleaning tools with compressed air.**

Ventilation openings and switch levers must be kept clean and free of foreign matter. Do not attempt to clean by inserting pointed objects through openings.

**CAUTION** Certain cleaning agents and solvents damage plastic parts. Some of these are: gasoline, carbon tetrachloride, chlorinated cleaning solvents, ammonia and household detergents that contain ammonia.

## Symboles relatifs à la sécurité

Les définitions ci-dessous décrivent le niveau de gravité pour chaque terme signalant un danger. Veuillez lire le mode d'emploi et lire la signification de ces symboles.

	<p>C'est le symbole d'alerte relatif à la sécurité. Il est utilisé pour vous avertir de l'existence possible d'un danger de lésion corporelle. Obéissez à tous les messages relatifs à la sécurité qui suivent ce symbole pour éviter tout risque de blessure ou même de mort.</p>
	<p>DANGER indique une situation dangereuse qui, si elle n'est pas évitée, causera la mort d'une personne ou une blessure grave.</p>
	<p>AVERTISSEMENT indique une situation dangereuse qui, si elle n'est pas évitée, pourrait causer la mort d'une personne ou une blessure grave.</p>
	<p>MISE EN GARDE indique une situation dangereuse qui, si elle n'est pas évitée, pourrait causer une blessure légère ou modérée.</p>

## Consignes générales de sécurité

**AVERTISSEMENT** Pour réduire le risque de blessure, lisez ces instructions et le mode d'emploi de votre outil avant d'utiliser le système d'extraction de la poussière du marteau avec l'outil.

### CONSERVER CES INSTRUCTIONS

Portez des lunettes et une protection contre la poussière. Débranchez l'outil électrique avant d'assembler ou de démonter un accessoire, une fixation et avant effectuer des réglages.

Utilisez un extracteur de poussière ou un autre appareil de récupération de la poussière afin de réduire l'exposition aux poussières de carbure de silice ou à d'autres poussières dangereuses créées lors de l'utilisation de l'outil avec cet accessoire et cet attachement.

**AVERTISSEMENT** Les travaux à la machine tel que ponçage, sciage, meulage, perçage et autres travaux du bâtiment peuvent créer des poussières contenant des produits chimiques qui sont des causes reconnues de cancer, de malformation congénitale ou d'autres problèmes reproductifs. Ces produits chimiques sont, par exemple :

- Le plomb provenant des peintures à base de plomb,
- Les cristaux de silices provenant des briques et du ciment et d'autres produits de maçonnerie, et
- L'arsenic et le chrome provenant des bois traités chimiquement.

Le niveau de risque dû à cette exposition varie avec la fréquence de ces types de travaux. Pour réduire l'exposition à ces produits chimiques, il faut travailler dans un lieu bien ventilé et porter un équipement de sécurité approprié tel que certains masques à poussière conçus spécialement pour filtrer les particules microscopiques.

Utilisez seulement pour l'extraction des matériaux de maçonnerie ou équivalents. N'utilisez pas pour des matériaux dangereux. Sécurisez l'accessoire de façon appropriée sur l'outil avant de vous en servir. Référez-vous aux instructions pour la capacité de ciselage. Suivez toutes les instructions de l'outil/extracteur de poussière.

## Consignes de sécurité particulières pour la fixation

**Si des dispositifs sont fournis pour raccorder des systèmes d'extraction et de collecte de poussière, veillez à ce que ces systèmes soient raccordés et utilisés conformément aux instructions d'utilisation de l'outil et de l'extracteur de poussière.** Une utilisation appropriée d'un système de dépoussiérage contribue à réduire les risques associés à la poussière.

**Si des dispositifs sont fournis pour raccorder des systèmes d'extraction et de collecte de poussière, videz le réservoir à poussière avant de commencer à travailler, fréquemment pendant le travail, à la fin du travail et avant de ranger l'outil.** Prenez toutes les précautions nécessaires avant de jeter de la poussière car divers matériaux sous forme de fines particules peuvent être explosifs.

**Ne jetez pas de poussière sur un feu à foyer ouvert.** La combustion de mélanges de vernis, de laques, de polyuréthane, d'huile ou d'eau avec des particules de poussière peut se produire en cas de décharge statique, d'étincelle électrique ou de chaleur excessive.

**N'utilisez pas de système d'extraction de poussière pour des opérations dans le cadre desquelles la poussière pourrait inclure des particules en train de brûler, de fumer ou de couler, comme des cendres chaudes ou des étincelles.** Un incendie pourrait se déclencher à l'intérieur du réservoir à poussière ou du sac de l'extracteur de poussière. Une combustion couvante dans la poussière risquerait de mettre feu à l'extracteur de poussière longtemps après la fin du travail.

**N'utilisez pas de système d'extraction de poussière avec des poussières explosives, du vernis, des**

**enduits à base de polyuréthane, des produits de nettoyage ou de la peinture à l'huile.** Des moteurs électriques produisent des étincelles qui pourraient mettre feu à la poussière ou à des fumées.

**N'utilisez pas de système d'extraction de poussière lorsque vous travaillez sur du métal.** Les copeaux produits par de opération de perçage peuvent être très chauds et créer des étincelles capables de faire fondre des adaptateurs en plastique ou des tuyaux flexibles d'extracteur de poussière, et de causer un incendie à l'intérieur du réservoir à poussière ou du sac de l'extracteur de poussière.

**Ne pas percer dans du métal avec le dispositif d'extraction de la poussière installé.** Des fragments de métal très chauds risqueraient de s'enflammer ou de mettre feu à certaines parties du dispositif d'extraction de la poussière.

**Ne pas percer dans du bois avec le dispositif d'extraction de la poussière installé.** La plupart des copeaux de bois sont trop grands et causeraient l'obstruction du canal de dépoussiérage.

**N'utilisez pas pour nettoyer de l'amiante.**

**HDC100** : peut être utilisé pour les applications de perçage et de déchiquetage;

**HDC200. HDC250** : ne peut être utilisé que pour les applications de perçage – ne l'utilisez pas pour ciseler, visser ou couper des filets.

**HDC300. HDC400** : ne peut être utilisé que pour les applications de ciselage ou de démolition (voir le tableau pour plus de détails) – ne l'utilisez pas pour percer, visser ou couper des filets.

## Compatibilité des attachements d'extraction de poussière du marteau

Application ►	Perçage seulement	Perçage / déchiquetage <sup>1</sup>	Perçage seulement	Ciselage seulement <sup>1</sup>	Démolition
Attachement ► Compatible avec ▼	GDE18V-16	HDC100	HDC200 / HDC250 <sup>2</sup>	HDC300	HDC400
<b>Marteaux perforateurs</b>	-	-	1191VSR, HD18-2, HD19-2, HD21-2	-	-
<b>Marteaux câblés SDS-plus®</b>		<i>Utilisation dans le mode de perçage par marteau :</i> 11250VSR, 11253VSR, 11255VSR, RH226, RH228VC, GBH2-28L, RH328VC, RH328VCQ	<i>Utilisation dans le mode de perçage par marteau :</i> 11250VSR, 11253VSR, 11255VSR, RH226, RH228VC, GBH2-28L, RH328VC, RH328VCQ, RH432VCQ	-	-
<b>Marteaux sans fil SDS-plus®</b>	GBH18V-26	<i>Utilisation dans le mode de déchiquetage :</i> RHH181, GBH18V-20, 11536VSR, 11536C-2, GBH18V-26, RH328VC-36	<i>Utilisation dans le mode de perçage par marteau :</i> RHH181, GBH18V-20, 11536VSR, 11536C-2, GBH18V-26, RH328VC-36	-	-
<b>Marteaux rotatifs SDS-max®</b>	-	-	<i>Utilisation dans le mode de perçage par marteau :</i> RH540M, RH540S, 11264EVS, 11265EVS, RH745, RH850VC, 11245EVS, RH1255VC	<i>Utilisation dans le mode de ciselage :</i> RH540M, RH540S, 11264EVS, 11265EVS, RH745, RH850VC, 11245EVS, RH1255VC	-
<b>Marteaux de démolition SDS-max®</b>	-	-	-	DH507, 11321EVS, DH712VC, DH1020VC, 11316EVS <sup>3</sup>	DH1020VC
<b>Marteaux démolisseurs hexagonaux de 1-1/8 po</b>	-	-	-	-	11335K, BH2760VC, BH2770VC, GSH27-62

<sup>1</sup> Pour le déchiquetage ou le ciselage, utilisez avec des ciseaux plats étroits et pointus.

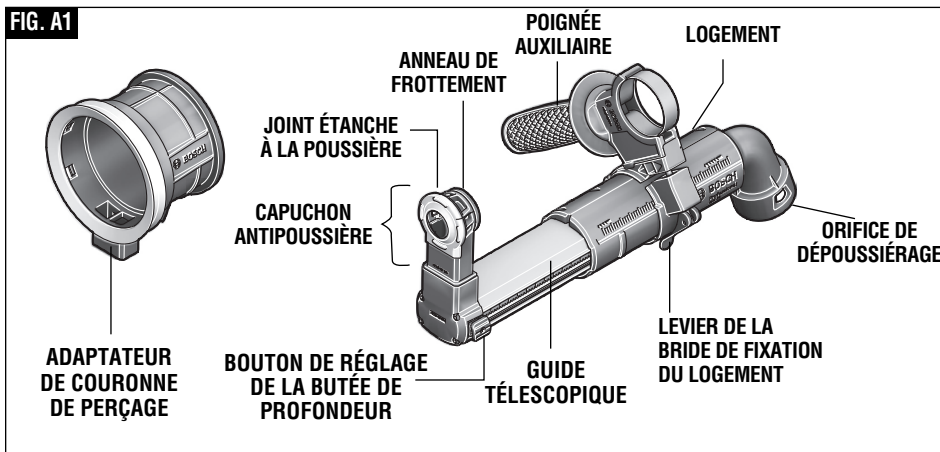
<sup>2</sup> HDC200 et HDC250 sont universels. Ils sont compatibles avec tout outil de perçage utilisé pour percer dans des matériaux tels que du béton ou de la maçonnerie.

<sup>3</sup> Suivez les instructions de montage spéciales de la section consacrée à l'assemblage de l'attachement HDC300 en cas d'utilisation avec 11316EVS.

**HDC100****Description fonctionnelle et spécifications**

**AVERTISSEMENT** Pour réduire le risque de blessure, l'utilisateur doit lire le mode d'emploi afin d'apprendre à employer l'outil avec cet accessoire.

CONSERVER CES INSTRUCTIONS

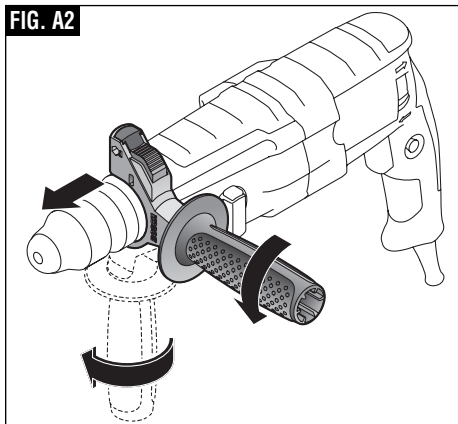
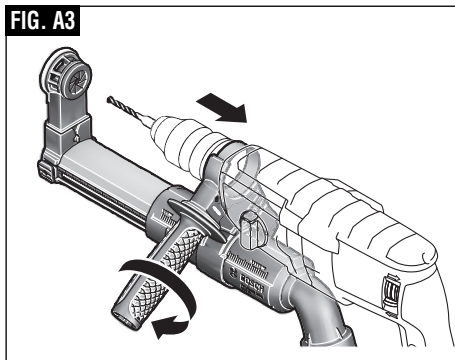
**Accessoire de dé poussiérage HDC100****FIG. A1****HDC100****Montage**

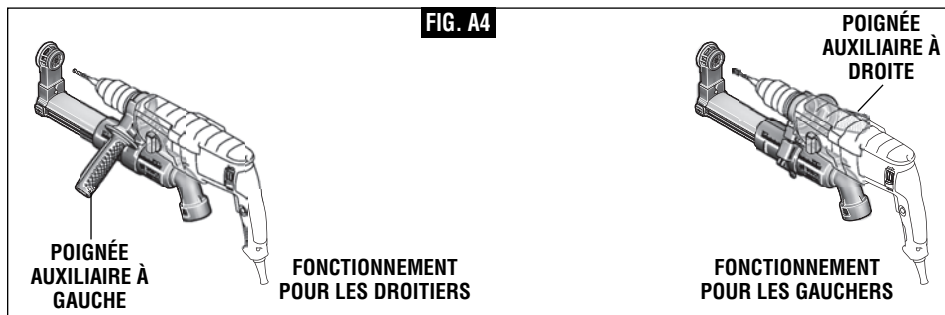
**AVERTISSEMENT** Débranchez la fiche de la prise de courant avant d'effectuer quelque assemblage ou réglage que ce soit ou de changer les accessoires. Ces mesures de sécurité préventive réduisent le risque d'une mise en marche accidentelle de l'outil.

**RETRAIT ET INSTALLATION DU SYSTÈME DE DÉPOUSSIÉRAGE**

Commencez par retirer la poignée auxiliaire qui est fournie de façon standard avec l'outil. Pour la retirer, desserrez le dispositif à préhension manuelle et détachez la poignée de l'outil (Fig. A2).

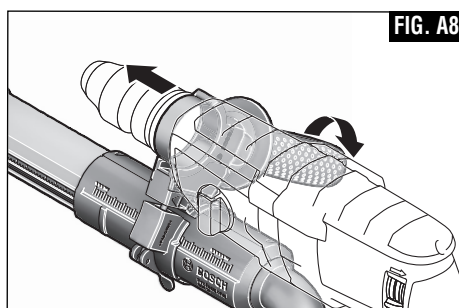
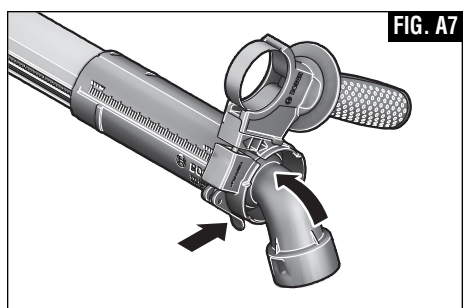
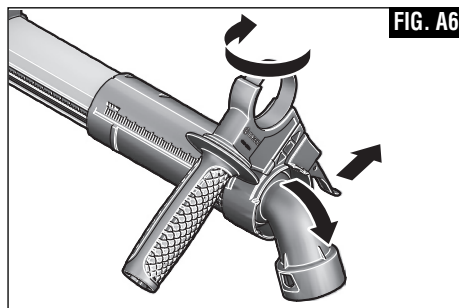
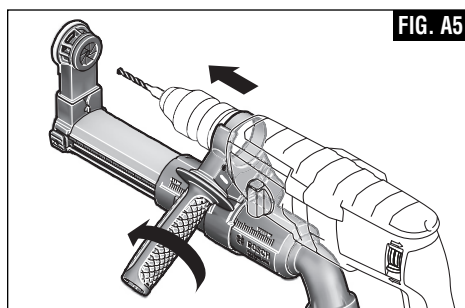
Pour installer l'accessoire de dé poussiérage, faites glisser la bande de fixation de la poignée auxiliaire par-dessus le mandrin jusqu'à ce que la bande repose sur le barillet de l'outil. Puis serrez à fond le dispositif à préhension manuelle (Fig. A3).

**FIG. A2****FIG. A3**

**HDC100****Montage****INSTALLATION DU CÔTÉ GAUCHE OU DU CÔTÉ DROIT**

Vous pouvez monter l'accessoire sur l'outil de façon que la poignée auxiliaire puisse être saisie soit de la main gauche pour les opérateurs droitiers, soit de la main droite pour les opérateurs gauchers (Fig. A4). L'accessoire est monté à l'usine pour utilisation par des opérateurs droitiers (la poignée latérale est saisie avec la main gauche).

Pour monter l'accessoire afin que la poignée auxiliaire soit saisie avec la main droite, desserrez la poignée et retirez l'accessoire de l'outil (Fig. A5). Ouvrez le levier de la bride de fixation du logement et détachez l'ensemble de poignée auxiliaire du logement (Fig. A6). Faites tourner l'ensemble de poignée de 180 degrés et faites-le glisser à nouveau dans le logement (Fig. A7). Attachez le logement de façon sécurisée à la poignée en fermant le levier de la bride de fixation du logement (Fig. A8).





### CAPUCHON ANTIPOUSSIÈRE POUR LES PETITES MÈCHES DE PERÇAGE

Votre outil est pourvu d'un capuchon antipoussière standard pour emploi avec des mèches de perçage de petit diamètre. Pour changer de capuchon antipoussière, appuyez sur le bouton de libération et tirez sur le capuchon antipoussière pour le faire sortir du système de dépoussiérage.

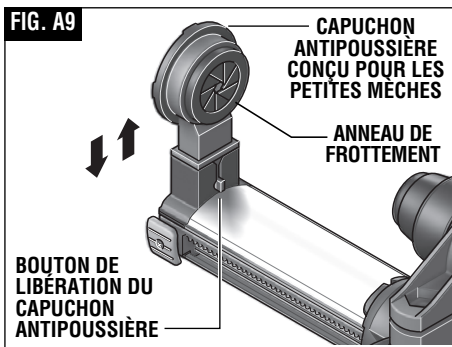
Pour insérer le capuchon antipoussière, poussez-le dans l'extrémité du système de dépoussiérage jusqu'à ce que vous entendiez un déclic indiquant qu'il est bien en place (Fig. A9).

### CAPUCHON ANTIPOUSSIÈRE POUR COURONNE DE PERÇAGE 38MM DE CAPACITÉ MAXIMUM

Lorsque vous utilisez des couronnes de perçage, le capuchon antipoussière conçu pour les petites mèches de perçage doit être retiré et remplacé par un capuchon antipoussière spécial conçu pour les couronnes de perçage.

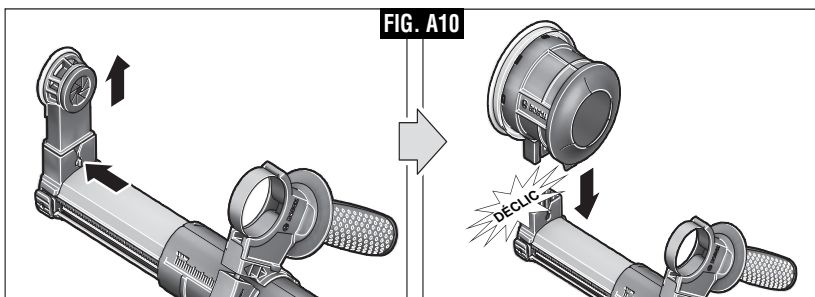
Pour insérer le capuchon antipoussière conçu pour les couronnes de perçage, appuyez dessus depuis le haut

FIG. A9



pour le faire pénétrer dans le système de dépoussiérage jusqu'à ce que vous entendiez un déclic indiquant qu'il est bien en place (Fig. A10).

Pour retirer le capuchon antipoussière conçu pour les couronnes de perçage, poussez le loquet de libération vers l'extérieur et tirez sur le capuchon de dépoussiérage afin de le détacher.



## HDC100

## Instructions d'utilisation

Le système de dépoussiérage se rétracte pendant le fonctionnement de telle façon que le capuchon antipoussière est toujours maintenu près de la surface faisant l'objet du perçage.

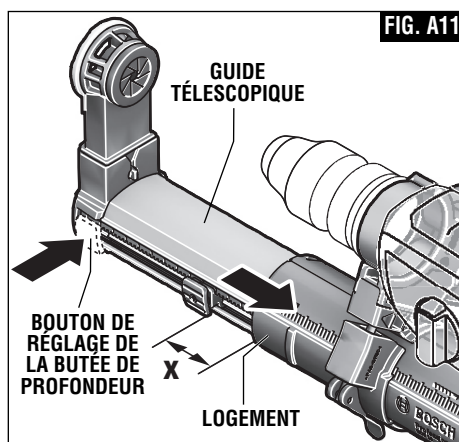
Pour réaliser le dépoussiérage de la manière la plus efficace possible, veuillez observer les instructions suivantes :

- La mèche de perçage utilisée ne doit pas dépasser au-delà du capuchon antipoussière.
- Veillez à ce que le capuchon antipoussière soit au ras de l'ouvrage ou du mur. En même temps, ceci facilite le travail à angle droit.
- Après avoir atteint la profondeur de perçage désirée, tirez sur la mèche pour la faire sortir du trou, puis mettez l'outil hors tension.
- La profondeur de perçage maximum est d'environ 120mm.

### JAUGE DE PROFONDEUR

Votre profondeur de perçage X peut être réglée à l'avance et/ou réutilisée au moyen de la jauge de profondeur (Fig. 11).

Assurez-vous que l'accessoire a été inséré complètement dans le mandrin avant de régler la jauge de profondeur.



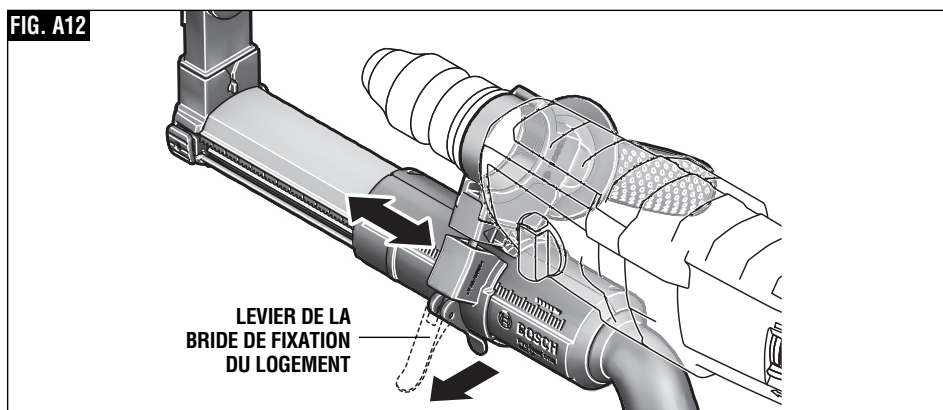
Réglez la jauge de profondeur en comprimant le guide télescopique vers l'outil. Lorsque la longueur voulue de la mèche est exposée, appuyez sur le bouton de réglage de la butée d'arrêt et faites-le glisser contre le logement du guide, puis relâchez le bouton (Fig. A11). La jauge de profondeur comporte un ressort, et elle reviendra dans sa position totalement allongée lorsque la pression aura été relâchée. (Lors du perçage, le guide télescopique se comprimera jusqu'à ce qu'il ait engagé le bouton de réglage de la butée d'arrêt.)

### RÉGLAGE DU GUIDE TÉLESCOPIQUE EN FONCTION DE LA LONGUEUR DE LA MÈCHE

La longueur du guide télescopique peut être ajustée en fonction de la longueur de mèche désirée (la longueur maximum de la mèche est de 254mm, dont 203mm sont utilisables).

Pour ajuster la longueur, ouvrez le levier de la bride de fixation du logement et faites glisser le logement vers l'avant ou vers l'arrière afin de pouvoir placer l'accessoire dans la position désirée. Sécurisez le logement en fermant le levier de la bride de fixation du logement. Remarque : la pointe de la mèche doit correspondre au côté du capuchon antipoussière qui est en contact avec la surface de travail (Fig. A12).

FIG. A12



### APPLICATION DE CISELAGE

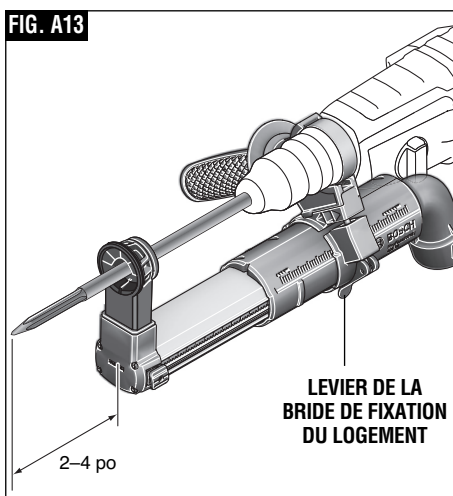
L'attacheement HDC100 peut être utilisé avec votre marteau rotatif SDS-plus® pour des applications de déchiquetage dans le béton/la maçonnerie (voir le tableau consacré à la compatibilité des attacheements/accessoires de fixation pour l'extraction de la poussière des marteaux pour des modèles spécifiques).

**Remarque :** n'utilisez qu'avec des ciseaux plats étroits ou pointus.

- Retirez le dispositif d'étanchéité à la poussière gris de l'attacheement HDC100 (voir Fig. A1).
- Insérez le ciseau dans l'outil – suivez la même procédure que pour l'insertion d'un embout de perçage).
- Ajustez le guide télescopique de telle manière que le ciseau dépasse le bouchon antipoussière de 2 à 4 po (Fig. A13). Ouvrez le levier du dispositif de fixation du boîtier et faites glisser le boîtier vers l'avant ou vers l'arrière pour le mettre dans la position désirée. Sécurisez le boîtier en fermant le levier de fixation du boîtier.

**Remarque :** l'attacheement de collecte de la poussière utilisé dans une application de déchiquetage est conçu

FIG. A13



pour capturer la poussière en suspension dans l'air et non les grands morceaux de béton qui se détachent et tombent pendant le processus d'enlèvement.

**HDC100****Instructions d'utilisation****UTILISATION AVEC UN ASPIRATEUR  
(NON INCLUS)**

Insérez le tuyau de l'extracteur de poussière dans l'orifice de dépoussiérage du système de dépoussiérage (Fig. A14).

Le tuyau de l'extracteur de poussière Bosch est fourni avec un suceur à manchon attaché à un connecteur encliquetable (Fig. A14). Le suceur à manchon fournit la façon la plus rapide et la plus facile de raccorder le suceur à l'accessoire. Le connecteur encliquetable assure une connexion plus sécurisée. Pour utiliser le connecteur encliquetable, détachez le suceur en caoutchouc du tuyau de l'extracteur de poussière. Appuyez sur le connecteur encliquetable pour le faire entrer dans l'orifice de dépoussiérage jusqu'à ce que vous entendiez un déclic.

Des adaptateurs pour orifices de dépoussiérage sont également disponibles pour connecter l'accessoire de dépoussiérage de Bosch à tout tuyau d'extracteur de

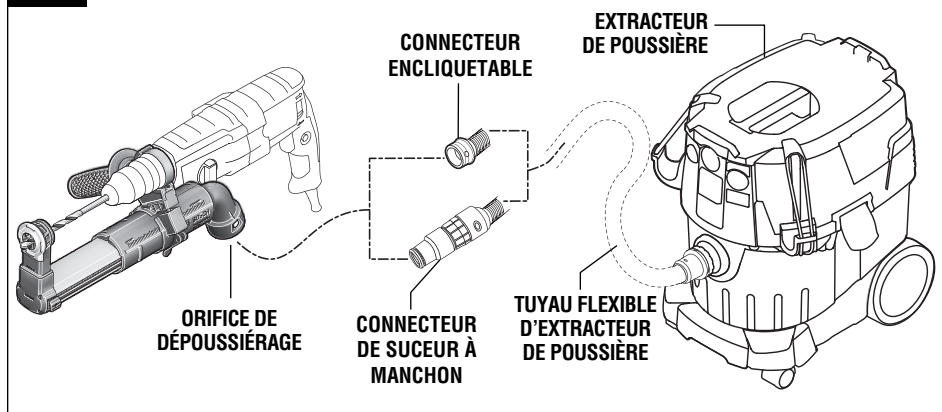
poussière de diamètre standard. Veuillez aller sur le site [Boschtools.com](http://Boschtools.com) pour plus de détails.

Mettez l'extracteur de poussière sous tension et placez l'outil / l'accessoire au-dessus de l'emplacement désiré pour effectuer le perçage de façon que la mèche soit alignée sur le centre du trou à percer. Suivez toutes les instructions d'utilisation de l'outil ainsi que les consignes de sécurité.

**Remarque :** pour obtenir les meilleurs résultats possibles, laissez l'outil en marche même après avoir extrait la mèche du trou. La combinaison de l'aspiration et du mouvement rotatif de la mèche aide à retirer la plus grande partie de la poussière du trou.

L'extracteur de poussière doit être approprié pour le matériau dans lequel vous voulez percer.

Le respect de quelques conseils très simples contribuera à réduire à la fois l'usure de l'outil et les risques de blessure de l'opérateur.

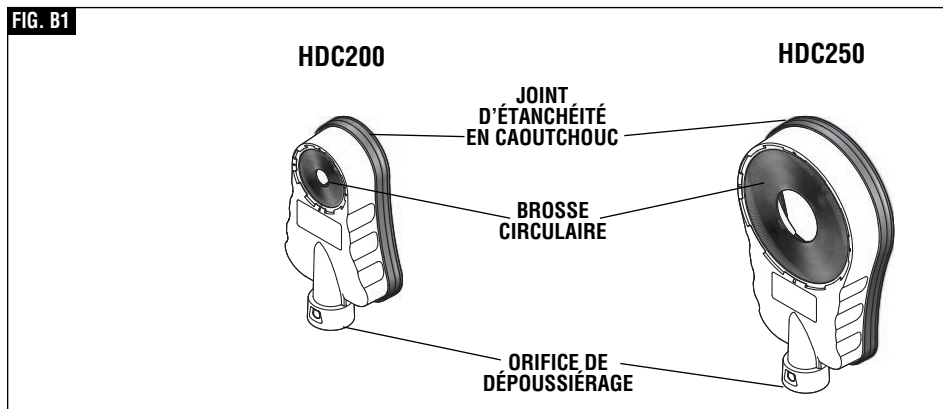
**FIG. A14**

**HDC200 / HDC250****Description fonctionnelle et spécifications**

**⚠ AVERTISSEMENT** Pour réduire le risque de blessure, l'utilisateur doit lire le mode d'emploi afin d'apprendre à employer l'outil avec cet accessoire.

**CONSERVER CES INSTRUCTIONS**

**FIG. B1**



**Capacité de perçage**

	<b>HDC 200</b>	<b>HDC250</b>
Optimisée	6 — 35mm (1/4" — 1-3/8")	57 — 127mm (2-1/4" — 5")
Maximum	66.7mm (2-5/8") *	152mm (6") **
	* La brosse circulaire doit être retirée pour les diamètres de plus de 35mm (1-3/8").	** La brosse circulaire doit être retirée pour les diamètres de plus de 127mm (5 ")

**HDC200 / HDC250****Instructions d'utilisation**

**⚠ AVERTISSEMENT** **Débranchez la fiche de la prise de courant avant d'effectuer quelque assemblage ou réglage que ce soit ou de changer les accessoires.** Ces mesures de sécurité préventive réduisent le risque d'une mise en marche accidentelle de l'outil.

Les accessoires de dépoussiérage HDC200 et HDC250 de Bosch sont conçus pour être utilisés dans des applications de perçage dans des matériaux tels que du béton et de la maçonnerie.

L'accessoire HDC200 est optimisé pour emploi avec des mèches de diamètre compris entre 1/4 po et 1-3/8 po. Le diamètre maximum de la mèche est 2-5/8 po (la brosse circulaire doit être retirée pour les diamètres supérieurs à 1-3/8 po).

L'accessoire HDC250 est conçu pour emploi avec des mèches de grand diamètre, y compris des couronnes de perçage à pointes diamantées et au carbure. Il est optimisé pour emploi avec des mèches de diamètre compris entre 2-1/4 po et 5 po. Le diamètre maximum de la mèche est 6 po (la brosse circulaire doit être retirée pour les diamètres supérieurs à 5 po). Insérez le tuyau de l'extracteur de poussière dans l'orifice de dépoussiérage du dispositif de dépoussiérage (Fig. B2).

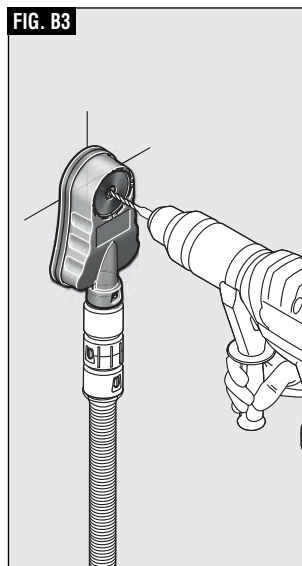
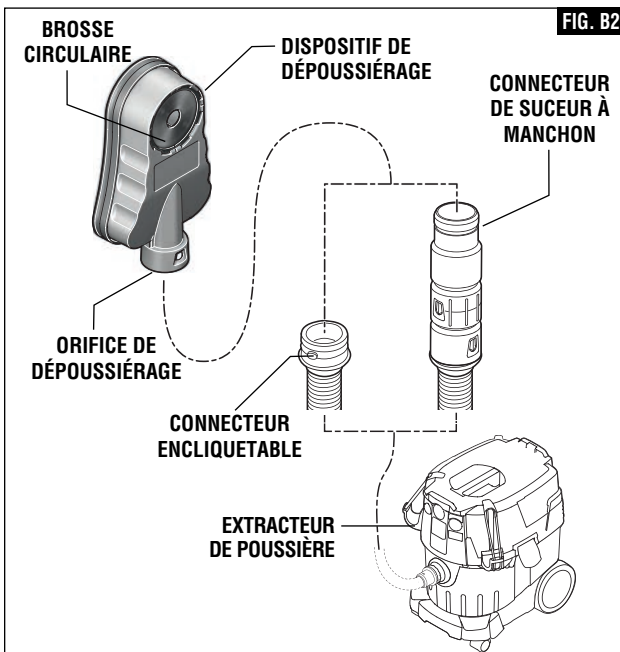
Le tuyau de l'extracteur de poussière Bosch est fourni avec un suceur à manchon attaché à un connecteur encliquetable. Le suceur à manchon fournit la façon la plus rapide et la plus facile de raccorder le suceur à l'accessoire. Le connecteur encliquetable assure une

connexion plus sécurisée. Pour utiliser le connecteur encliquetable, détachez le suceur en caoutchouc du tuyau de l'extracteur de poussière. Appuyez sur le connecteur encliquetable pour le faire entrer dans l'orifice de dépoussiérage jusqu'à ce que vous entendiez un déclic.

Des adaptateurs pour orifices de dépoussiérage sont également disponibles pour connecter l'accessoire de dépoussiérage de Bosch à tout tuyau d'aspiration de diamètre standard. Veuillez aller sur le site [Boschtools.com](http://Boschtools.com) pour plus de détails.

Mettez l'extracteur de poussière sous tension et placez l'accessoire sur le mur (ou sur le sol), au-dessus de l'emplacement désiré pour effectuer le perçage de façon que le centre du trou soit aligné sur le centre de l'ouverture de la brosse circulaire. Remarque : l'aspiration provenant de l'extracteur de poussière maintiendra l'accessoire en place sur la surface de travail. Introduisez la mèche à travers l'ouverture de la brosse circulaire à l'emplacement désiré pour effectuer le perçage et commencez à percer le trou désiré (Fig. B3). Suivez toutes les instructions d'utilisation de l'outil ainsi que les consignes de sécurité.

Remarque : pour obtenir les meilleurs résultats possibles, laissez l'outil en marche même après avoir extrait la mèche du trou. La combinaison de l'aspiration et du mouvement rotatif de la mèche aide à retirer la plus grande partie de la poussière du trou.

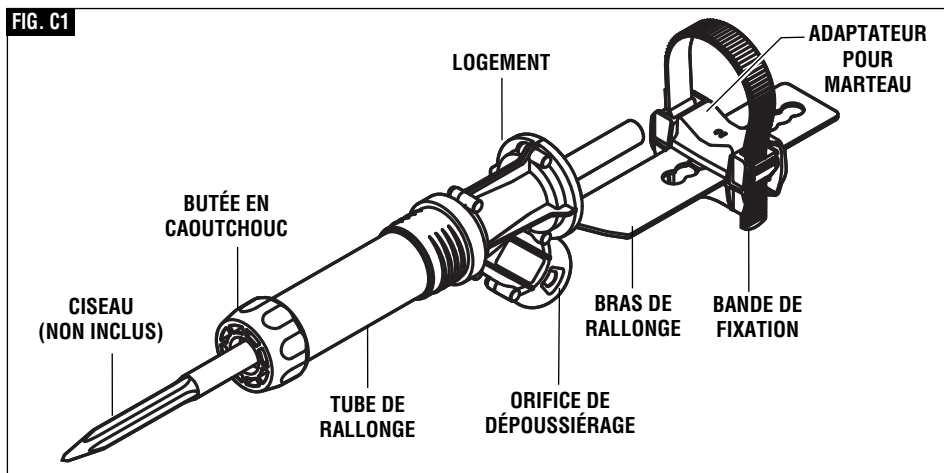


**HDC300****Description fonctionnelle et spécifications**

**AVERTISSEMENT** Pour réduire le risque de blessure, l'utilisateur doit lire le mode d'emploi afin d'apprendre à employer l'outil avec cet accessoire.

**CONSERVER CES INSTRUCTIONS**

**FIG. C1**

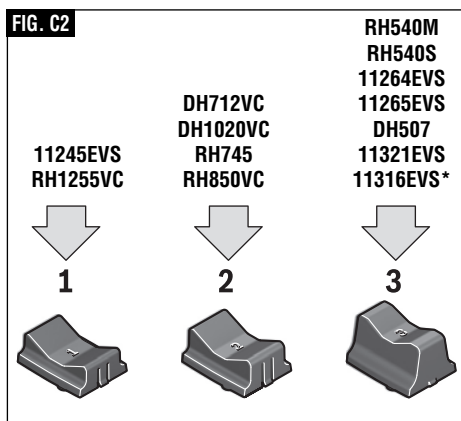
**HDC300****Montage**

**AVERTISSEMENT** Débranchez la fiche de la prise de courant avant d'effectuer quelque assemblage ou réglage que ce soit ou de changer les accessoires. Ces mesures de sécurité préventive réduisent le risque d'une mise en marche accidentelle de l'outil. Pour permettre l'utilisation de l'attachement HDC300 avec des marteaux Bosch compatibles, cet attachement est fourni avec un total de trois

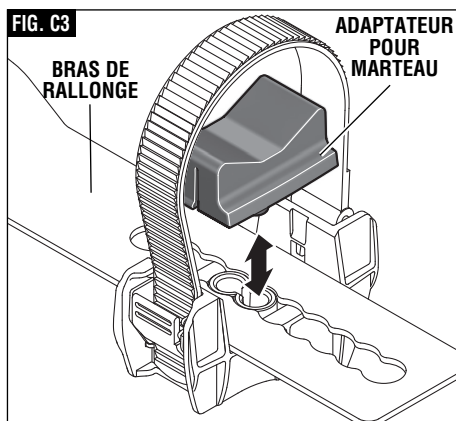
adaptateurs de marteau. Utilisez l'adaptateur de la taille appropriée pour le marteau de la taille correspondante (Fig. C2).

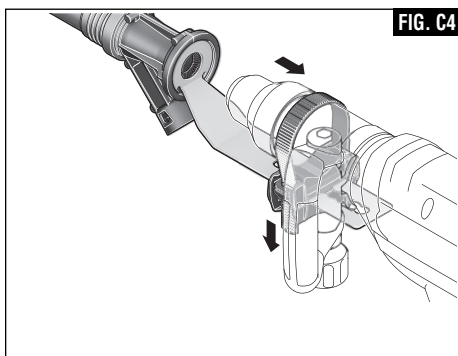
Pour changer l'adaptateur pour marteau, retirez l'adaptateur du bras de rallonge en métal en utilisant un tournevis à lame plate et en l'insérant entre le bras en métal et l'adaptateur. Introduisez l'adaptateur pour marteau désiré dans la fente sur le bras en métal (Fig. C3).

**FIG. C2**

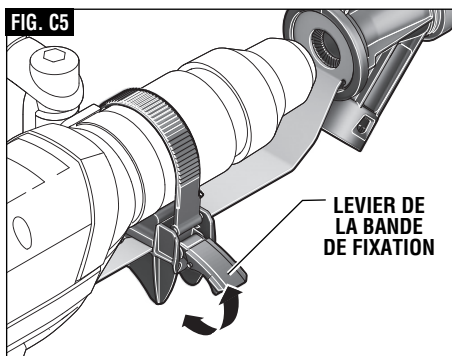


**FIG. C3**



**HDC300****Montage****FIG. C4**

Ouvrez complètement le levier de la bande de fixation sur l'accessoire. Faites glisser la bande de fixation au-dessus du mandrin et sur le tube du marteau (Fig. C4). Fermez le levier de la bande de fixation pour sécuriser la fixation sur l'outil. Testez pour vous

**FIG. C5**

LEVIER DE  
LA BANDE  
DE FIXATION

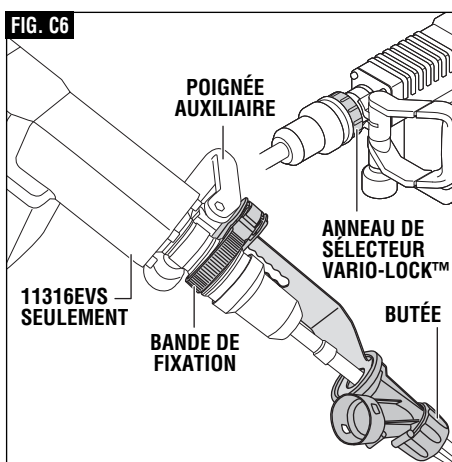
assurer qu'il n'y a pas de glissement (Fig. C5). Si nécessaire, vous devrez peut-être serrer ou desserrer la bande dans le mécanisme de fixation pour obtenir l'ajustement le plus solide.

\* **Pour installer l'attache HDC300 sur le modèle Bosch 11316EVS seulement :**

Étant donné que le modèle 11316EVS n'est pas pourvu d'un tube de marteau, la bande de fixation doit être enveloppée autour de l'anneau de sélecteur vario-lock™ (Fig. C6).

Ouvrez complètement le levier de la bande de fixation sur l'attache. Faites glisser la bande de fixation par-dessus le mandrin et sur l'anneau de sélecteur vario-lock™. Faites tourner l'attache de telle sorte que le bras de rallonge en métal soit aligné sur la poignée auxiliaire (Fig. C6). Ajustez le bras de rallonge en métal de telle sorte que la butée en caoutchouc de l'attache soit positionnée à la distance désirée de la pointe du ciseau pour optimiser la collecte de poussière. Fermez le levier de la bande de fixation pour sécuriser l'attache à l'outil.

**Remarque :** lorsque vous utilisez la fonction vario-lock™ sur le modèle 11316EVS (la capacité de rotation du ciseau jusqu'à l'atteinte d'une position de travail ergonomique), l'attache HDC300 devra être retiré temporairement de l'outil. Suivez

**FIG. C6**

POIGNÉE  
AUXILIAIRE

ANNEAU DE  
SÉLECTEUR  
VARIO-LOCK™

11316EVS  
SEULEMENT

BANDE DE  
FIXATION

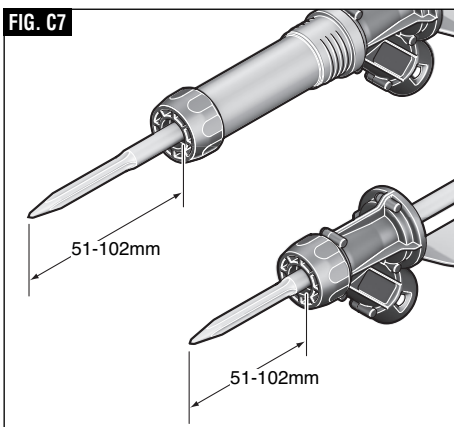
BUTÉE

les instructions du mode d'emploi du modèle 11316EVS pour utiliser la fonction vario-lock™ afin de faire tourner le ciseau. Réinstallez et sécurisez l'attache avant de reprendre le travail.

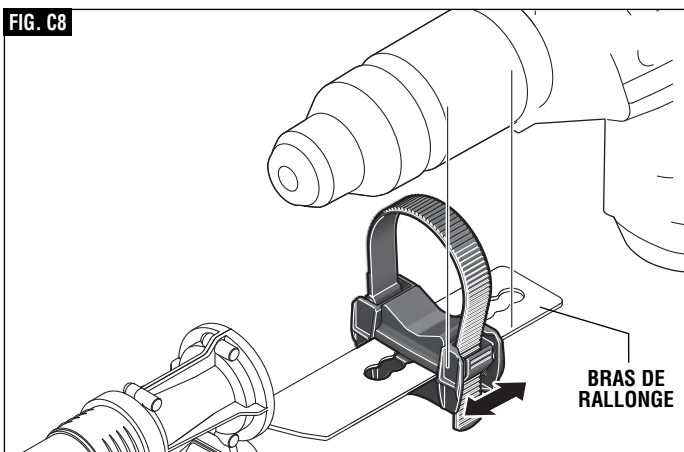
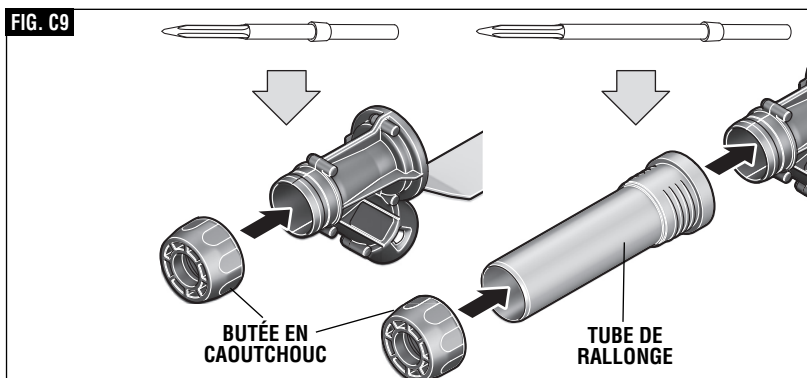
**HDC300****Instructions d'utilisation**

Ciselage seulement : l'accessoire HDC300 est conçu pour être utilisé dans des applications de ciselage sur des matériaux en maçonnerie et en béton, avec des ciseaux SDS-max ou cannelés. L'accessoire de dépoussiérage doit être positionné à environ 3 po de la pointe de la mèche pour produire les meilleurs résultats en matière de dépoussiérage (Fig. C7). Vous pouvez régler le positionnement de l'accessoire en ouvrant le levier de la bande de fixation et en faisant glisser l'accessoire vers l'avant ou vers l'arrière le long du tube du marteau. Pour prolonger l'ajustement, le bras de rallonge peut être déplacé vers l'avant ou vers l'arrière à l'intérieur du mécanisme de la bande de fixation. Lorsque vous aurez terminé, fermez le levier de la bande de fixation pour fixer à nouveau l'accessoire sur l'outil de façon sécurisée (Fig. C8).

Pour les ciseaux extra longs, l'accessoire HDC300 est fourni avec un tube de rallonge. Retirez la butée en caoutchouc du logement. Installez le tube de rallonge en faisant glisser l'ouverture la plus large vers

**FIG. C7**

l'extrémité du logement. Réinstallez la butée en caoutchouc sur la pointe du tube de rallonge (Fig. 9).

**FIG. C8****FIG. C9**



**HDC300****Instructions d'utilisation**

Insérez le tuyau de l'extracteur de poussière dans l'orifice de dépoussiérage du dispositif de dépoussiérage (Fig. C10).

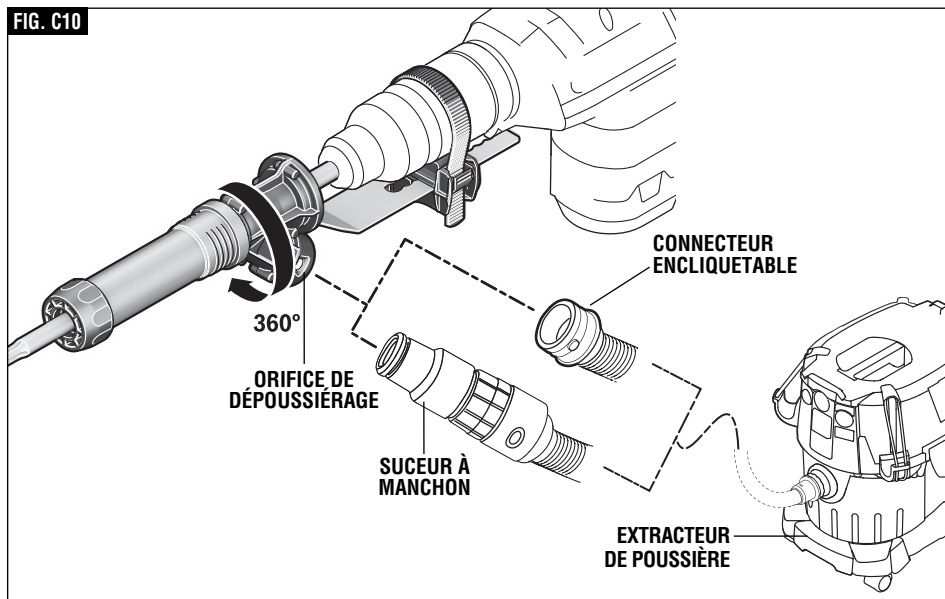
Le tuyau de l'extracteur de poussière Bosch est fourni avec un suceur à manchon attaché à un connecteur encliquetable (Fig. C10). Le suceur à manchon fournit la façon la plus rapide et la plus facile de raccorder le suceur à l'accessoire. Le connecteur encliquetable assure une connexion plus sécurisée.

Pour utiliser le connecteur encliquetable, détachez le suceur en caoutchouc du tuyau de l'extracteur de poussière. Appuyez sur le connecteur encliquetable

pour le faire entrer dans l'orifice de dépoussiérage jusqu'à ce que vous entendiez un déclic.

Des adaptateurs pour orifices de dépoussiérage sont également disponibles pour connecter l'accessoire de dépoussiérage de Bosch à tout tuyau d'aspiration de diamètre standard. Veuillez aller sur le site [Boschtools.com](http://Boschtools.com) pour plus de détails.

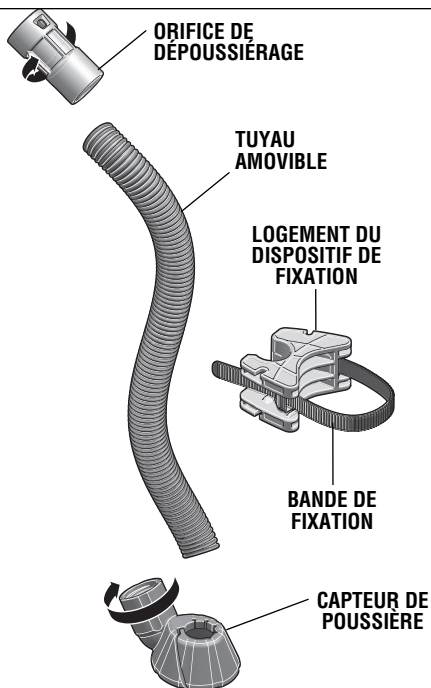
Mettez l'extracteur de poussière sous tension et placez l'outil / l'accessoire au-dessus de l'emplacement désiré pour effectuer le ciselage. Suivez toutes les instructions d'utilisation de l'outil ainsi que les consignes de sécurité.



**HDC400****Description fonctionnelle et spécifications**

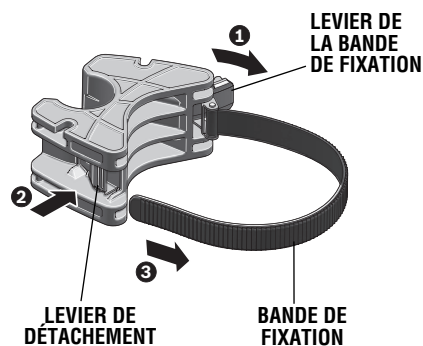
**⚠ AVERTISSEMENT** Pour réduire le risque de blessure, l'utilisateur doit lire le mode d'emploi afin d'apprendre à employer l'outil avec cet accessoire.

**CONSERVER CES INSTRUCTIONS**

**FIG. D1****HDC400****Montage**

**⚠ AVERTISSEMENT** Débranchez la fiche de la prise de courant avant d'effectuer quelque assemblage ou réglage que ce soit ou de changer les accessoires. Ces mesures de sécurité préventive réduisent le risque d'une mise en marche accidentelle de l'outil.

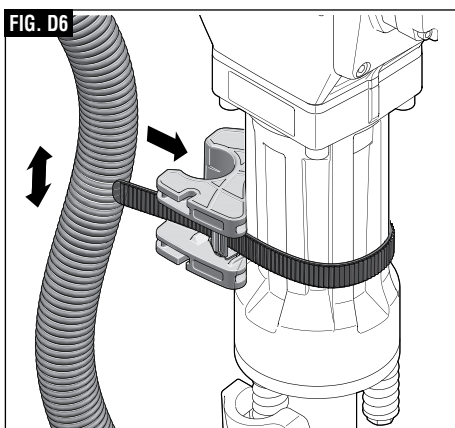
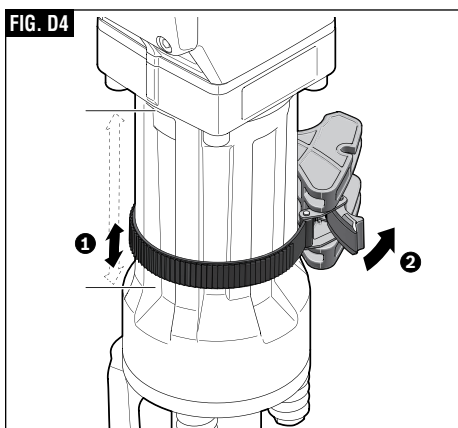
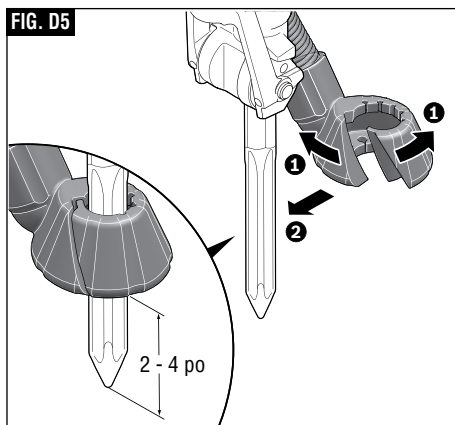
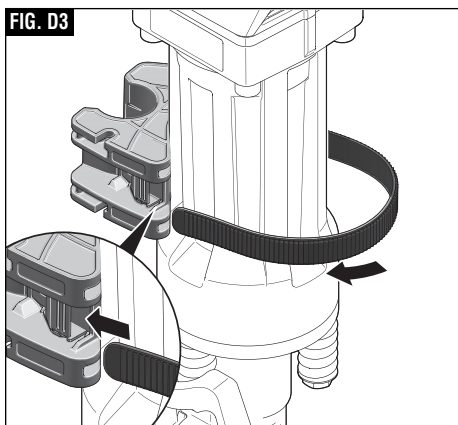
Remarque : veillez à ce que le ciseau désiré soit installé sur le marteau avant de procéder au montage de l'accessoire de dépoussiérage. Ouvrez totalement le levier de la bande de fixation sur le logement du dispositif de fixation. Appuyez sur le levier de détachement et tirez sur la bande de fixation pour la détacher. Voir Figure D2. Positionnez l'accessoire sur le tube du marteau de l'outil, enroulez la bande de fixation autour du tube du marteau et insérez-la à nouveau dans le levier de détachement. La bande de fixation doit reposer de manière lâche sur le tube du marteau. Puis fermez le levier de la bande de fixation

**FIG. D2**

**HDC400****Montage**

pour sécuriser l'accessoire sur l'outil. Testez pour vous assurer qu'il n'y a pas de glissement (Fig. D3, D4). Si nécessaire, vous devrez peut-être serrer ou desserrer la bande dans le levier de détachement pour effectuer l'ajustement le plus sécurisé. Insérez le capteur de poussière sur le ciseau hexagonal de 1-1/8 po (Fig. D5). Pour pouvoir réaliser le meilleur

dépoussiérage possible, le capteur doit être positionné entre 2 et 4 po de la pointe du ciseau. Insérez le tuyau amovible dans le logement du dispositif de fixation (Fig. D6). Remarque : il ne doit pas y avoir de jeu (ou seulement très peu de jeu) entre le logement du dispositif de fixation et le capteur.

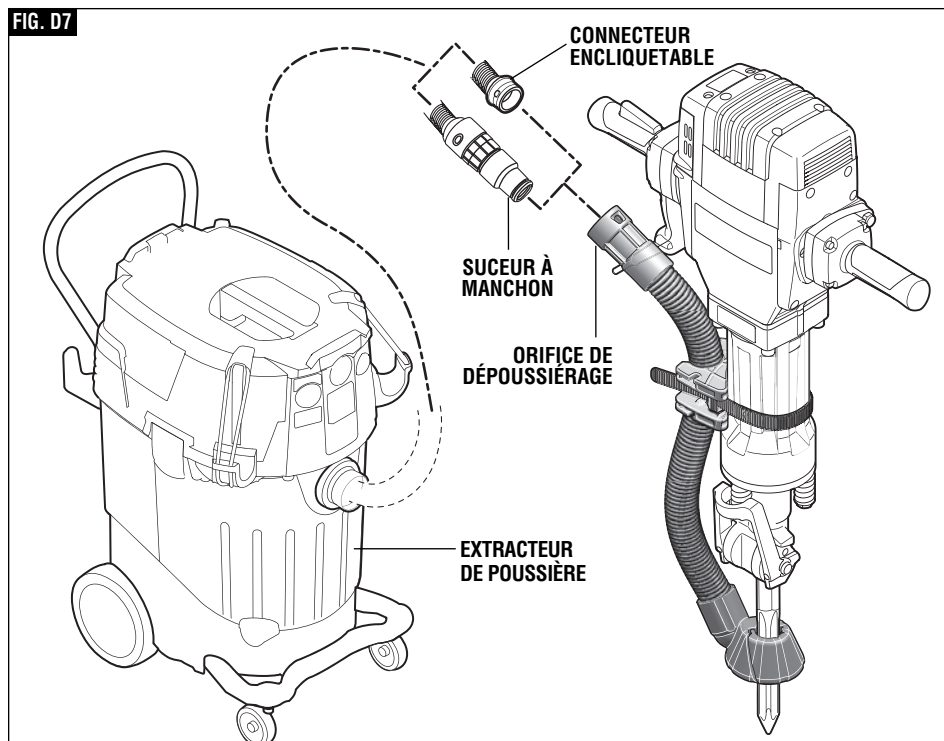


**HDC400****Instructions d'utilisation**

Pour ciseler seulement : L'équipement HDC400 est conçu afin d'être utilisé pour le ciselage/la démolition de matériaux en béton et en maçonnerie avec des ciseaux hexagonaux de 1-1/8 po.

L'accessoire de dépoussiérage doit être positionné à environ 2-4 po de la pointe de la mèche pour obtenir les meilleurs résultats en matière de dépoussiérage (Fig. D5). Vous pouvez régler la position de l'accessoire en ouvrant le levier de la bande de fixation et en faisant glisser l'accessoire vers le haut ou vers le bas le long du tube du marteau. Une fois le

réglage terminé, fermez la bande de fixation afin de sécuriser à nouveau l'accessoire sur l'outil (Fig. D4). Pour accroître la portée du réglage, il est également possible de déplacer le tuyau flexible vers le haut ou vers le bas à l'intérieur du logement du dispositif de fixation. Retirez le tuyau flexible du logement, positionnez ce tuyau de telle sorte que le capteur de poussière soit placé au bon endroit pour un ramassage optimal de la poussière, puis insérez à nouveau le tuyau flexible à l'intérieur du logement du dispositif de fixation (Fig. D6).

**FIG. D7**

Insérez le tuyau de l'extracteur de poussière dans l'orifice de dépoussiérage du dispositif de dépoussiérage (Fig. D7).

Le tuyau de l'extracteur de poussière Bosch est fourni avec un suceur en caoutchouc attaché à un connecteur encliquetable (Fig. D7). Le suceur en caoutchouc fournit la façon la plus rapide et la plus facile de raccorder le suceur à l'accessoire. Le connecteur encliquetable assure une connexion plus sécurisée.

Pour utiliser le connecteur encliquetable, détachez le suceur en caoutchouc du tuyau de l'extracteur de poussière. Appuyez sur le connecteur encliquetable

pour le faire entrer dans l'orifice de dépoussiérage jusqu'à ce que vous entendiez un déclic.

Des adaptateurs pour orifices de dépoussiérage sont également disponibles pour connecter l'accessoire de dépoussiérage de Bosch à tout tuyau d'aspiration de diamètre standard. Veuillez aller sur le site [Boschtools.com](http://Boschtools.com) pour plus de détails.

Mettez l'extracteur de poussière sous tension et placez l'outil / l'accessoire au-dessus de l'emplacement désiré pour effectuer le ciselage. Suivez toutes les instructions d'utilisation de l'outil ainsi que les consignes de sécurité.

## Conseils pratiques

### PERÇAGE DANS LE BOIS OU LE PLASTIQUE

**⚠ MISE EN GARDE** Ne pas percer dans du bois avec le dispositif d'extraction de la poussière installé. La plupart des copeaux de bois sont trop grands et causeraient l'obstruction du canal de dépoussiérage.

Si un bloc d'appui n'est pas utilisé, relâchez la pression immédiatement avant que le foret ne traverse le bois afin d'éviter l'éclatement du bois. Terminez le trou du côté opposé immédiatement après que la pointe ait traversé. Si le foret se grippe, inversez l'opération de perçage pour aider à retirer le foret de la pièce.

### PERÇAGE DANS LE MÉTAL

**⚠ AVERTISSEMENT** Ne pas percer dans du métal avec le dispositif d'extraction de la poussière installé. Des fragments de métal très chauds risqueraient de s'enflammer ou de mettre feu à certaines parties du dispositif d'extraction de la poussière.

## Entretien

### Service

**⚠ AVERTISSEMENT** Tout entretien préventif effectué par des personnels non autorisés peut résulter en mauvais placement de fils internes ou de pièces, ce qui peut présenter un danger grave. Nous vous conseillons de faire faire tout l'entretien par un centre de service d'usine Bosch ou une station service agréée Bosch.

### Nettoyage





**⚠ AVERTISSEMENT** Pour éviter les accidents, il faut toujours débrancher l'outil avant de le nettoyer ou de l'entretenir. Le meilleur moyen de nettoyer l'outil est d'utiliser de l'air comprimé sec. Il faut toujours porter des lunettes de protection quand on utilise de l'air comprimé.

Les ouïes de ventilation et les leviers de l'interrupteur doivent rester propres et exempts de corps étrangers. Ne tentez pas de les nettoyer en enfonçant des objets pointus dans les orifices.

**⚠ MISE EN GARDE** Certains agents de nettoyages et certains dissolvants abîment les pièces en plastique. Parmi ceux-ci se trouvent: l'essence, le tétrachlorure de carbone, les dissolvants de nettoyage chlorés, l'ammoniaque ainsi que les détergents domestiques qui en contiennent.

## Símbolos de seguridad

Las definiciones que aparecen a continuación describen el nivel de gravedad de cada palabra de señal de seguridad. Por favor, lea el manual y preste atención a estos símbolos.

	<p>Éste es el símbolo de alerta de seguridad. Se utiliza para alertarle a usted de posibles peligros de lesiones corporales. Obedezca todos los mensajes de seguridad que sigan a este símbolo para evitar posibles lesiones o muerte.</p>
	<p>PELIGRO indica una situación peligrosa que, si no se evita, causará la muerte o lesiones graves.</p>
	<p>ADVERTENCIA indica una situación peligrosa que, si no se evita, podría causar la muerte o lesiones graves.</p>
	<p>PRECAUCIÓN indica una situación peligrosa que, si no se evita, podría causar lesiones leves o moderadas.</p>

## Normas generales de seguridad



**ADVERTENCIA** Para reducir el riesgo de lesiones, lea estas instrucciones y las instrucciones de utilización de su herramienta antes de usar el sistema de extracción de polvo para martillos con la herramienta.

### GUARDE ESTAS INSTRUCCIONES

Use protección de los ojos y antipolvo.

Desenchufe la herramienta eléctrica antes de ensamblar o desensamblar el accesorio o el aditamento, o antes de hacer ajustes.

Use un extractor de polvo u otro dispositivo de recolección de polvo para reducir la exposición a los polvos de carburo de silicio u otros polvos peligrosos generados mientras se utiliza la herramienta con este accesorio y este aditamento.

**ADVERTENCIA** **Cierto polvo generado por el lijado, aserrado, amolado y taladrado mecánicos, y por otras actividades de construcción, contiene agentes químicos que se sabe que causan cáncer, defectos de nacimiento u otros daños sobre la reproducción. Algunos ejemplos de estos agentes químicos son:**

- Plomo de pinturas a base de plomo,
- Sílice cristalina de ladrillos y cemento y otros productos de mampostería, y
- Arsénico y cromo de madera tratada químicamente.

Su riesgo por causa de estas exposiciones varía, dependiendo de con cuánta frecuencia realice este tipo de trabajo. Para reducir su exposición a estos agentes químicos: trabaje en un área bien ventilada y trabaje con equipo de seguridad aprobado, como por ejemplo máscaras antipolvo que estén diseñadas especialmente para impedir mediante filtración el paso de partículas microscópicas.

Utilice la unidad únicamente para extraer materiales de tipo mampostería. No la utilice en materiales peligrosos. Asegúrese de sujetar firmemente el aditamento a la herramienta antes de su utilización. Consulte las instrucciones para obtener la capacidad de cincelado. Siga todas las instrucciones de la herramienta / el extractor de polvo.

## Normas de seguridad específicas para el aditamento

**Si se proporcionan dispositivos para la conexión a sistemas de recolección y extracción de polvo, asegúrese de que estos dispositivos estén conectados y se utilicen de acuerdo con las instrucciones de la herramienta y el extractor de polvo.** El uso apropiado de la recolección de polvo puede reducir los peligros relacionados con el polvo.

**Si se proporcionan dispositivos para la conexión de sistemas de recolección y extracción de polvo, vacíe el recipiente para polvo antes de comenzar el trabajo, frecuentemente durante el trabajo, después de completar el trabajo y antes de almacenar la herramienta.** Tenga sumo cuidado al desechar el polvo, ya que puede que los materiales en forma de partículas finas sean explosivos.

**No arroje el polvo a un fuego al descubierto.** Puede ocurrir combustión causada por la mezcla de barnices, lacas, poliuretano, aceite o agua con partículas de polvo si hay una descarga de electricidad estática, una chispa eléctrica o calor excesivo.

**No utilice extracción de polvo para operaciones en las cuales el polvo pueda incluir artículos que se estén quemando, estén humeando o estén ardiendo lentamente sin llama, como cenizas calientes o chispas.** Es posible que se produzca un incendio en el interior del tanque o la bolsa del extractor de polvo. Puede que el polvo arda lentamente sin llamas y prenda fuego al extractor de polvo mucho después de completar el trabajo.

**No utilice extracción de polvo con polvos explosivos, barniz, revestimientos de poliuretano, limpiadores o pinturas a base de aceite.** Los motores eléctricos generan chispas que podrían incendiar los polvos o los vapores.

**No utilice extracción de polvo cuando trabaje en metal.** Las virutas producidas al taladrar metal pueden estar calientes y es posible que generen chispas que podrían derretir los adaptadores de plástico y las mangueras de extractor de polvo, y podrían causar un incendio en el interior del tanque o la bolsa del extractor de polvo.

**No taladre en metal con el sistema de extracción de polvo montado.** Las virutas metálicas calientes se pueden autoincendiar o pueden incendiar las piezas del sistema de extracción de polvo.

**No taladre en madera con el sistema de extracción de polvo montado.** Generalmente, las virutas de madera son demasiado grandes y obstruirán el canal para polvo.

**No utilice la unidad para recoger asbesto.**

**HDC100:** Se puede utilizar para aplicaciones de taladrado y desbastado;

**HDC200, HDC250:** Sólo se pueden utilizar para para aplicaciones de taladrado. No los utilice cuando cincele, apriete tornillos o corte roscas.

**HDC300, HDC400:** Sólo se pueden utilizar para aplicaciones de cincelado o demolición (consulte el cuadro para obtener detalles). No los utilice cuando taladre, apriete tornillos o corte roscas.

## Compatibilidad de los aditamentos de extracción de polvo para martillos

Aplicación ►	Taladrado solamente	Taladrado / desbastado <sup>1</sup>	Taladrado solamente	Cinzelado solamente <sup>1</sup>	Demolición
Aditamento ► Funciona con ▼	GDE18V-16	HDC100	HDC200 / HDC250 <sup>2</sup>	HDC300	HDC400
<b>Taladros de percusión</b>	-	-	1191VSR, HD18-2, HD19-2, HD21-2	-	-
<b>Martillos alámbricos SDS-plus®</b>		<i>Utilizados en el modo de taladrado de percusión:</i> 11250VSR, 11253VSR, 11255VSR, RH226, RH228VC, GBH2-28L, RH328VC, RH328VCQ	<i>Utilizados en el modo de taladrado de percusión:</i> 11250VSR, 11253VSR, 11255VSR, RH226, RH228VC, GBH2-28L, RH328VC, RH328VCQ, RH432VCQ	-	-
<b>Martillos inalámbricos SDS-plus®</b>	GBH18V-26	<i>Utilizados en el modo de desbastado:</i> RHH181, GBH18V-20, 11536VSR, 11536C-2, GBH18V-26, RH328VC-36	<i>Utilizados en el modo de taladrado de percusión:</i> RHH181, GBH18V-20, 11536VSR, 11536C-2, GBH18V-26, RH328VC-36	-	-
<b>Martillos rotativos SDS-max®</b>	-	-	<i>Utilizados en el modo de taladrado de percusión:</i> RH540M, RH540S, 11264EVS, 11265EVS, RH745, RH850VC, 11245EVS, RH1255VC	<i>Utilizados en el modo de cinzelado:</i> RH540M, RH540S, 11264EVS, 11265EVS, RH745, RH850VC, 11245EVS, RH1255VC	-
<b>Martillos de demolición SDS-max®</b>	-	-	-	DH507, 11321EVS, DH712VC, DH1020VC, 11316EVS <sup>3</sup>	DH1020VC
<b>Martillos rompedores hexagonales de 1-1/8 pulgadas</b>	-	-	-	-	11335K, BH2760VC, BH2770VC, GSH27-62

<sup>1</sup> Cuando desbaste o cincele, utilícelo con cinceles planos puntiagudos y estrechos.

<sup>2</sup> El HDC200 y el HDC250 son universales. Funcionan con cualquier herramienta de taladrado utilizada para taladrar en materiales tipo concreto / mampostería.

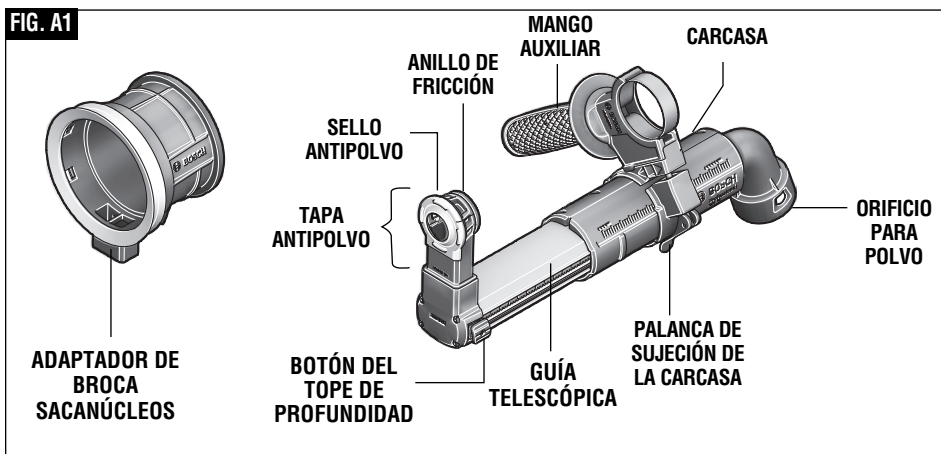
<sup>3</sup> Siga las instrucciones de montaje especiales para la utilización con el 11316EVS que se encuentran en la sección "Ensamblaje del HDC300".



**HDC100****Descripción funcional y especificaciones****ADVERTENCIA**

Para reducir el riesgo de lesiones, el usuario debe leer el manual de instrucciones para el uso de la herramienta con este aditamento.

**GUARDE ESTAS INSTRUCCIONES**

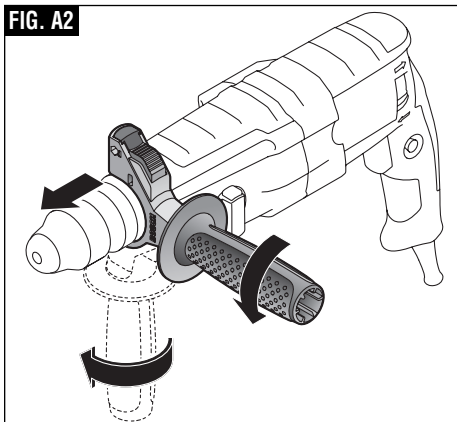
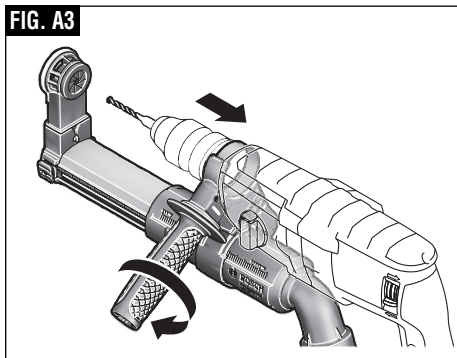
**Aditamento de extracción de polvo HDC100****FIG. A1****HDC100****Ensamblaje****ADVERTENCIA**

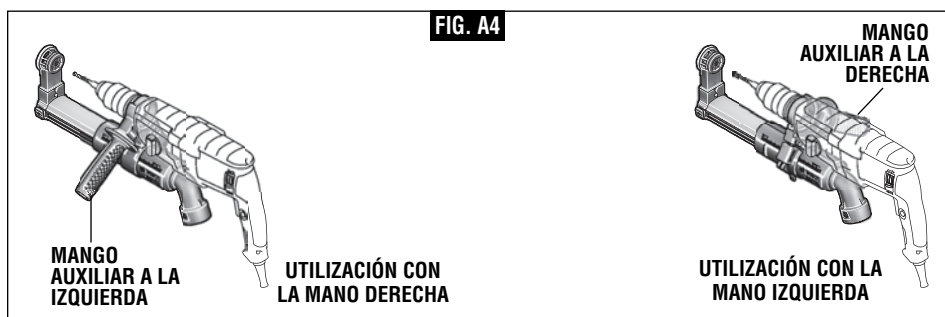
Desconecte el enchufe de la fuente de energía antes de realizar cualquier ensamble o ajuste, o cambiar accesorios. Estas medidas de seguridad preventivas reducen el riesgo de arrancar la herramienta accidentalmente.

**REMOCIÓN E INSTALACIÓN DEL SISTEMA DE EXTRACCIÓN DE POLVO**

Primero, retire el mango auxiliar que viene como equipo estándar con la herramienta. Para retirarlo, afloje el agarre manual y retire el mango de la herramienta (Fig. A2).

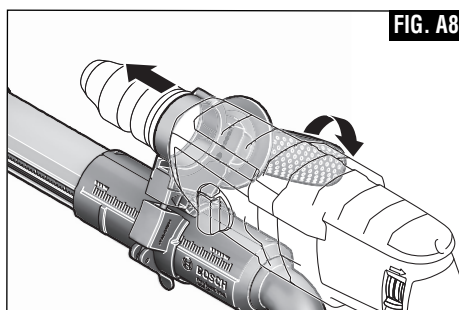
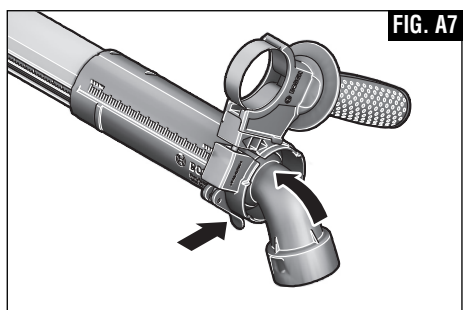
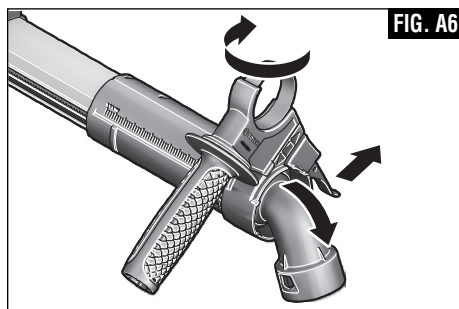
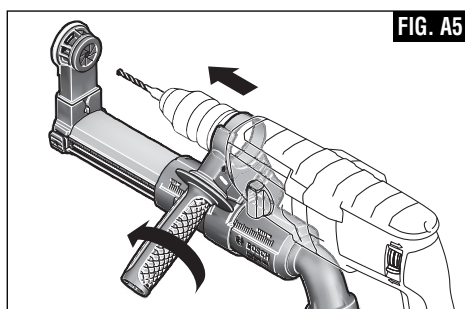
Para instalar el aditamento de extracción de polvo, deslice la cinta de fijación del mango auxiliar sobre el mandril hasta que la cinta repose sobre el cilindro de la herramienta. Luego, apriete firmemente el agarre manual (Fig. A3).

**FIG. A2****FIG. A3**

**HDC100****Ensamblaje****INSTALACIÓN EN EL LADO IZQUIERDO O DERECHO**

Usted puede ensamblar el aditamento en la herramienta para que el mango auxiliar se pueda agarrar tanto con la mano izquierda, en el caso de operadores diestros, como con la mano derecha, en el caso de operadores zurdos (Fig. A4). El aditamento viene ensamblado para utilización con la mano derecha (el mango lateral se agarra con la mano izquierda).

Para ensamblar el aditamento de manera que el mango auxiliar se agarre con la mano derecha, afloje el mango y retire el aditamento de la herramienta (Fig. A5). Abra la palanca de sujeción de la carcasa y retire el ensamblaje del mango auxiliar de la carcasa (Fig. A6). Rote el ensamblaje del mango 180 grados y deslícelo hacia atrás sobre la carcasa (Fig. A7). Sujete firmemente la carcasa al mango cerrando la palanca de sujeción de la carcasa (Fig. A8).



**HDC100****TAPA ANTIPOLVO PARA BROCAS TALADRADORAS PEQUEÑAS**

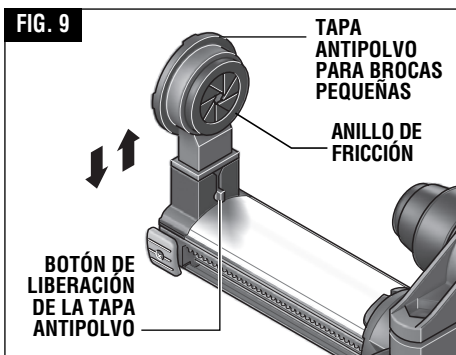
La herramienta está equipada con una tapa antipolvo estándar para utilizarse con brocas taladradoras de diámetro pequeño. Para cambiar la tapa antipolvo, empuje el botón de liberación y jale la tapa antipolvo para retirarla del sistema de extracción de polvo.

Para insertar la tapa antipolvo, empujela hacia el interior del extremo del sistema de extracción de polvo hasta que oiga que queda fija en la posición correcta (Fig. A9).

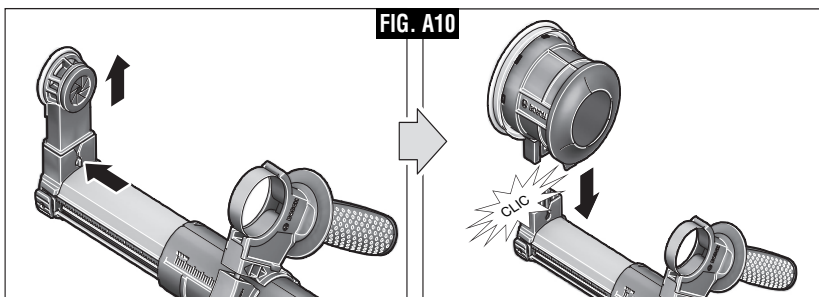
**TAPA ANTIPOLVO PARA BROCAS SACANÚCLEOS CON UNA CAPACIDAD MÁXIMA DE 38MM**

Cuando utilice brocas sacanúcleos, la tapa antipolvo para brocas taladradoras pequeñas se debe retirar y reemplazar con una tapa antipolvo especial para brocas sacanúcleos.

Para insertar la tapa antipolvo para brocas sacanúcleos, empujela desde arriba hacia el interior del sistema de extracción de polvo hasta que oiga que se ajusta a presión con un clic en el lugar adecuado (Fig. A10).

**Ensamblaje****FIG. 9**

Para retirar la tapa antipolvo para brocas sacanúcleos, empuje hacia fuera el pestillo de liberación y jale la tapa antipolvo hasta retirarla.

**FIG. A10****HDC100****Instrucciones de utilización**

El sistema de extracción de polvo se retrae durante la operación, de manera que la tapa antipolvo siempre se mantiene cerca de la superficie que se esté taladrando.

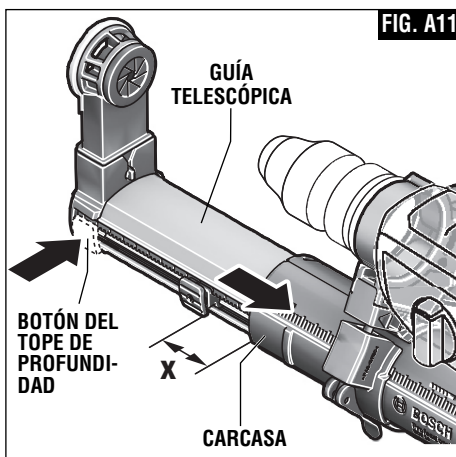
Para lograr la máxima eficiencia de extracción de polvo, por favor, siga las siguientes instrucciones:

- La broca taladradora que se esté usando no puede sobresalir de la tapa antipolvo
- Preste atención a que la tapa antipolvo esté orientada al ras contra la pieza de trabajo o la pared. Al mismo tiempo, esto hace más fácil el trabajo en ángulo recto.
- Después de alcanzar la profundidad de taladrado deseada, jale primero la broca taladradora hasta sacarla del agujero y luego apague la herramienta.
- La máxima profundidad de taladrado es de aproximadamente 120mm.

**CALIBRE DE PROFUNDIDAD**

La profundidad de taladrado X se puede preajustar y/o repetir utilizando el calibre de profundidad (Fig. A11).

Asegúrese de que el accesorio se haya insertado

**FIG. A11**

completamente en el mandril antes de ajustar el calibre de profundidad.

## HDC100

## Instrucciones de utilización

Ajuste el calibre de profundidad comprimiendo la guía telescópica hacia la herramienta. Cuando la longitud deseada de la broca esté al descubierto, presione y deslice el botón del tope de profundidad contra la carcasa de la guía y suelte dicho botón (Fig. A11). El calibre de profundidad está accionado por resorte y regresará a la posición completamente extendida cuando se haya eliminado la presión. (Cuando taladre, la guía telescópica se comprimirá hasta que acople el botón del tope de profundidad.)

### AJUSTE DE LA GUÍA TELESCÓPICA A LA LONGITUD DE LA BROCA

La longitud de la guía telescópica se puede ajustar a las longitudes de broca deseadas (la longitud máxima de la broca es de 254mm, de las cuales 203mm son utilizables).

Para ajustar la longitud, abra la palanca de sujeción de la carcasa y deslice la carcasa hacia delante o hacia atrás para lograr el posicionamiento deseado del aditamento. Sujete firmemente la carcasa cerrando la palanca de sujeción de la carcasa. Nota: La punta de la broca deberá coincidir con el lado de la tapa antipolvo que toca la superficie de trabajo (Fig. A12).

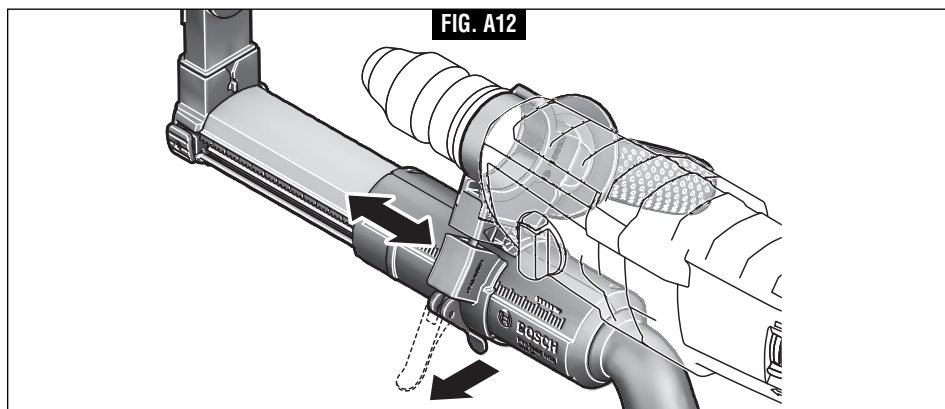


FIG. A12

### APLICACIÓN DE DESBASTADO

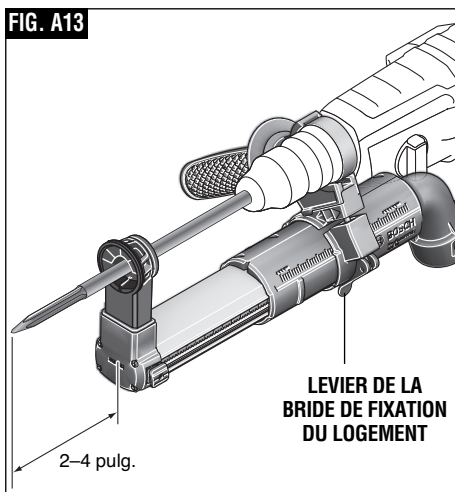
El HDC100 se puede utilizar con el martillo rotativo SDS-plus® para aplicaciones de desbastado en concreto/mampostería (consulte el cuadro "Compatibilidad de los aditamentos de extracción de polvo para martillos" para informarse sobre los modelos específicos).

**Nota:** Utilícelo únicamente con cinceles planos puntiagudos o estrechos.

- Inserte el cincel en la herramienta. Siga los mismos pasos que para insertar una broca taladradora.
- Ajuste la guía telescópica de manera que el cincel sobresalga de la tapa antipolvo de 2 a 4 pulgadas (Fig. A13). Abra la palanca de fijación de la carcasa y deslice la carcasa hacia delante o hacia atrás para lograr la posición deseada. Sujete firmemente la carcasa cerrando la palanca de fijación de la carcasa.

**Nota:** El aditamento de recolección de polvo utilizado en una aplicación de desbastado está diseñado para capturar el polvo suspendido en el aire y no los fragmentos y pedazos más grandes de concreto que caen en el proceso de remoción.

FIG. A13



LEVIER DE LA  
BRIDE DE FIXATION  
DU LOGEMENT

2-4 pulg.

**HDC100****Instrucciones de utilización****UTILIZACIÓN CON UN EXTRACTOR DE POLVO  
(NO INCLUIDA)**

Inserte la manguera del extractor de polvo procedente del extractor de polvo en el orificio para polvo de la unidad de extracción de polvo (Fig. A14).

La manguera del extractor de polvo Bosch viene con una boquilla de maguito sujeta a un conector de ajuste a presión (Fig. A14). La boquilla de maguito proporciona la conexión más rápida y más fácil de la boquilla al aditamento. El conector de ajuste a presión brinda una conexión más segura. Para utilizar el conector de ajuste a presión, retire la boquilla de caucho de la manguera del extractor de polvo. Presione el conector de ajuste a presión hacia el interior del orificio para polvo hasta que oiga un clic.

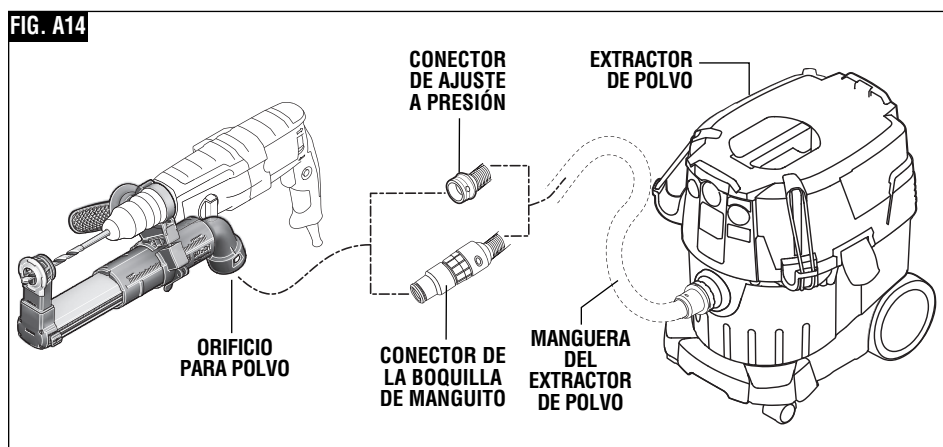
También hay disponibles adaptadores de orificio para polvo con el fin de conectar el aditamento de extracción de polvo Bosch a cualquier manguera de extractor de polvo de tamaño común. Visite [Boschtools.com](http://Boschtools.com) para obtener detalles.

Encienda el extractor de polvo y coloque la herramienta / el aditamento sobre la ubicación de taladrado deseada, de manera que la broca esté alienada con el centro del agujero que se vaya a taladrar. Siga todas las instrucciones de seguridad y utilización de la herramienta.

**Nota:** Para obtener los mejores resultados, deje que la herramienta siga funcionando incluso cuando esté sacando la broca del agujero. La combinación de la aspiración con el movimiento giratorio de la broca ayuda a sacar la mayor parte del polvo del agujero.

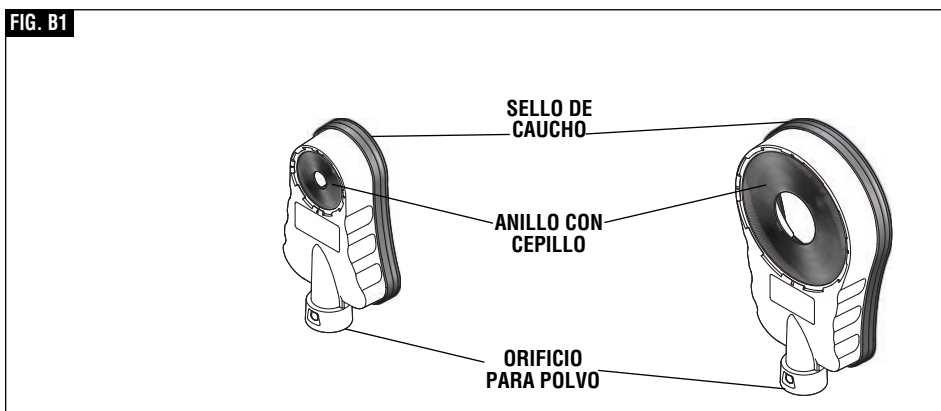
El extractor de polvo debe ser adecuado para el material que se esté taladrando.

Al seguir unos cuantos sencillos consejos, se reducirá el desgaste de la herramienta, así como la posibilidad de lesiones al operador.

**FIG. A14**

**HDC200 / HDC250****Descripción funcional y especificaciones****⚠ ADVERTENCIA**

Para reducir el riesgo de lesiones, el usuario debe leer el manual de instrucciones para el uso de la herramienta con este aditamento.

**GUARDE ESTAS INSTRUCCIONES****FIG. B1****Capacidad de taladrado**

	<b>HDC 200</b>	<b>HDC250</b>
Optimizada	6 — 35mm (1/4" — 1-3/8")	57 — 127mm (2-1/4" — 5")
Máxima	66.7mm (2-5/8") *	152mm (6") **
	* el anillo con cepillo se debe retirar para diámetros mayores de 35mm (1-3/8")	** el anillo con cepillo se debe retirar para diámetros mayores de 127mm (5")

**HDC200 / HDC250****Instrucciones de utilización**

**⚠ ADVERTENCIA** Desconecte el enchufe de la fuente de energía antes de realizar cualquier ensamblaje o ajuste, o cambiar accesorios. Estas medidas de seguridad preventivas reducen el riesgo de arrancar la herramienta accidentalmente.

Los aditamentos de extracción de polvo Bosch HDC200 y HDC250 están diseñados para utilizarse en aplicaciones de taladrado en materiales de tipo concreto y mampostería.

El HDC200 está optimizado para utilizarse con diámetros de broca taladradora de 1/4 de pulgada a 1-3/8 pulgadas. El diámetro máximo de la broca es de 2-5/8 pulgadas (el anillo con cepillo se debe retirar para diámetros mayores de 1-3/8 pulgadas).

El HDC250 está diseñado para utilizarse con brocas de diámetro grande, incluyendo brocas sacanúcleos con punta de diamante y de carburo. Está optimizado para diámetros de broca de 2-1/4 a 5 pulgadas. El diámetro máximo de la broca es de 6 pulgadas (el anillo con cepillo se debe retirar para diámetros mayores de 5 pulgadas).

Inserte la manguera del extractor de polvo procedente del extractor de polvo en el orificio para polvo de la unidad de extracción de polvo (Fig. B2).

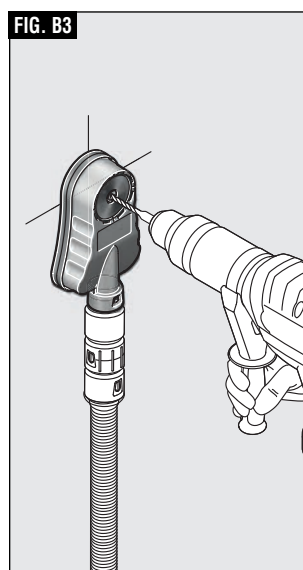
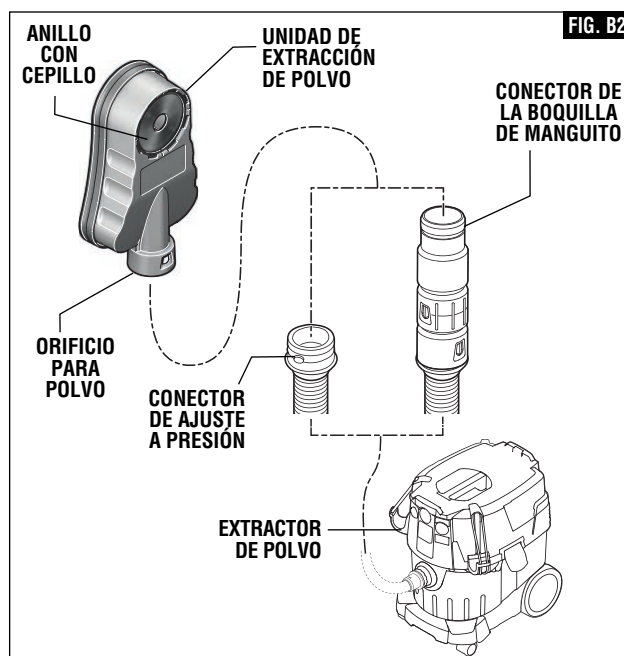
La manguera del extractor de polvo Bosch viene con una boquilla de manguito sujeta a un conector de ajuste a presión. La boquilla de manguito proporciona

la conexión más rápida y más fácil de la boquilla al aditamento. El conector de ajuste a presión brinda una conexión más segura. Para utilizar el conector de ajuste a presión, retire la boquilla de caucho de la manguera del extractor de polvo. Presione el conector de ajuste a presión hacia el interior del orificio para polvo hasta que oiga un clic.

También hay disponibles adaptadores de orificio para polvo con el fin de conectar el aditamento de extracción de polvo Bosch a cualquier manguera de extractor de polvo de tamaño común. Visite [Boschtools.com](http://Boschtools.com) para obtener detalles.

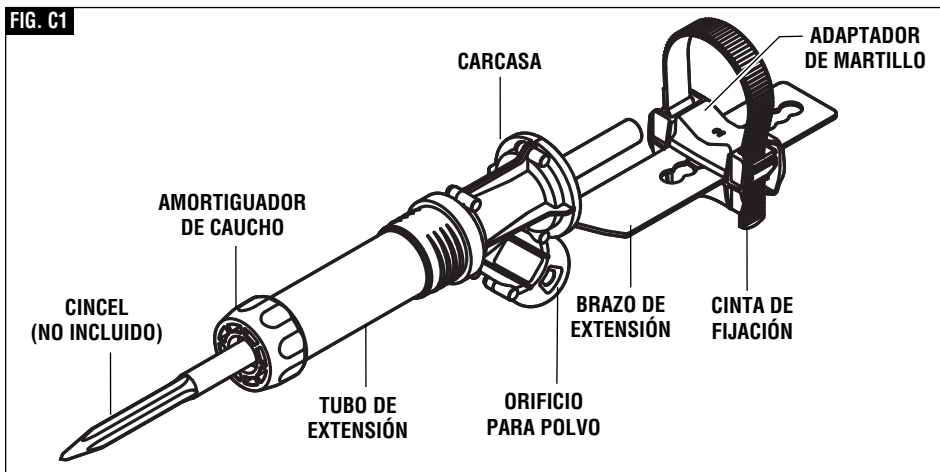
Encienda el extractor de polvo y coloque el aditamento en la pared (o el piso), sobre la ubicación de taladrado deseada, de manera que el centro del agujero se alinee con el centro de la abertura ubicada en el anillo con cepillo. Nota: La succión procedente del extractor de polvo sujetará el aditamento en la posición deseada sobre la superficie de trabajo. Coloque la broca taladradora a través de la abertura ubicada en el anillo con cepillo en la ubicación de taladrado deseada y taladre el agujero deseado (Fig. B3). Siga todas las instrucciones de seguridad y utilización de la herramienta.

Nota: Para obtener los mejores resultados, deje que la herramienta siga funcionando incluso cuando esté sacando la broca del agujero. La combinación de la aspiración con el movimiento giratorio de la broca ayuda a sacar la mayor parte del polvo del agujero.



**HDC300****Descripción funcional y especificaciones****ADVERTENCIA**

Para reducir el riesgo de lesiones, el usuario debe leer el manual de instrucciones para el uso de la herramienta con este aditamento.

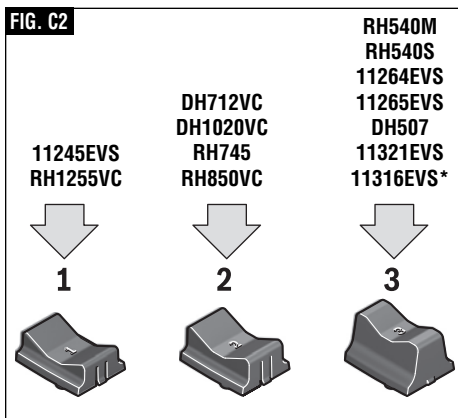
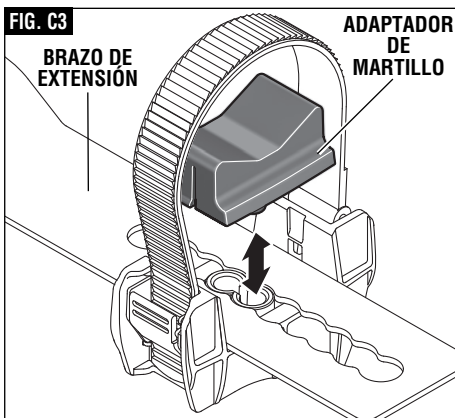
**GUARDE ESTAS INSTRUCCIONES****FIG. C1****HDC300****Ensamblaje****ADVERTENCIA**

**Desconecte el enchufe de la fuente de energía antes de realizar cualquier ensamblaje o ajuste, o cambiar accesorios.** Estas medidas de seguridad preventivas reducen el riesgo de arrancar la herramienta accidentalmente.

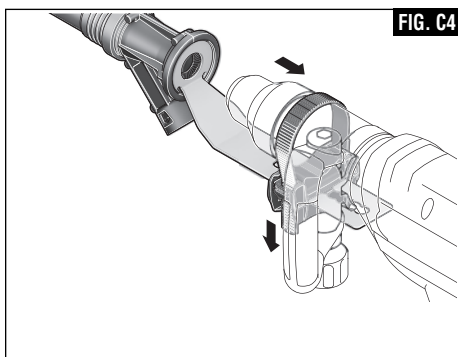
Para utilizar el HDC300 con los martillos Bosch compatibles, el aditamento viene con un total de 3 adaptadores de martillo. Utilice el adaptador de

tamaño adecuado para el martillo de tamaño adecuado (Fig. C2).

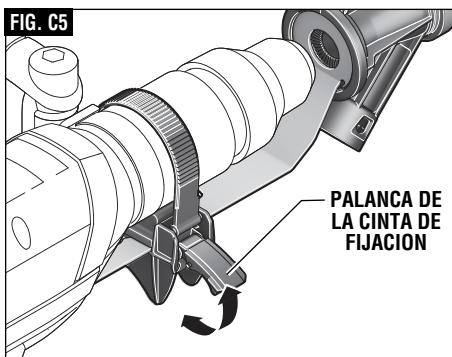
Para cambiar el adaptador de martillo, retire el adaptador del brazo de extensión metálico utilizando un destornillador de borde plano y haciendo cuña con él entre el brazo metálico y el adaptador. Inserte el adaptador de martillo deseado en la ranura del brazo metálico (Fig. C3).

**FIG. C2****FIG. C3**



**HDC300****Ensamblaje****FIG. C4**

Abra completamente la palanca de la cinta de fijación ubicada en el aditamento. Deslice la cinta de fijación sobre el mandril y sobre el tubo del martillo (Fig. C4). Cierre la palanca de la cinta de fijación para sujetar firmemente el aditamento a la herramienta. Haga una

**FIG. C5**

**PALANCA DE LA CINTA DE FIJACION**

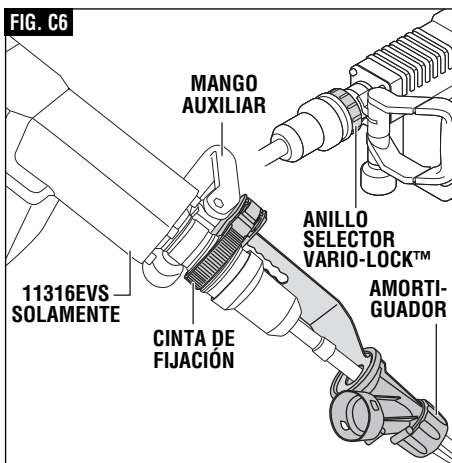
prueba para asegurarse de que no resbala (Fig. C5). Si es necesario, puede que tenga que apretar o aflojar la cinta con el mecanismo de la abrazadera para lograr el ajuste más seguro.

\* **Para la instalación del HDC300 en el martillo Bosch 11316EVS solamente:**

Como el 11316EVS no está equipado con un tubo de martillo, es necesario enrollar la cinta de fijación alrededor del anillo selector vario-lock™ (Fig. C6).

Abra completamente la palanca de la cinta de fijación ubicada en el aditamento. Deslice la cinta de fijación sobre el mandril y sobre el anillo selector vario-lock™. Rote el aditamento de manera que el brazo de extensión de metal esté alineado con el mango auxiliar (Fig. C6). Ajuste el brazo de extensión de metal de manera que el amortiguador de caucho del aditamento esté posicionado a la distancia deseada de la punta del cincel para lograr una recolección de polvo óptima. Cierre la palanca de la cinta de fijación para sujetar firmemente el aditamento a la herramienta.

**Nota:** Cuando utilice la función vario-lock™ del 11316EVS (la capacidad para rotar el cincel hasta una posición de trabajo ergonómica), el aditamento HDC300 tendrá que ser retirado temporalmente de la herramienta. Siga las

**FIG. C6**

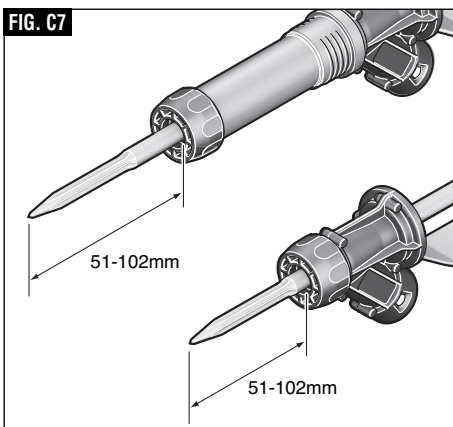
instrucciones de la función vario-lock™ contenidas en las instrucciones de utilización del 11316EVS para rotar el cincel. Reinstale y sujete firmemente el aditamento antes de reanudar el trabajo.

**HDC300****Instrucciones de utilización**

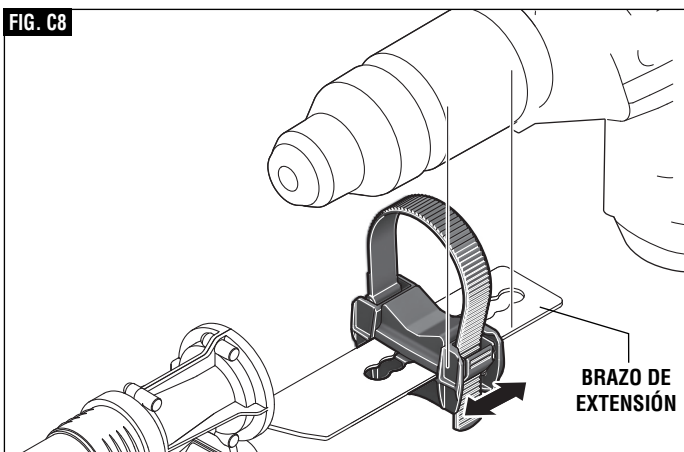
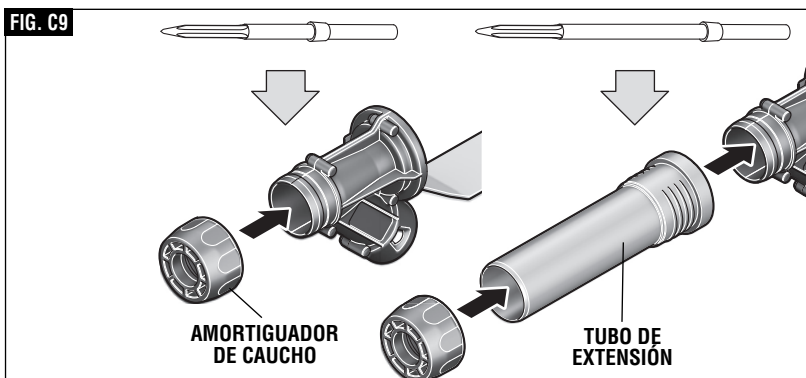
Cincelado solamente: El HDC300 está diseñado para utilizarse para cincelar en materiales de mampostería y concreto con cinceles tanto SDS-max como de vástago acanalado.

El aditamento de extracción de polvo se deberá posicionar aproximadamente a 3 pulgadas de la punta de la broca para obtener los mejores resultados de extracción de polvo (Fig. C7). Usted puede ajustar el posicionamiento del aditamento abriendo la palanca de la cinta de fijación y deslizando el aditamento hacia delante o hacia atrás sobre el tubo del martillo. Para extender el ajuste, el brazo de extensión se puede mover hacia delante o hacia atrás dentro del mecanismo de la cinta de fijación. Cuando haya completado el ajuste, cierre la palanca de la cinta de fijación para reasegurar el aditamento a la herramienta (Fig. C8).

Para cinceles extralargos, el HDC300 viene con un tubo de extensión. Retire el amortiguador de caucho de la carcasa. Instale el tubo de extensión deslizando

**FIG. C7**

la abertura ancha sobre el extremo de la carcasa. Reinstale el amortiguador de caucho en la punta del tubo de extensión (Fig. C9).

**FIG. C8****FIG. C9**

**HDC300****Instrucciones de utilización**

Inserte la manguera del extractor de polvo procedente del extractor de polvo en el orificio para polvo de la unidad de extracción de polvo (Fig. C10).

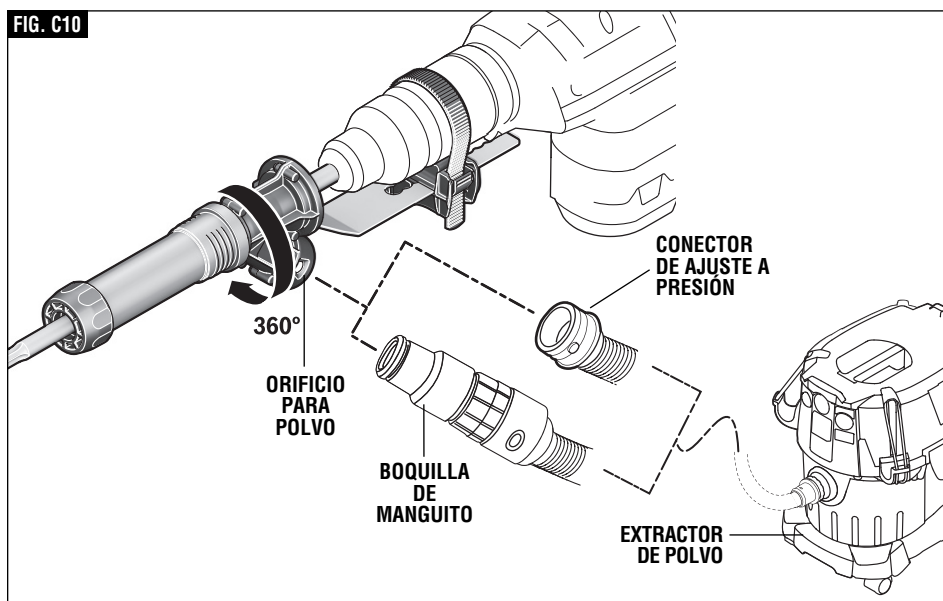
La manguera del extractor de polvo Bosch viene con una boquilla de manguito sujeta a un conector de ajuste a presión (Fig. C10). La boquilla de manguito proporciona la conexión más rápida y más fácil de la boquilla al aditamento. El conector de ajuste a presión brinda una conexión más segura.

Para utilizar el conector de ajuste a presión, retire la boquilla de caucho de la manguera del extractor de polvo. Presione el conector de ajuste a presión hacia

el interior del orificio para polvo hasta que oiga un clic.

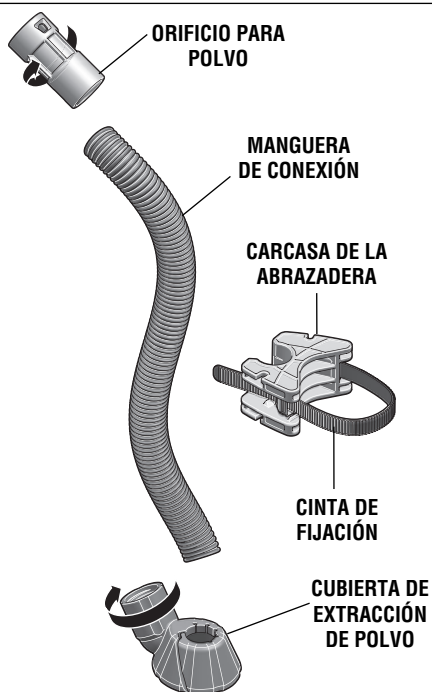
También hay disponibles adaptadores de orificio para polvo con el fin de conectar el aditamento de extracción de polvo Bosch a cualquier manguera de extractor de polvo de tamaño común. Visite [Boschtools.com](http://Boschtools.com) para obtener detalles.

Encienda el extractor de polvo y coloque la herramienta / el aditamento sobre la ubicación de cincelado deseada. Siga todas las instrucciones de seguridad y utilización de la herramienta.



**HDC400****Descripción funcional y especificaciones****ADVERTENCIA**

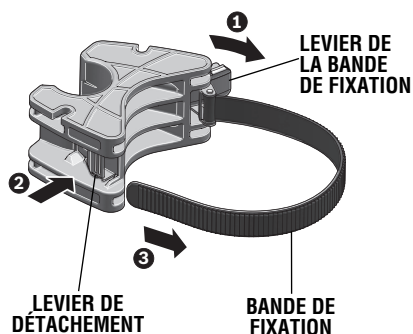
Para reducir el riesgo de lesiones, el usuario debe leer el manual de instrucciones para el uso de la herramienta con este aditamento.

**GUARDE ESTAS INSTRUCCIONES****FIG. D1****HDC400****Ensamblaje**

**Desconecte el enchufe de la fuente de energía antes de realizar cualquier ensamblaje o ajuste, o cambiar accesorios.** Estas medidas de seguridad preventivas reducen el riesgo de arrancar la herramienta accidentalmente.

Nota: asegúrese de que el cincel deseado esté instalado en el martillo antes de ensamblar el aditamento de recolección de polvo.

Abra completamente la palanca de la cinta de fijación ubicada en la carcasa de la abrazadera. Empuje la palanca de liberación y jale hacia fuera la cinta de fijación. Vea la figura D2. Posicione el aditamento sobre el tubo del martillo de la herramienta, enrolle la cinta de fijación alrededor del tubo del martillo e insértela de vuelta en la palanca de liberación. La cinta de fijación deberá descansar holgadamente sobre el

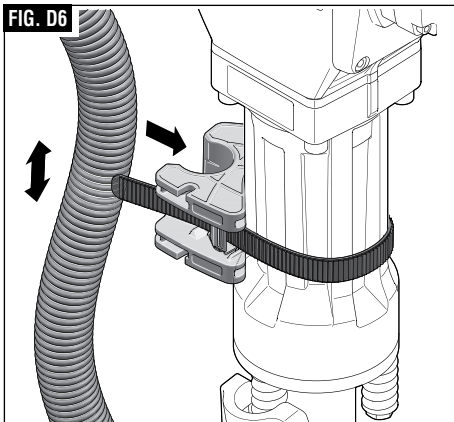
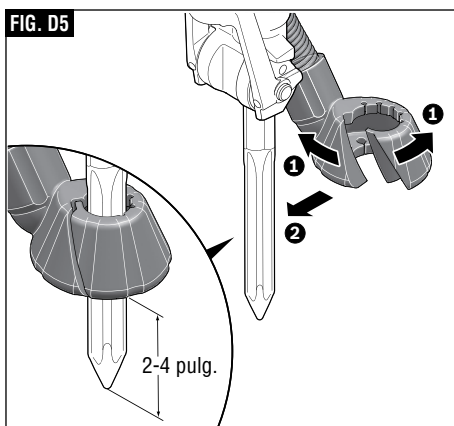
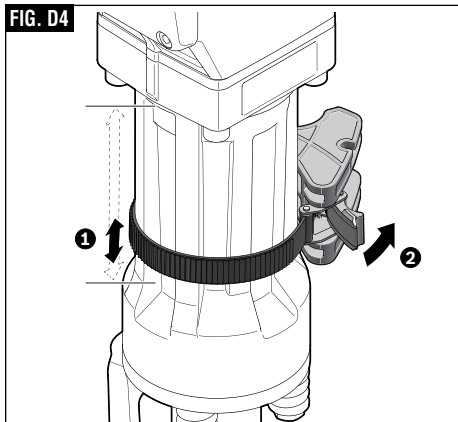
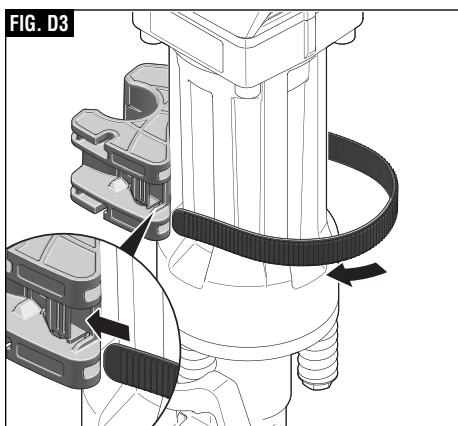
**FIG. D2**

**HDC400****Ensamblaje**

tubo del martillo. Luego, cierre la palanca de la cinta de fijación para sujetar firmemente el aditamento en la herramienta. Haga una prueba para asegurarse de que no haya resbalamiento (Fig. D3, D4). Si es necesario, puede que tenga que apretar o aflojar la cinta en la palanca de liberación para lograr el ajuste más seguro.

Inserte la cubierta de extracción de polvo sobre el

cincel hexagonal de 1-1/8 pulgadas (Fig. D5). Para obtener resultados óptimos de recolección de polvo, la cubierta se deberá posicionar a una distancia de 2 a 4 pulgadas de la punta del cincel. Inserte la manguera de conexión en la carcasa de la abrazadera (Fig. D6). Nota: debería haber muy poca holgura o no debería haber holgura de la manguera entre la carcasa de la abrazadera y la cubierta.



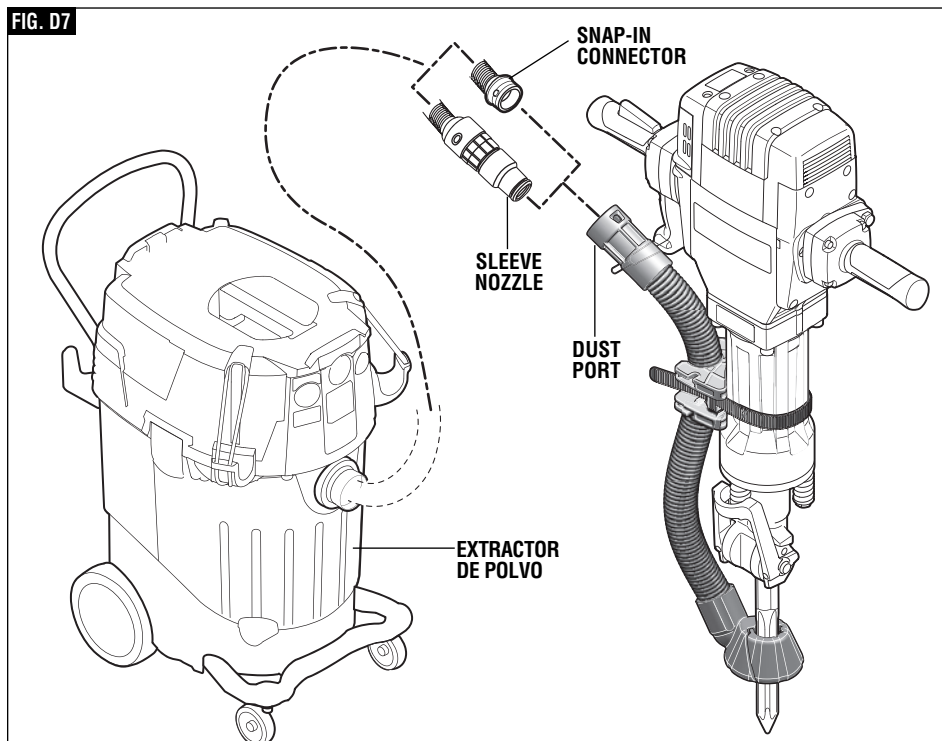
**HDC400****Instrucciones de utilización**

**Cinzelado solamente:** El HDC400 está diseñado para utilizarse para cincelar/demoler materiales de concreto y de mampostería con cinceles hexagonales de 1-1/8 pulgadas.

El aditamento de extracción de polvo se deberá posicionar a una distancia de aproximadamente 2 a 4 pulgadas de la punta de la broca para obtener los mejores resultados de extracción de polvo (Fig. D5). Usted puede ajustar el posicionamiento del aditamento abriendo la palanca de la cinta de fijación y deslizando el aditamento hacia arriba o hacia abajo

por el tubo del martillo. Cuando haya completado la operación, cierre la palanca de la cinta de fijación para reasegurar el aditamento a la herramienta (Fig. D4)

Para extender el ajuste, la manguera también se puede mover hacia arriba o hacia abajo dentro de la carcasa de la abrazadera. Retire la manguera de la carcasa, posicione la manguera de manera que la cubierta esté posicionada para que la recolección de polvo sea óptima y luego inserte la manguera de vuelta en la carcasa de la abrazadera (Fig. D6).



Inserte la manguera del extractor de polvo procedente del extractor de polvo en el orificio para polvo de la unidad de extracción de polvo (Fig. D7).

La manguera del extractor de polvo Bosch viene con una boquilla de manguito sujeta a un conector de ajuste a presión (Fig. D7). La boquilla de manguito proporciona la conexión más rápida y más fácil de la boquilla al aditamento. El conector de ajuste a presión brinda una conexión más segura.

Para utilizar el conector de ajuste a presión, retire la boquilla de caucho de la manguera del extractor de polvo. Presione el conector de ajuste a presión hacia

el interior del orificio para polvo hasta que oiga un clic.

También hay disponibles adaptadores de orificio para polvo con el fin de conectar el aditamento de extracción de polvo Bosch a cualquier manguera de extractor de polvo de tamaño común. Visite [Boschtools.com](http://Boschtools.com) para obtener detalles.

Encienda el extractor de polvo y coloque la herramienta / el aditamento sobre la ubicación de cincelado deseada. Siga todas las instrucciones de seguridad y utilización de la herramienta.

## Consejos para la herramienta

### TALADRADO DE MADERA O PLASTICO

**⚠ PRECAUCION** No taladre en madera con el sistema de extracción de polvo montado. Generalmente, las virutas de madera son demasiado grandes y obstruirán el canal para polvo.

Si no se utiliza un bloque de refuerzo, disminuya la presión justo antes de que la broca atraviese completamente la madera para evitar el astillado. Termine el agujero desde la parte posterior inmediatamente después de que la punta atraviese la pieza de trabajo. Si la broca se atasca, invierta la operación de taladrado para ayudar a sacar la broca de la pieza de trabajo.

### TALADRADO DE METAL

**⚠ ADVERTENCIA** No taladre en metal con el sistema de extracción de polvo montado. Las virutas metálicas calientes se pueden autoincendiar o pueden incendiar las piezas del sistema de extracción de polvo.

## Mantenimiento

### Servicio

**⚠ ADVERTENCIA** El mantenimiento preventivo realizado por personal no autorizado puede dar lugar a la colocación incorrecta de cables y componentes internos que podría constituir un peligro serio. Recomendamos que todo el servicio de las herramientas sea realizado por un Centro de servicio de fábrica Bosch o por una Estación de servicio Bosch autorizada.

### Limpieza

**⚠ ADVERTENCIA** Para evitar accidentes desconecte siempre la herramienta de la fuente de energía antes de la limpieza o de la realización de cualquier mantenimiento. La herramienta se puede limpiar más eficazmente con aire comprimido seco. Use gafas de seguridad siempre que limpie herramientas con aire comprimido.

Las aberturas de ventilación y las palancas de interruptor deben mantenerse limpias y libres de materias extrañas. No intente limpiar introduciendo objetos puntiagudos a través de las aberturas.

**⚠ PRECAUCION** Ciertos agentes de limpieza y disolventes dañan las piezas de plástico. Algunos de estos son: gasolina, tetracloruro de carbono, disolventes de limpieza clorados, amoníaco y detergentes domésticos que contienen amoníaco.

**LIMITED WARRANTY OF BOSCH PORTABLE AND BENCHTOP POWER TOOLS**

Robert Bosch Tool Corporation ("Seller") warrants to the original purchaser only, that all BOSCH portable and benchtop power tools will be free from defects in material or workmanship for a period of one year from date of purchase. SELLER'S SOLE OBLIGATION AND YOUR EXCLUSIVE REMEDY under this Limited Warranty and, to the extent permitted by law, any warranty or condition implied by law, shall be the repair or replacement of parts, without charge, which are defective in material or workmanship and which have not been misused, carelessly handled, or misrepaired by persons other than Seller or Authorized Service Station. To make a claim under this Limited Warranty, you must return the complete portable or benchtop power tool product, transportation prepaid, to any BOSCH Factory Service Center or Authorized Service Station. For Authorized BOSCH Power Tool Service Stations, please refer to your phone directory.

THIS LIMITED WARRANTY DOES NOT APPLY TO ACCESSORY ITEMS SUCH AS CIRCULAR SAW BLADES, DRILL BITS, ROUTER BITS, JIGSAW BLADES, SANDING BELTS, GRINDING WHEELS AND OTHER RELATED ITEMS.

ANY IMPLIED WARRANTIES SHALL BE LIMITED IN DURATION TO ONE YEAR FROM DATE OF PURCHASE. SOME STATES IN THE U.S., SOME CANADIAN PROVINCES DO NOT ALLOW LIMITATIONS ON HOW LONG AN IMPLIED WARRANTY LASTS, SO THE ABOVE LIMITATION MAY NOT APPLY TO YOU.

IN NO EVENT SHALL SELLER BE LIABLE FOR ANY INCIDENTAL OR CONSEQUENTIAL DAMAGES (INCLUDING BUT NOT LIMITED TO LIABILITY FOR LOSS OF PROFITS) ARISING FROM THE SALE OR USE OF THIS PRODUCT. SOME STATES IN THE U.S. AND SOME CANADIAN PROVINCES DO NOT ALLOW THE EXCLUSION OR LIMITATION OF INCIDENTAL OR CONSEQUENTIAL DAMAGES, SO THE ABOVE LIMITATION OR EXCLUSION MAY NOT APPLY TO YOU.

THIS LIMITED WARRANTY GIVES YOU SPECIFIC LEGAL RIGHTS, AND YOU MAY ALSO HAVE OTHER RIGHTS WHICH VARY FROM STATE TO STATE IN THE U.S., PROVINCE TO PROVINCE IN CANADA AND FROM COUNTRY TO COUNTRY.

THIS LIMITED WARRANTY APPLIES ONLY TO PORTABLE AND BENCHTOP ELECTRIC TOOLS SOLD WITHIN THE UNITED STATES OF AMERICA, CANADA AND THE COMMONWEALTH OF PUERTO RICO. FOR WARRANTY COVERAGE WITHIN OTHER COUNTRIES, CONTACT YOUR LOCAL BOSCH DEALER OR IMPORTER.

**GARANTIE LIMITÉE DES OUTILS ÉLECTRIQUES PORTATIFS ET D'ÉTABLI BOSCH**

Robert Bosch Tool Corporation (le « vendeur ») garantit à l'acheteur initial seulement que tous les outils électriques portatifs et d'établi BOSCH seront exempts de vices de matériaux ou d'exécution pendant une période d'un an depuis la date d'achat. LA SEULE OBLIGATION DU VENDEUR ET LE SEUL RECOURS DE L'ACHETEUR sous la présente garantie limitée, et en autant que la loi le permette sous toute garantie ou condition implicite qui en découlerait, sera l'obligation de remplacer ou réparer gratuitement les pièces défectueuses matériellement ou comme fabrication, pourvu que lesdites déficiences ne soient pas attribuables à un usage abusif ou à quelque réparation bicolée par quelqu'un d'autre que le vendeur ou le personnel d'une station-service agréée. Pour présenter une réclamation en vertu de cette garantie limitée, vous devez renvoyer l'outil électrique portatif ou d'établi complet, port payé, à tout centre de service agréé ou centre de service usine. Veuillez consulter votre annuaire téléphonique pour les adresses.

LA PRÉSENTE GARANTIE NE S'APPLIQUE PAS AUX ACCESSOIRES TELS QUE LAMES DE SCIES CIRCULAIRES, MÊCHES DE PERCEUSES, FERS DE TOUPIES, LAMES DE SCIES SAUTEUSES, COURROIES DE PONÇAGE, MEULES ET AUTRES ARTICLES DU GENRE.

TOUTE GARANTIE IMPLICITE SERA LIMITÉE COMME DURÉE À UN AN À COMPTER DE LA DATE D'ACHAT. CERTAINS ÉTATS AMÉRICAINS, CERTAINES PROVINCES CANADIENNES N'ADMETTANT PAS LE PRINCÍPE DE LA LIMITATION DE LA DURÉE DES GARANTIES IMPLICITES, IL EST POSSIBLE QUE LES LIMITATIONS CI-DESSUS NE S'APPLIQUENT PAS À VOTRE CAS.

EN AUCUN CAS LE VENDEUR NE SAURAIT ÊTRE TENU POUR RESPONSABLE DES INCIDENTS OU DOMMAGES INDIRECTS (INCLUANT, MAIS NE SE LIMITANT PAS AUX PERTES DE PROFITS) CONSÉCUTIFS À LA VENTE OU L'USAGE DE CE PRODUIT. CERTAINS ÉTATS AMÉRICAINS ET CERTAINES PROVINCES CANADIENNES N'ADMETTANT PAS LE PRINCÍPE DE LA LIMITATION NI L'EXCLUSION DES DOMMAGES INDIRECTS ET CONSÉQUENTIELS, IL EST POSSIBLE QUE LES LIMITATIONS OU EXCLUSIONS CI-DESSUS NE S'APPLIQUENT PAS À VOTRE CAS.

LA PRÉSENTE GARANTIE VOUS ACCORDE DES DROITS BIEN DÉTERMINÉS, Y COMPRIS POSSIBLEMENT CERTAINS DROITS VARIABLES DANS LES DIFFÉRENTS ÉTATS AMÉRICAINS, PROVINCES CANADIENNE ET DE PAYS À PAYS.

CETTE GARANTIE LIMITÉE NE S'APPLIQUE QU'AUX OUTILS ÉLECTRIQUES PORTATIFS ET D'ÉTABLI VENDUS AUX ÉTATS-UNIS D'AMÉRIQUE, AU CANADA ET AU COMMONWEALTH DE PORTO RICO. POUR COUVERTURE DE GARANTIE DANS LES AUTRES PAYS, CONTACTEZ VOTRE IMPORTATEUR OU REVENEUR BOSCH LOCAL.

**GARANTIA LIMITADA PARA HERRAMIENTAS MECANICAS PORTATILES Y PARA TABLERO DE BANCO BOSCH**

Robert Bosch Tool Corporation ("el Vendedor") garantiza, únicamente al comprador original, que todas las herramientas mecánicas portátiles y para tablero de banco BOSCH estarán libres de defectos de material o de fabricación durante un periodo de un año a partir de la fecha de compra. LA ÚNICA OBLIGACION DEL VENDEDOR Y EL RECURSO EXCLUSIVO QUE USTED TIENE bajo esta Garantía Limitada y, hasta donde la ley lo permita, bajo cualquier garantía o condición implícita por ley, consistirá en la reparación o sustitución sin costo de las piezas que presenten defectos de material o de fabricación y que no hayan sido utilizadas incorrectamente, manejadas descuidadamente o reparadas incorrectamente por personas que no sean el Vendedor o una Estación de servicio autorizada. Para efectuar una reclamación bajo esta Garantía Limitada, usted debe devolver el producto, que consiste en la herramienta mecánica portátil o para tablero de banco completa, con el transporte pagado, a cualquier Centro de servicio de fábrica o Estación de servicio autorizada. Para Estaciones de servicio autorizadas de herramientas mecánicas BOSCH, por favor, consulte el directorio telefónico.

ESTA GARANTIA LIMITADA NO SE APLICA A ARTICULOS ACCESORIOS TALES COMO HOJAS PARA SIERRAS CIRCULARES, BROCAS PARA TALADROS, BROCAS PARA FRESADORAS, HOJAS PARA SIERRAS DE VAIVEN, CORREAS PARA LIJAR, RUEDAS DE AMOLAR Y OTROS ARTICULOS RELACIONADOS.

TODAS LAS GARANTIAS IMPLICITAS TENDRAN UNA DURACION LIMITADA A UN AÑO A PARTIR DE LA FECHA DE COMPRA. ALGUNOS ESTADOS DE LOS EE.UU. Y ALGUNAS PROVINCIAS CANADIENNES NO PERMITEN LIMITACIONES EN CUANTO A LA DURACION DE UNA GARANTIA IMPLICITA, POR LO QUE ES POSIBLE QUE LA LIMITACION ANTERIOR NO SEA APLICABLE EN EL CASO DE USTED.

EL VENDEDOR NO SERA RESPONSABLE EN NINGUN CASO DE NINGUN DAÑO INCIDENTAL O EMERGENTE (INCLUYENDO PERO NO LIMITADO A RESPONSABILIDAD POR PERDIDA DE BENEFICIOS) QUE SE PRODUZCA COMO CONSECUENCIA DE LA VENTA O UTILIZACION DE ESTE PRODUCTO. ALGUNOS ESTADOS DE LOS EE.UU. Y ALGUNAS PROVINCIAS CANADIENNES NO PERMITEN LA EXCLUSION O LIMITACION DE LOS DAÑOS INCIDENTALES O EMERGENTES, POR LO QUE ES POSIBLE QUE LA LIMITACION O EXCLUSION ANTERIOR NO SEA APLICABLE EN EL CASO DE USTED.

ESTA GARANTIA LIMITADA LE CONFIERE A USTED DERECHOS LEGALES ESPECIFICOS Y ES POSIBLE QUE USTED TAMBIEN TENGA OTROS DERECHOS QUE VARIAN DE ESTADO A ESTADO EN LOS EE.UU., DE PROVINCIA A PROVINCIA EN CANADA Y DE UN PAIS A OTRO.

ESTA GARANTIA LIMITADA SE APLICA SOLAMENTE A HERRAMIENTAS ELECTRICAS PORTATILES Y PARA TABLERO DE BANCO VENDIDAS EN LOS ESTADOS UNIDOS DE AMERICA, CANADA Y EL ESTADO LIBRE ASOCIADO DE PUERTO RICO. PARA COBERTURA DE GARANTIA EN OTROS PAISES, PONGASE EN CONTACTO CON SU DISTRIBUIDOR O IMPORTADOR LOCAL DE BOSCH.

© Robert Bosch Tool Corporation 1800 W. Central Road Mt. Prospect, IL 60056-2230

Exportado por: Robert Bosch Tool Corporation Mt. Prospect, IL 60056-2230, E.U.A.

Importado en México por: Robert Bosch, S.A. de C.V., Calle Robert Bosch No. 405, Zona Industrial, Toluca, Edo. de México, C.P. 50070, Tel. (722) 2792300



2 6 1 0 0 4 8 7 6 1