

**IMPORTANT**  
Read Before Using

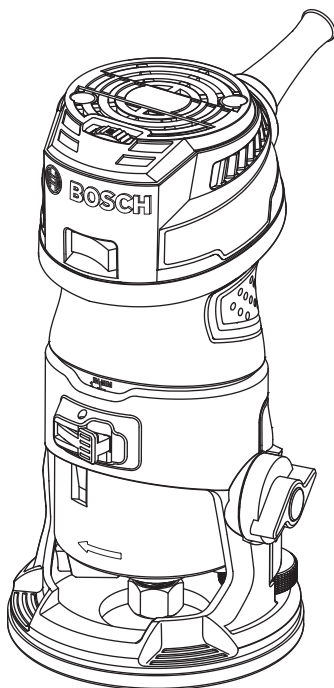
**IMPORTANT**  
Lire avant usage

**IMPORTANTE**  
Leer antes de usar



**Operating / Safety Instructions**  
**Consignes d'utilisation/de sécurité**  
**Instrucciones de funcionamiento y seguridad**

**GKF125CE**



**BOSCH**

Call Toll Free for Consumer Information and Service Locations

Pour obtenir des informations et les adresses de nos centres de service après-vente, appelez ce numéro gratuit

Llame gratis para obtener información para el consumidor y ubicaciones de servicio

**1-877-BOSCH99 (1-877-267-2499) [www.boschtools.com](http://www.boschtools.com)**





For English Version  
See page 2

Version française  
Voir page 26

Versión en español  
Ver la página 53

## Safety Symbols

The definitions below describe the level of severity for each signal word. Please read the manual and pay attention to these symbols.

	This is the safety alert symbol. It is used to alert you to potential personal injury hazards. Obey all safety messages that follow this symbol to avoid possible injury or death.
	DANGER indicates a hazardous situation which, if not avoided, will result in death or serious injury.
	WARNING indicates a hazardous situation which, if not avoided, could result in death or serious injury.
	CAUTION indicates a hazardous situation which, if not avoided, could result in minor or moderate injury.

## General Power Tool Safety Warnings

**WARNING** Read and understand all instructions before using this appliance. Failure to follow all instructions listed below, may result in electric shock, fire and/or serious personal injury.

### SAVE THESE INSTRUCTIONS

#### ► Work area safety

**Keep work area clean and well lit.** Cluttered or dark areas invite accidents.

**Do not operate power tools in explosive atmospheres, such as in the presence of flammable liquids, gases or dust.** Power tools create sparks which may ignite the dust or fumes.

**Keep children and bystanders away while operating a power tool.** Distractions can cause you to lose control.

#### ► Electrical safety

**Power tool plugs must match the outlet. Never modify the plug in any way. Do not use any adapter plugs with earthed (grounded) power tools.** Unmodified plugs and matching outlets will reduce risk of electric shock.

**Avoid body contact with earthed or grounded surfaces such as pipes, radiators, ranges and refrigerators.** There is an increased risk of electric shock if your body is earthed or grounded.

**Do not expose power tools to rain or wet conditions.** Water entering a power tool will increase the risk of electric shock.

**Do not abuse the cord. Never use the cord**

**for carrying, pulling or unplugging the power tool. Keep cord away from heat, oil, sharp edges or moving parts.** Damaged or entangled cords increase the risk of electric shock.

**When operating a power tool outdoors, use an extension cord suitable for outdoor use.** Use of a cord suitable for outdoor use reduces the risk of electric shock.

**If operating a power tool in a damp location is unavoidable, use a Ground Fault Circuit Interrupter (GFCI) protected supply.** Use of an GFCI reduces the risk of electric shock.

#### ► Personal safety

**Stay alert, watch what you are doing and use common sense when operating a power tool. Do not use a power tool while you are tired or under the influence of drugs, alcohol or medication.** A moment of inattention while operating power tools may result in serious personal injury.

**Use personal protective equipment. Always wear eye protection.** Protective equipment such as dust mask, non-skid safety shoes, hard hat, or hearing protection used for appropriate conditions will reduce personal injuries.

**Prevent unintentional starting. Ensure the switch is in the off-position before connecting to power source and / or battery pack, picking up or carrying the tool.** Carrying power tools with your finger on the switch or energizing power tools that have the switch on invites accidents.

**Remove any adjusting key or wrench before turning the power tool on.** A wrench or a key left attached to a rotating part of the power tool may result in personal injury.

**Do not overreach. Keep proper footing and balance at all times.** This enables better control of the power tool in unexpected situations.

**Dress properly. Do not wear loose clothing or jewelry. Keep your hair, clothing and gloves away from moving parts.** Loose clothes, jewelry or long hair can be caught in moving parts.

**If devices are provided for the connection of dust extraction and collection facilities, ensure these are connected and properly used.** Use of dust collection can reduce dust-related hazards.

---

#### ► Power tool use and care

---

**Do not force the power tool. Use the correct power tool for your application.** The correct power tool will do the job better and safer at the rate for which it was designed.

**Do not use the power tool if the switch does not turn it on and off.** Any power tool that cannot be controlled with the switch is dangerous and must be repaired.

**Disconnect the plug from the power**

**source and/or the battery pack from the power tool before making any adjustments, changing accessories, or storing power tools.** Such preventive safety measures reduce the risk of starting the power tool accidentally.

**Store idle power tools out of the reach of children and do not allow persons unfamiliar with the power tool or these instructions to operate the power tool.** Power tools are dangerous in the hands of untrained users.

**Maintain power tools. Check for misalignment or binding of moving parts, breakage of parts and any other condition that may affect the power tool's operation. If damaged, have the power tool repaired before use.** Many accidents are caused by poorly maintained power tools.

**Keep cutting tools sharp and clean.** Properly maintained cutting tools with sharp cutting edges are less likely to bind and are easier to control.

**Use the power tool, accessories and tool bits etc. in accordance with these instructions, taking into account the working conditions and the work to be performed.** Use of the power tool for operations different from those intended could result in a hazardous situation.

---

#### ► Service

---

**Have your power tool serviced by a qualified repair person using only identical replacement parts.** This will ensure that the safety of the power tool is maintained.

## Safety Rules for Routers

**Hold power tool by insulated gripping surfaces, because the cutter may contact its own cord.** Cutting a "live" wire may make exposed metal parts of the power tool "live" and shock the operator.

**Use clamps or another practical way to secure and support the workpiece to a stable platform.** Holding the work by your hand or against the body leaves it unstable and may lead to loss of control.

**If cutting into existing walls or other blind areas where electrical wiring may exist is unavoidable, disconnect all fuses or circuit breakers feeding this worksite.**

**Always make sure the work surface is free from nails and other foreign objects.** Cutting into a nail can cause the bit and the tool to jump and damage the bit.

**Never hold the workpiece in one hand and the tool in the other hand when in use.**

**Never place hands near or below cutting surface.** Clamping the material and guiding the tool with both hands is safer.

**Never lay workpiece on top of hard surfaces, like concrete, stone, etc...** Protruding cutting bit may cause tool to jump.

**Always wear safety goggles and dust**

**mask. Use only in well ventilated area.**

Using personal safety devices and working in safe environment reduces risk of injury.

**After changing the bits or making any adjustments, make sure the collet nut and any other adjustment devices are securely tightened.** Loose adjustment device can unexpectedly shift, causing loss of control, loose rotating components will be violently thrown.

**Never start the tool when the bit is engaged in the material.** The bit cutting edge may grab the material causing loss of control of the cutter.

**The direction of feeding the bit into the material is very important and it relates to the direction of bit rotation. When viewing the tool from the top, the bit rotates clockwise. Feed direction of cutting must be counter-clockwise.** NOTE: inside and outside cuts will require different feed

direction, refer to section on feeding the router. Feeding the tool in the wrong direction, causes the cutting edge of the bit to climb out of the work and pull the tool in the direction of this feed.

**Never use dull or damaged bits. Sharp bits must be handled with care.** Damaged bits can snap during use. Dull bits require more force to push the tool, possibly causing the bit to break.

**Never touch the bit during or immediately after the use.** After use the bit is too hot to be touched by bare hands.

**Never lay the tool down until the motor has come to a complete standstill.** The spinning bit can grab the surface and pull the tool out of your control.

**Cutter diameter must be at least 1/4" smaller than opening for the bit and cutter.**

## Additional Safety Warnings

**Use only router bits that have shank diameters that match the installed collet.**

Using a router bit that has a smaller shank could cause the bit to come loose during operation and become a projectile.

**Never operate router bits at speeds that are higher than their maximum rated speed.** Router bits running faster than their rated speed can break and fly apart.

GFCI and personal protection devices like electrician's rubber gloves and footwear will further enhance your personal safety.

**Do not use AC only rated tools with a DC power supply.** While the tool may appear to work, the electrical components of the AC rated tool are likely to fail and create a hazard to the operator.

**Keep handles dry, clean and free from oil and grease.** Slippery hands cannot safely control the power tool.

**Use clamps or other practical way to secure and support the workpiece to a stable platform.** Holding the work by hand or against your body leaves it unstable and may lead to loss of control.

**Develop a periodic maintenance schedule for your tool. When cleaning a tool be careful not to disassemble any portion of the tool since internal wires may be misplaced or pinched or safety guard return springs may be improperly mounted.** Certain

cleaning agents such as gasoline, carbon tetrachloride, ammonia, etc. may damage plastic parts.

Risk of injury to user. The power cord must only be serviced by a Bosch Factory Service Center or Authorized Bosch Service Station.

**⚠ WARNING** Some dust created by power sanding, sawing, grinding, drilling, and other construction activities contains chemicals known to cause cancer, birth defects or other reproductive harm. Some examples of these chemicals are:




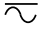

- Lead from lead-based paints,
- Crystalline silica from bricks and cement and other masonry products, and
- Arsenic and chromium from chemically-treated lumber.

Your risk from these exposures varies, depending on how often you do this type of work. To reduce your exposure to these chemicals: work in a well ventilated area, and work with approved safety equipment, such as those dust masks that are specially designed to filter out microscopic particles.



## Symbols

**IMPORTANT:** Some of the following symbols may be used on your tool. Please study them and learn their meaning. Proper interpretation of these symbols will allow you to operate the tool better and safer.

Symbol	Designation/Explanation
V	Volts (voltage)
A	Amperes (current)
Hz	Hertz (frequency, cycles per second)
W	Watt (power)
kg	Kilograms (weight)
min	Minutes (time)
s	Seconds (time)
∅	Diameter (size of drill bits, grinding wheels, etc.)
$n_0$	No load speed (rotational speed at no load)
n	Rated speed (maximum attainable speed)
.../min	Revolutions or reciprocation per minute (revolutions, strokes, surface speed, orbits etc. per minute)
0	Off position (zero speed, zero torque...)
1, 2, 3, ... I, II, III,	Selector settings (speed, torque or position settings. Higher number means greater speed)
	Infinitely variable selector with off (speed is increasing from 0 setting)
	Arrow (action in the direction of arrow)
	Alternating current (type or a characteristic of current)
	Direct current (type or a characteristic of current)
	Alternating or direct current (type or a characteristic of current)
	Class II construction (designates double insulated construction tools)
	Earthing terminal (grounding terminal)

## Symbols (continued)

**IMPORTANT:** Some of the following symbols may be used on your tool. Please study them and learn their meaning. Proper interpretation of these symbols will allow you to operate the tool better and safer.

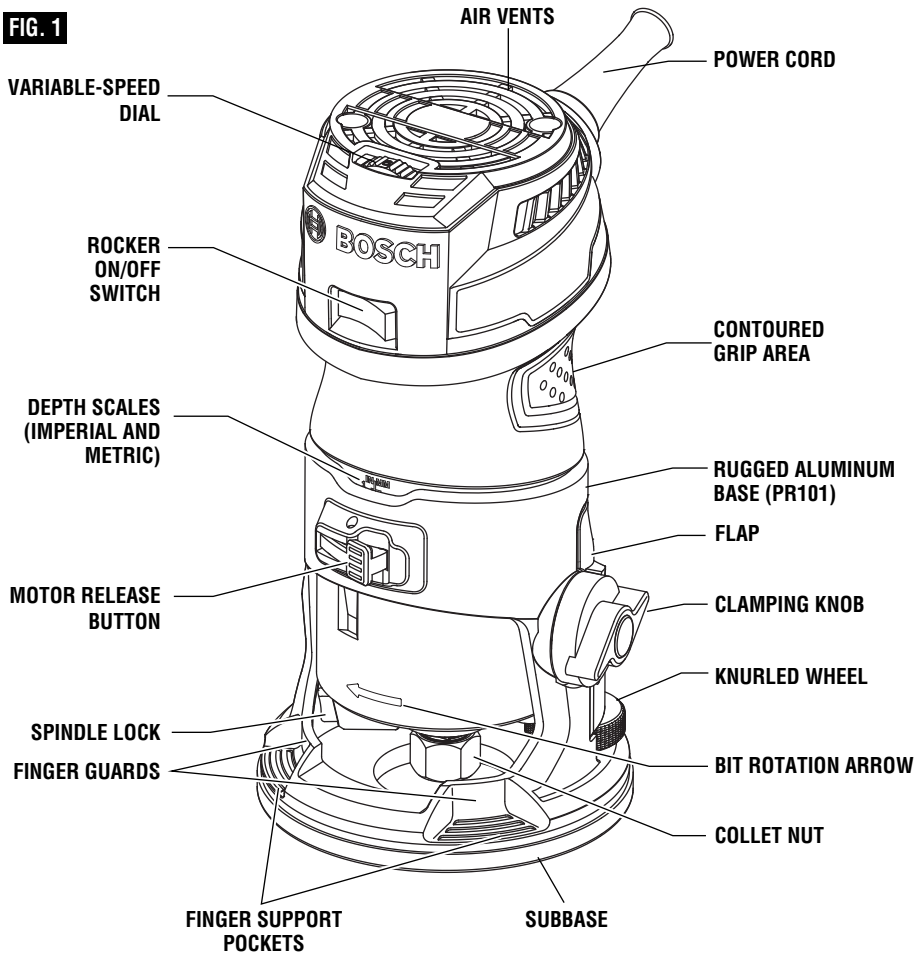
Symbol	Designation / Explanation
	Designates Li-ion battery recycling program
	Designates Ni-Cad battery recycling program
	Alerts user to read manual
	Alerts user to wear eye protection
	This symbol designates that this tool is listed by Underwriters Laboratories.
	This symbol designates that this component is recognized by Underwriters Laboratories.
	This symbol designates that this tool is listed by Underwriters Laboratories, to United States and Canadian Standards.
	This symbol designates that this tool is listed by the Canadian Standards Association.
	This symbol designates that this tool is listed by the Canadian Standards Association, to United States and Canadian Standards.
	This symbol designates that this tool is listed by the Intertek Testing Services, to United States and Canadian Standards.
	This symbol designates that this tool complies to NOM Mexican Standards.

## Functional Description and Specifications

**WARNING** Disconnect the plug from the power source before making any assembly, adjustments or changing accessories. Such preventive safety measures reduce the risk of starting the tool accidentally.

### Fixed-Base Palm Router

**FIG. 1**



<b>Model Number</b>	<b>GKF125CE</b>
Bit Capacity	1/4" shank
Max. Cutter Diameter	*

\* Cutter diameter must be at least 1/4" smaller than opening for the bit and cutter.

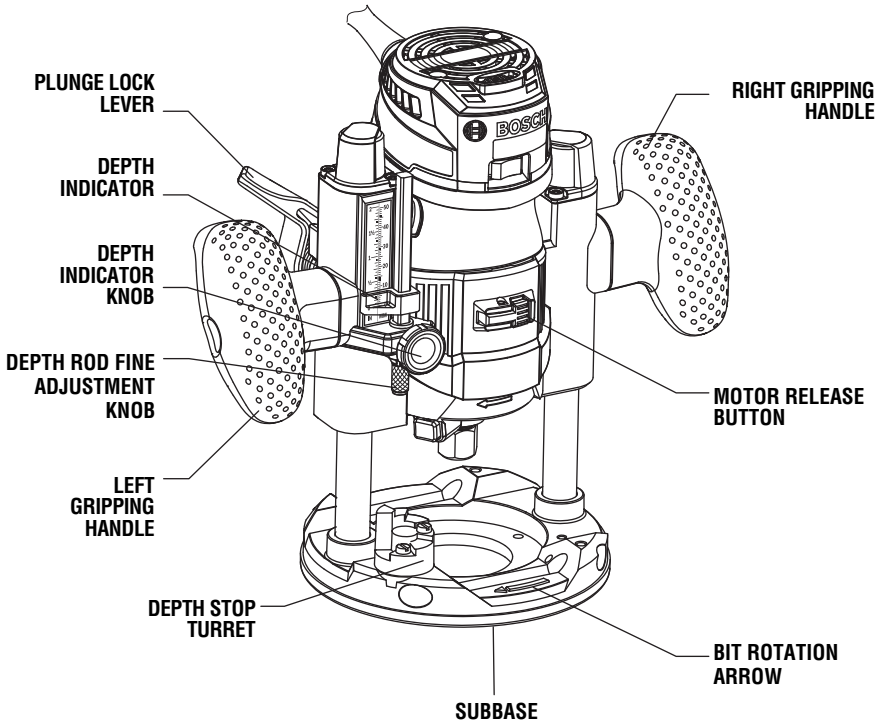
**NOTE:** For tool specifications refer to the nameplate on your tool.

## Functional Description and Specifications

**⚠ WARNING** Disconnect the plug from the power source before making any assembly, adjustments or changing accessories. Such preventive safety measures reduce the risk of starting the tool accidentally.

### Plunge-Base Palm Router Configuration

**FIG. 2**



## Assembly

### ► Selecting Bits

Your Bosch palm router is designed for a wide variety of routing applications that use 1/4" shank bits. These include woodworking applications such as edge forming, grooving, and sign making. This router is also ideal for trimming laminates, phenolics, and other materials that have been bonded to a substrate overhang the substrate typically by about 1/8" (3 mm).

A wide assortment of router bits with different profiles are available as accessories. Only use good quality bits.

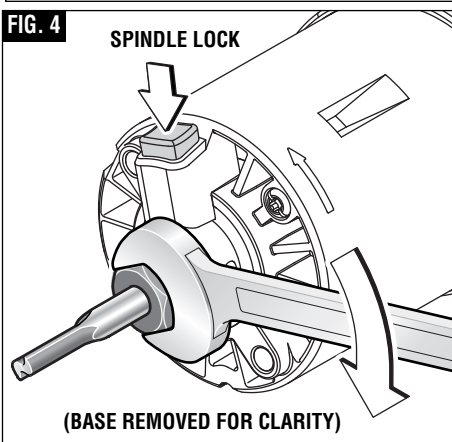
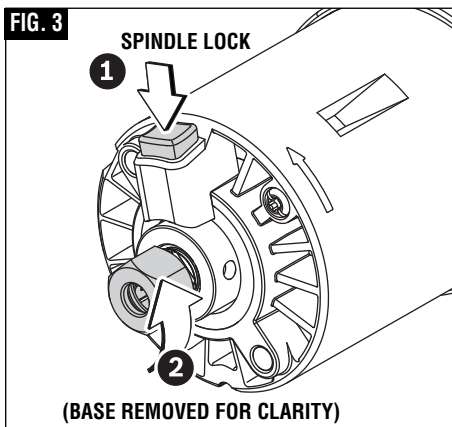
**⚠ WARNING** Use only router bits that have shank diameters that match the installed collet. Using a router bit that has a smaller shank could cause the bit to come loose during operation and become a projectile.

**⚠ WARNING** Never operate router bits at speeds that are higher than their maximum rated speed. Router bits running faster than their rated speed can break and fly apart.

**⚠ WARNING** To prevent personal injury, always remove the plug from power source before removing or installing bits or accessories.

### ► Installing a Router Bit

1. Lay the router or motor on its side. The router can also be stood "on its head" for bit changes.
2. Press spindle lock to prevent rotation of collet chuck. **NOTE:** it may be necessary to rotate collet nut to engage spindle lock (Fig. 3).
3. Next, use the collet wrench to loosen the collet chuck assembly in a counter-clockwise direction (viewed from bottom of router).
4. Insert the shank of the router bit into the collet chuck assembly as far as it will go, then back the shank out until the cutters are



approximately 1/8" to 1/4" away from the collet nut face.

5. With the router bit inserted and the spindle lock engaged, use the collet wrench to firmly tighten the collet chuck assembly in a clockwise direction (viewed from bottom of router) (Fig. 4).

To ensure proper gripping of the router bit and minimize run-out, the shank of the router bit must be inserted at least 5/8".

**⚠ WARNING** Cutter diameter must be at least 1/4" smaller than opening for the bit and cutter.

**⚠ CAUTION** To prevent damage to tool, do not tighten collet without a bit.

## Assembly

**NOTE:** The bit shank and chuck should be clean and free of dust, wood, residue, and grease before assembling.

### ► Removing the Router Bit

1. Press spindle lock to prevent rotation of collet chuck and turn the collet chuck assembly in a counter-clockwise direction.
2. Once the collet chuck assembly is loosened, continue to turn the collet chuck assembly until it pulls the collet free from the spindle, and the router bit can be removed.

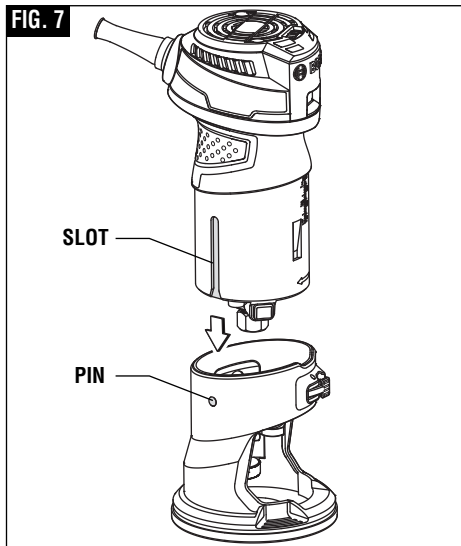
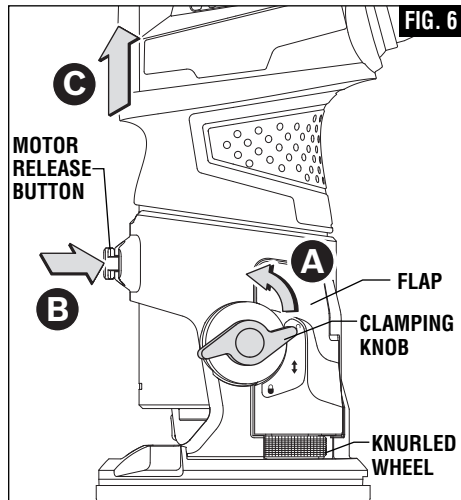
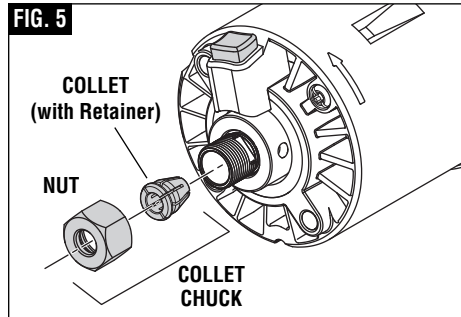
**NOTE:** The collet chuck is self-extracting; it is NOT necessary to strike the collet chuck to free the router bit.

### ► Collet Chuck Care

With the router bit removed, continue to turn the collet chuck counter-clockwise until it is free of the shaft. To assure a firm grip, occasionally blow out the collet chuck with compressed air, and clean the taper in the armature assembly shaft with a tissue or fine brush. The collet chuck is made up of two component parts that snap together (Fig. 5); check to see that the collet is properly seated in the collet chuck and lightly thread the collet chuck back onto the armature shaft. Replace worn or damaged collet chucks immediately.

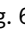
### ► Removing Motor from PR101 Fixed Base

1. Turn the clamping knob to the unlocked position (A, Fig. 6).
2. Pull the motor away from base until it stops. (Do not press on the flap in the base while pulling the motor.) (C, Fig. 6).
3. Press and hold the motor release button. (B, Fig. 6).
4. Pull motor out of base (C, Fig. 6).

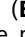


## Assembly

### ► Installing the Motor into PR101 Fixed Base

1. Open the clamping knob to the unlocked position  (A, Fig. 6).
2. Align the slot on the motor with the pin on the base (Fig. 7)

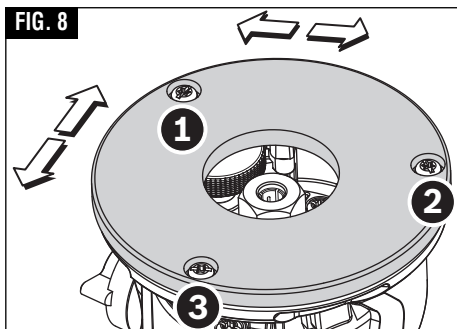
**⚠ WARNING** To avoid pinching injury, keep all parts of your hands away from the top rim of the base and away from metal section of the motor when pushing motor into base.

3. Push the motor into the base to the approximate desired position has been reached. Do not press on the flap in the base while installing the motor.
4. Turn the clamping knob to the bottom, locked position  (E, Fig. 9). Always make sure the motor sits tightly in the base.

### ► Check Subbase Location

**⚠ WARNING** Cutter diameter must be at least 1/4" smaller than opening for the bit and cutter.

Make sure that the bit and its cutter are centered in the subbase opening. If necessary, adjust the location of the subbase as follows:



1. Loosen the three screws that hold the subbase.
2. Adjust the location of the subbase as needed so that the bit and its cutter are centered in the subbase opening. The optional RA1151 centering device makes this easy.
3. Tighten the three screws that hold the subbase (Fig. 8).

When the subbase has been centered in this manner, any part of the subbase can be used as a guiding surface without worrying about a difference in the cut line. See "Guiding The Router" on page 13.

**Note:** This subbase is not designed for use with template guides. The optional PR110 Attachment allows use of template guides with this palm router.


## Operating Instructions

**⚠ WARNING** Disconnect the plug from the power source before making any assembly, adjustments or changing accessories. Such preventive safety measures reduce the risk of starting the tool accidentally.

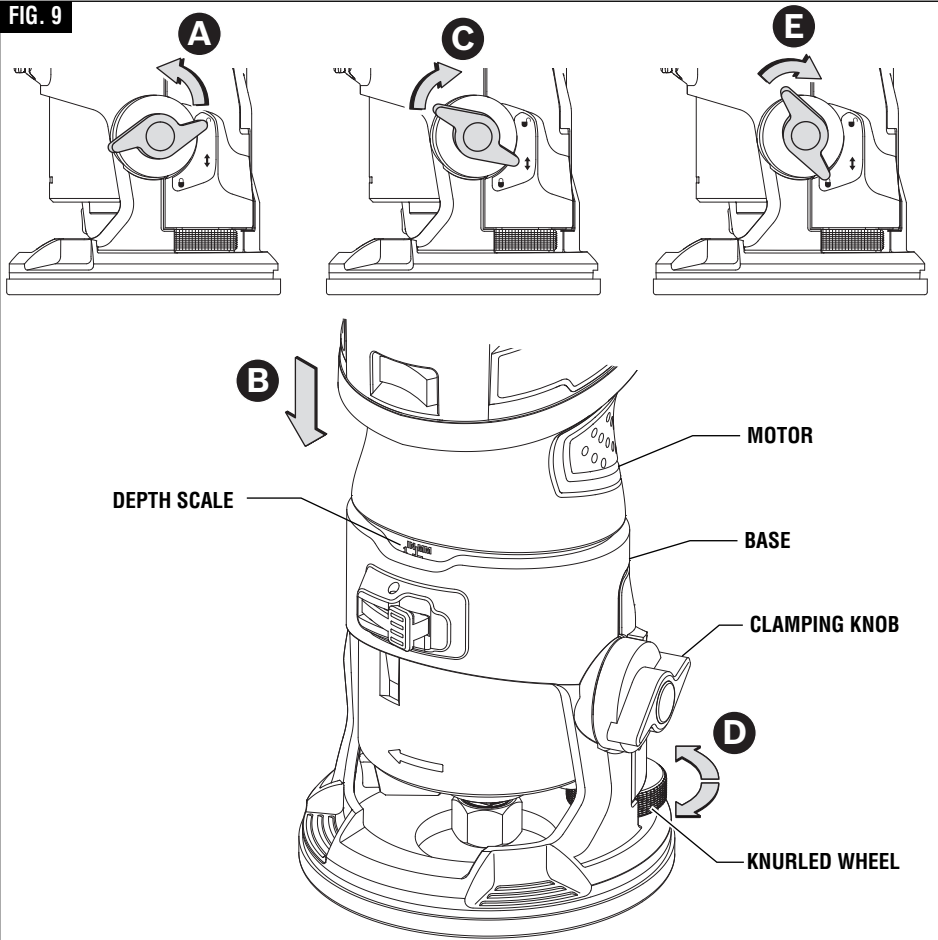
Bosch routers are designed for speed, accuracy and convenience in performing cabinet work, fluting, beading, cove-cutting, rounding edges, dovetailing, etc. They will enable you to accomplish inlay work, decorative edges and many types of special routing.

### ► Setting the Depth of Cut

Adjust the depth-of-cut only when the motor is switched off.

1. Install desired router bit.
2. Place the router on the workpiece.
3. Turn the clamping knob to the top, unlocked position  (A, Fig. 9).
4. Slowly lower the motor until the router bit touches the workpiece (B, Fig. 9)
5. Note the reading on the scale (above the motor release button) and add the desired depth-of-cut to this value to determine the target scale value.

## Operating Instructions

**FIG. 9**


6. Lower the motor until the target scale value is reached.
7. Turn the clamping knob to the middle position  $\updownarrow$  symbol, for fine adjustment (C, Fig. 9). Always make sure the motor is held tightly in the base.
8. Check the depth-of-cut and make fine adjustment if necessary (D, Fig. 9). See FINE DEPTH ADJUSTMENT section below for details.
9. Turn the clamping knob to the bottom, locked position  $\bullet$  (E, Fig. 9). Always make sure the motor sits tightly in the base.

**Note:** the depth of the motor and bit

may shift very slightly when the clamping knob is turned to the locked position.

10. Make a trial cut to verify that the router is set to make the cut as desired.

### ▼ FINE DEPTH ADJUSTMENT

Adjust the depth-of-cut only when the motor is switched off.

1. Turn the clamping to the middle position  $\updownarrow$  symbol, for fine adjustment (C, Fig. 9).
2. Adjust the desired depth-of-cut with the knurled wheel on back of base (D, Fig. 9). Rotate the knurled wheel clockwise to increase the



## Operating Instructions

routing depth, counterclockwise to decrease the cutting depth. Each complete rotation of the dial equals 1.25 mm (approximately 3/64").

- Turn the clamping knob to the bottom, locked position (E, Fig. 9). Always make sure the motor sits tightly in the base.
- Check the depth-of-cut and make an additional fine adjustment if necessary.

**Note:** the depth of the motor and bit may shift very slightly when the clamping knob is turned to the locked position.

- Make a trial cut to verify that the router is set to make the cut as desired.

### ▼ DEEP CUTS

For deep cuts, make several progressively deeper cuts by starting at one depth and then make several subsequent passes, increasing the cutting depth with each pass.

To be certain that your depth settings are as desired, you may want to make test cuts in scrap material before beginning work.

### ▶ Rocker "On/Off" Switch

Your tool can be turned "ON" or "OFF" by the rocker switch located on the motor housing. One side of the switch is marked "I" for "ON", and the other side of switch is marked "O" for "OFF".

**TO TURN THE TOOL "ON":** Push the side of the switch marked "I".

**TO TURN THE TOOL "OFF":** Push the side of the switch marked "O".

### ▼ SOFT START FEATURE

Electronic feedback control minimizes torque twist customary in routers by limiting the speed at which motor starts.

### ▼ ELECTRONIC VARIABLE SPEED CONTROL

The electronic speed control feature allows motor speed to be matched to cutter size and material hardness for improved finish, extended bit life, and

higher performance. Speed changes are achieved by rotating the Control Dial RIGHT to increase speed or LEFT to decrease as indicated on housing (Fig. 1). Speed may be changed while tool is on. The reference numbers on the dial facilitate re-setting control to desired speed.

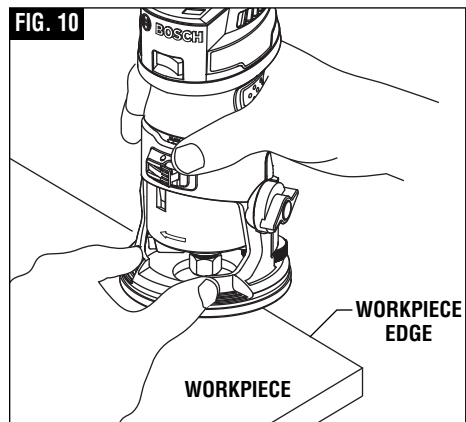
The speed chart indicates the relationship between settings and application, exact settings are determined by operator experience and preference. The bit manufacturer may also have a speed recommendation.

**⚠ WARNING** Never operate router bits at speeds that are higher than their maximum rated speed. Router bits running faster than their rated speed can break and fly apart.

DIAL SETTING	RPM	APPLICATION
1	16000	Larger-diameter bits and cutters.
2	18000	
3	20000	
4	22500	Softwoods, plastics, laminates, smaller diameter bits and cutters
5	27500	
6	35000	

### ▼ CONSTANT RESPONSE™ CIRCUITRY

The router's Constant Response™ Circuitry monitors and adjusts power to maintain the desired RPM for consistent performance and control.



## Operating Instructions

### ► Feeding the Router

In addition to the main palm-grip area at the back of the motor housing and base, the base has Bosch-exclusive finger support pockets to provide additional stability for the router. The pockets feature finger guards to provide a barrier between the finger pockets and the bit area (Fig 10).

**▲ WARNING** When using finger pockets, always place both finger pockets over the workpiece and always hold the router in a way that allows you to see your finger and thumb.

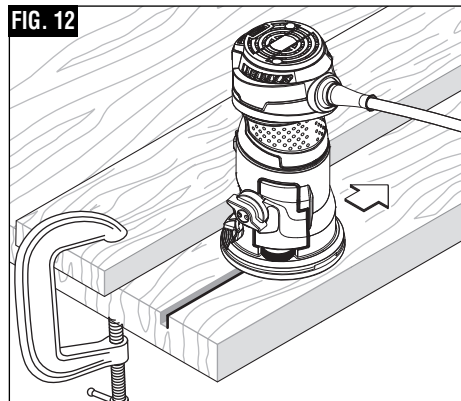
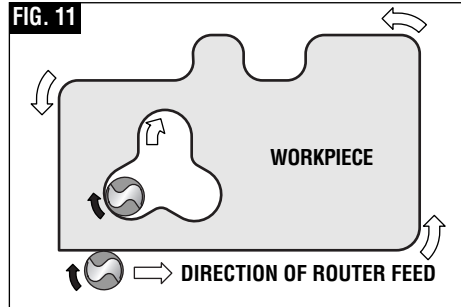
As seen from the top of the router, the bit turns clockwise and the bit's cutting edges are positioned to best cut into the workpiece. Therefore, the most efficient cut is made by feeding the router so that the bit turns into the workpiece, not away. Figure 11 shows proper feed for various cuts. How fast you feed depends on the hardness of the material and the size of the cut. For some materials, it is best to make several cuts of increasing depth.

If the router is hard to control, heats up, runs very slowly or leaves an imperfect cut, consider these causes:

1. Wrong direction of feed – hard to control.
2. Feeding too fast – overloads motor.
3. Dull bit – overloads motor.
4. Cut is too large for one pass – overloads motor.
5. Feeding too slow – leaves friction burns on work.

Feed smoothly and steadily (do not force). You will soon learn how the router sounds and feels when it is working best.

Always hold the router off the work when turning the switch on or off. Contact the work with the router after the router has reached full speed, and remove it from the work before turning the switch off. Operating in this manner will prolong switch and motor life and will greatly increase the quality of your work.



### ▼ RATE OF FEED

When routing or doing related work in wood and plastics, the best finishes will result if the depth of cut and feed rate are regulated to keep the motor operating at high speed. Feed the router at a moderate rate. Soft materials require a faster feed rate than hard materials.

The router may stall if improperly used or overloaded. Reduce the feed rate to prevent possible damage to the tool. Always be sure the collet chuck is tightened securely before use. Always use router bits with the shortest cutting length necessary to produce the desired cut. This will minimize router bit run-out and chatter.

It may be necessary to make the cut in more than one pass with progressively deeper settings to avoid overloading the motor. If the bit cuts freely and the motor does not slow down, the cutting depth is generally correct.

## Operating Instructions

### ▼ GUIDING THE ROUTER

The router can be guided through the work in any of several ways. The method you use depends, of course, on the demands of the particular job and on convenience.

For routing operations such as grooving or dadoing, it is often necessary to guide the tool in a line parallel to a straight edge. One method of obtaining a straight cut is to securely clamp a board or other straightedge to the work surface, and guide the edge of the router sub-base along this path (Fig. 12).

### ▶ PR102 Edge Guide

The edge guide is an optional accessory that will guide the router parallel to a straight edge (Fig. 14).

The edge guide is supplied in two parts held together with a bolt, wing nut and washer.

### ▼ ATTACHING THE EDGE GUIDE

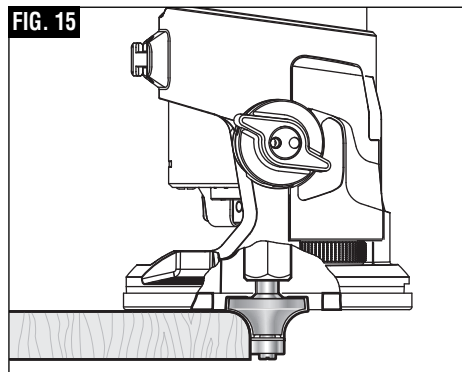
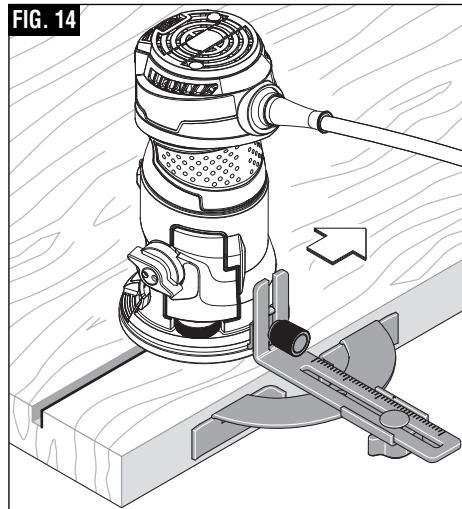
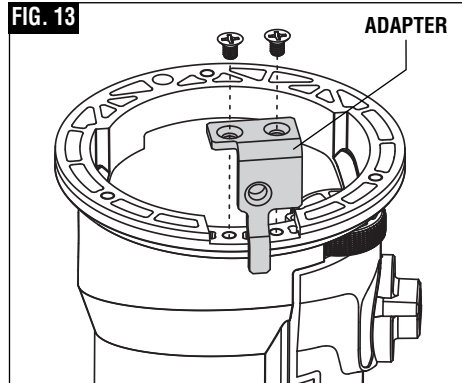
1. Remove the subbase by unscrewing the three screws.
2. Position the adapter in the gap in the base.
3. Fasten the adapter using the two Philips screws (Fig. 13).
4. Reattach the subbase.

**Note:** See “Check Subbase Location” section on how to center the subbase.

5. Attach the edge guide to the adapter using the knurled screw with two washers (Fig. 14).

The guide features a scale for accurately positioning the edge guide relative to the bit. With the guide installed and adjusted, the router should be fed normally, keeping the guide in contact with the edge of the workpiece at all times.

The edge guide can also be positioned directly under the router base for operations where a cut is needed close to or at the edge of the work, such as when rounding off deck planks.



## Operating Instructions

### ▼ USING SELF-PILOTED BITS

Self-piloted bits have an integral round tip or ball bearing which rides against the work surface above or below the cutter to control horizontal cutting depth (Fig. 15). When using these bits, neither the roller guide or the straight guide is required. When guiding against a laminated surface, use wax or other lubricant and do not apply excess pressure or the piloted end may mar the work. Bearing pilots must be kept clean and free of adhesive or other residue. Router bit bearings are sealed and permanently lubricated, and should be replaced when they no longer turn freely to avoid damaging the work surface.

### ▶ PR110 Round Subbase and Use of Template Guide Bushings with PR101 Fixed base

#### (Available as optional accessories)

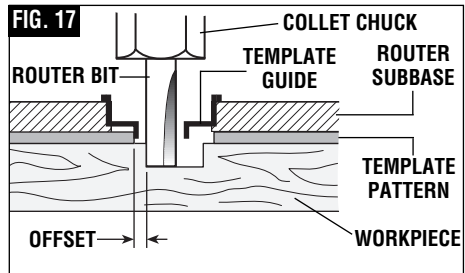
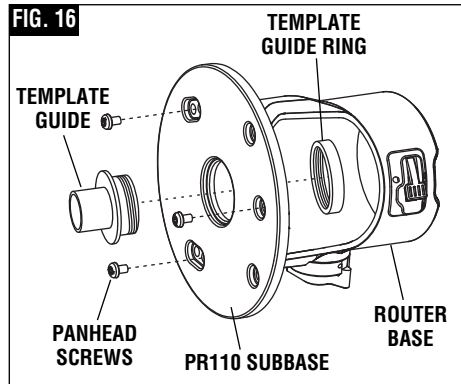
Optional large round subbases are available separately and allow various template guide bushings to be used with the palm routers.

Template guide bushings are used to guide the router to repeatedly make consistent openings and inlays using various templates (also referred to as patterns and jigs). Templates for standard routing applications are available commercially and templates for specialty applications are typically made by users for their specific needs.

The PR110 Round Subbase accepts threaded template guide adapters.

### ▼ PR110 ATTACHMENT ROUND SUBBASE OF THREADED TEMPLATE GUIDE (Fig. 16)

1. Remove regular subbase.
2. Loosely attach round subbase using panhead screws that come with that accessory.
3. Attach the threaded template guide by putting the template guide through the bottom and attaching the ring from the top.



4. Center the template guide around the bit. (The optional Bosch RA1151 Centering device can be used to ensure that the template guide is properly centered.)
5. Tighten the panhead screws to hold the template guide and subbase in position.

### ▼ CREATING TEMPLATES

Template patterns can be made of plywood, hardboard, metal or even plastic. The design can be cut with a router, jigsaw, or other suitable cutting tool. Remember that the pattern will have to be made to compensate for the distance between the router bit and the template guide (the "offset"), as the final workpiece will differ in size from the template pattern by that amount, due to the bit position (Fig. 17).

## Operating Instructions

### ► PR111 Plunge Base

(Included with GKF125CEPK and sold separately)

#### To install motor in plunge base:

1. Release the base clamp lever (Fig. 18).
2. Push the motor into the base as far as it will go.
3. Fasten the base clamp lever.

If additional clamping force is desired: using a 8 mm wrench, rotate clamp nut clockwise SLIGHTLY (1/8 turn or less), then test clamp. Do not over-tighten.

#### To remove motor from plunge base:

1. Release the base clamp lever.
2. Press and hold the motor release button.
3. Pull motor up and out of base.

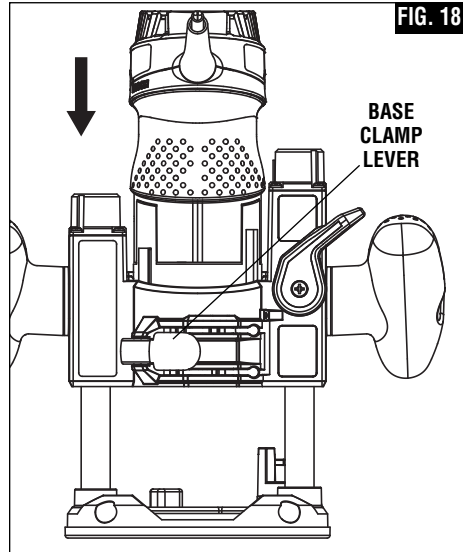


FIG. 18

### ▼ DEPTH ADJUSTMENT

The plunge feature simplifies depth adjustments and will allow the cutting bit to easily and accurately enter the workpiece.

1. To lower, push plunge lock lever to the left, apply downward pressure until you reach desired depth, and release pressure on lever to lock (Fig. 19). The plunge lock lever is spring loaded and returns automatically to the locked position.
2. To raise the router, push plunge lock lever to the left, release pressure on router and the router will automatically retract the bit from the workpiece. It is advisable to retract the bit whenever it is not engaged in workpiece.

### ▼ DEPTH ROD AND TURRET

The depth rod and the depth stop turret are used to control cutting depth as follows;

1. With the bit installed, gently lower the motor until the tip of the router bit just contacts the level surface the router is sitting on. This is the "zero" position, from which further depth adjustments can be accurately made.

2. Rotate depth stop turret until the lowest step is aligned with the depth rod. Loosen depth indicator knob and lower the depth rod until it contacts the lowest step of the turret. Slide the depth indicator until the red line indicates zero on the depth scale, indicating the point at which the bit just contacts the work (Fig. 20).
3. Slide the depth rod up until the red depth indicator line attains the desired cutting depth, and secure the rod in position by firmly tightening the depth indicator knob.

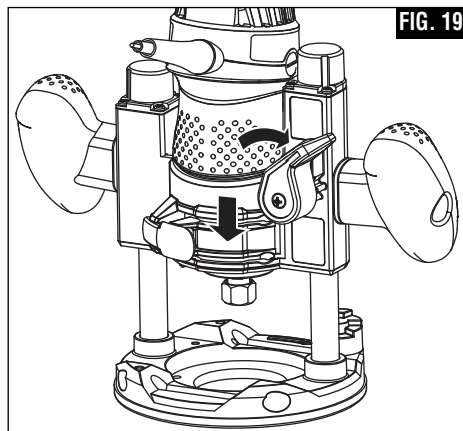
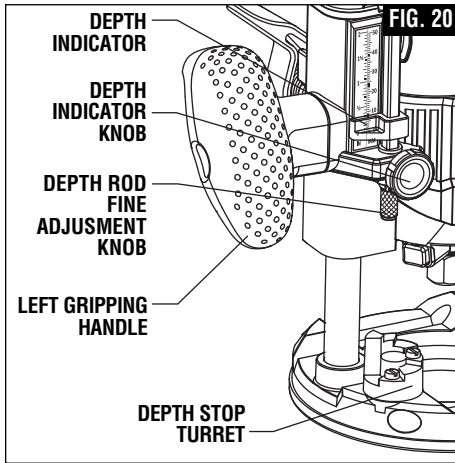


FIG. 19

## Operating Instructions



- The desired depth of cut may now be achieved by plunging the router until the depth rod contacts the lowest stop on the turret.

### ▼ ALTERNATE SET-UP FOR DEPTH ROD AND TURRET

- An alternative to place a jig of the desired routing depth (such as a hinge which needs to be mortised) on the bottom step of the turret.
- Next, lower the depth rod until it contacts the jig.
- Secure the rod in position by firmly tightening the depth indicator knob.
- Finally, remove the jig.

### ▼ DEEP CUTS

For deeper cuts, make several progressively deeper cuts by starting with the highest step on the depth turret, and after each cut, rotate the depth turret to progressively lower steps as desired, until the final depth (lowest step or flat) is reached. Steps progress by 1/8" increments.

To be certain that your depth settings are as desired, you may want to make test cuts in scrap material before beginning work.

### ▼ FINE ADJUSTMENT

The PR111 plunge base is equipped with a fine adjustment system that allows you to micro adjust the plunge

depth of the router bit for superior routing accuracy.

Each complete revolution of the fine adjustment knob adjusts the plunging depth by 1/32", and each of the four indicator marks on the knob represents 1/128".

To use the fine adjustment knob, once the depth rod and turret have been set, check the final depth setting and fine-adjust as follows:

To micro-increase the plunge depth, raise the fine adjustment stop by turning it counter-clockwise by the desired amount.

To micro-reduce the plunge depth, lower the fine adjustment stop by turning it clockwise by the desired amount.

#### Notes:

- When micro-adjusting the plunge depth, it is more convenient to move the fine adjustment stop up than down. Before setting the depth rod and turret, make sure the fine adjustment stop has been turned several revolutions down from its top position so that it can be adjusted upward.
- The fine adjustment stop cannot be used to reduce the plunge depth when the depth rod is already touching the depth stop turret.

The router must be raised before such an adjustment can be made.

### ► Using the Router in the Plunge Base

Grip both of the plunge base's gripping handles while operating (see Fig. 2).

- Turn the router on
- Allow router bit to reach the full speed as set on the dial before plunging the cutter head into the workpiece.
- Press down on the plunge lock lever to allow it to be plunged.
- Plunge the router down until the bit reaches the set depth.
- Lock the plunge lock lever.

## Operating Instructions

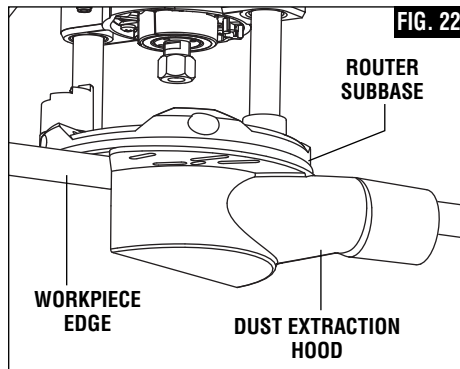
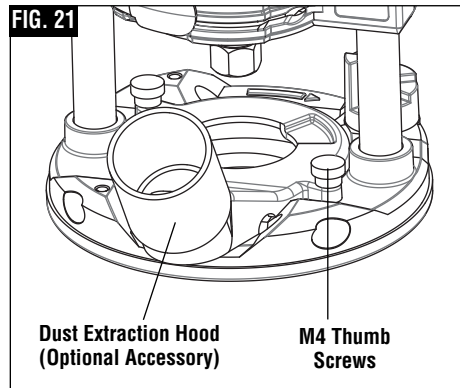
6. Perform the routing operation, following the instructions in the “Feeding the Router” section that begins on page 14 of this manual.
7. Unlock the plunge lock lever. This will allow the router bit to disengage the work.
8. Turn the router off.

### ► The PR012 Router Dust Collection for Plunge Base

This dust extraction hood is designed for use the plunge base (PR111) when routing is done in the middle of the workpiece, such as when creating slots or routing patterns for inlays. If you have a shop vacuum system, you can attach the dust extraction hood for improved visibility, accuracy and utility, particularly in freehand routing.

To attach, position as shown and secure adapter to base with the thumbscrews provided (Fig. 21).

The dust extraction hood can also be installed with the hose outlet facing the front of the tool.



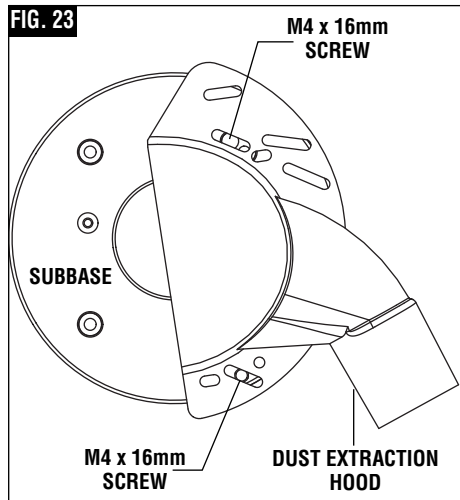
### ► Edgeforming Dust Extraction Hood RA1175

**⚠ WARNING** Do not reach in area of the bit while the router is ON or plugged in. To avoid entangling hoses, do not use this dust extraction hood at the same time as any other dust extraction hood.

This dust extraction hood (optional accessory) is used for dust collection when edge-forming (Fig. 22).

### ▼ ATTACHING DUST EXTRACTION HOOD

You can attach the edge-forming hood in several places according to your needs or preferences. The dust hood is attached to the plunge base using two M4 thumb screws. Two auxiliary holes are provided in the plunge base for attachment. Attach the dust extraction hood – over the router’s sub-base – using the screws provided



with the hood. Securely tighten the screws. (Figures 22 and 23).



## Operating Instructions

### ► Deluxe Router Guide

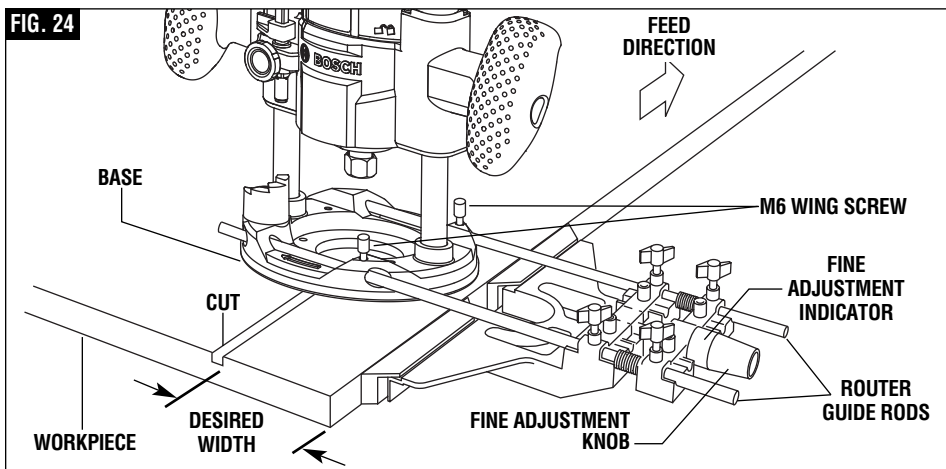
(Not included, available as accessory)  
The Bosch deluxe router guide is an optional accessory that will guide the router parallel to a straight edge or allow you to create circles and arcs.

The deluxe router guide is supplied with two rods and screws to fasten the guide (Fig. 24). In addition, it features a fine adjustment knob and indicator for accurately positioning the edge guide relative to the bit. With the guide installed and adjusted, the

router should be fed normally, keeping the guide in contact with the edge of the workpiece at all times. The deluxe router guide may also be positioned directly under the router base for operations where a cut is needed close to or at the edge of the work.

The deluxe router guide includes a dust extraction hood and the VAC002 vacuum hose adapter.

For complete instructions on installation and operation, please refer to the instructions which are included with this accessory.



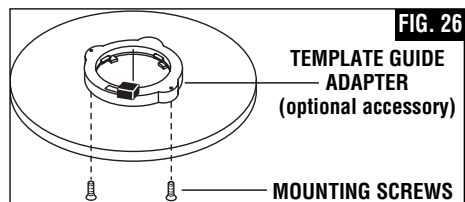
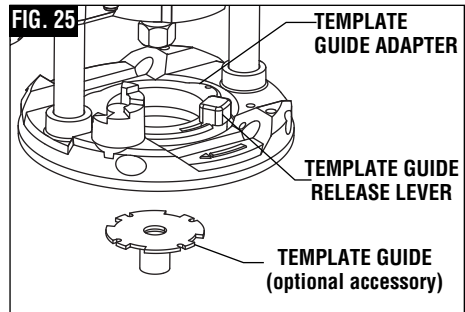
### ► Template Guides

This plunge base can also be used with the optional Bosch-exclusive quick-change template guide system, which firmly grips the guides with a spring-loaded ring. Unlike conventional threaded template guides, there is no threaded ring that can come loose while routing (Fig. 25).

### ▼ INSTALLING TEMPLATE GUIDE ADAPTER

(Not included, available as accessory)

Place template guide adapter over the holes in the center of the sub-base, and align the two threaded holes in the bottom of adapter with the countersunk holes in subbase. Fasten adapter with the screws provided.





## Operating Instructions

Note that the adapter is reversible, so the release lever may be positioned as desired. (Fig. 26)

### ▼ CENTERING THE SUB-BASE OR TEMPLATE GUIDES

Your PR111 plunge base features the Bosch “Precision Centering Design”. Its subbase is precisely centered at the factory. This positions the bit at the center of the subbase and optional template guides.

Precision centering allows you to use the edge of the subbase or template guides to closely follow jigs such as straight guides, templates, and dovetail fixtures without worrying about bit walk-off from the intended cut line for any reason, including the orientation of the router’s handles relative to the jig.

To most precisely re-center the subbase or template guides, attach the subbase using the optional Bosch RA1151 Centering Device. Follow steps 1-8 (Fig. 27).

1. If a template guide is to be centered, install the template guide adapter and template guide (optional attachments) as described elsewhere in this manual.
2. Loosen the four screws that hold

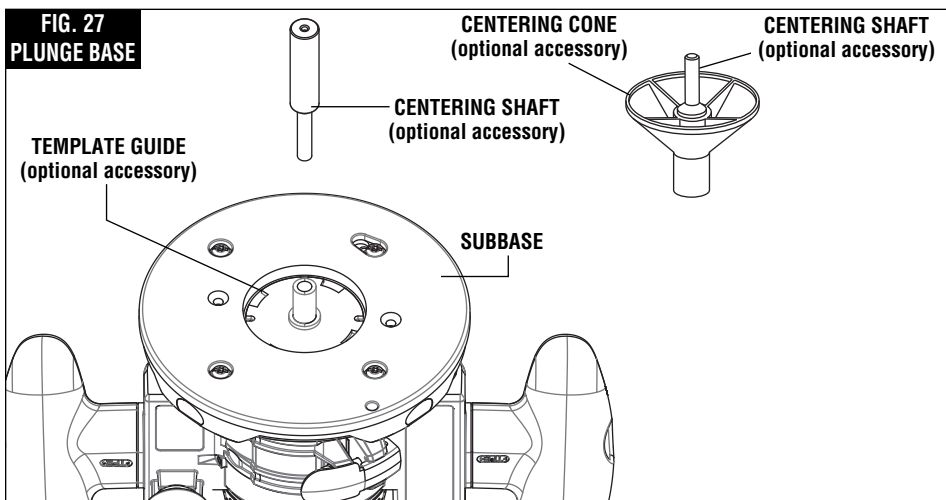
the subbase to the base.

3. Prepare the Centering Device:
  - Use narrow end of steel shaft.
  - When centering subbase or template guide that has opening of more than 1/2”, slide the wide plastic sleeve over the steel shaft.
4. Slide centering sleeve through the subbase or template guide and into collet. Tighten collet nut with fingers to put slight grip on centering cone.
5. Lightly press centering sleeve into sub-base or template guide to center.
6. Tighten the pan-head screws. Remove centering sleeve.
7. The precision centering of the subbase or template guide is complete.

**CENTERING CONE** – Used when centering the subbase itself or wide template guides.

### ▼ MAXIMUM BIT/CUTTER SIZE FOR TEMPLATE GUIDES

When using a template guide, use only router bit with cutters that are 1/16” less than the internal diameter of the template guide, such as in the table below.



## Operating Instructions

### ▼ USE WITH THREADED TEMPLATE GUIDES

Also available as an optional accessory is an additional adapter, the RA1100, that allows use of

conventional threaded template guides with the Bosch quick-release system.

Bosch Template Guide	Bushing Depth	External Diameter	Internal Diameter	Max Bit/Cutter Diameter
	A	B	B	
RA1101	3/16"	5/16"	1/4"	<b>3/16"</b>
RA1103	9/64"	5/16"	17/64"	<b>13/64"</b>
RA1105	9/64"	7/16"	3/8"	<b>5/16"</b>
RA1107	5/16"	7/16"	3/8"	<b>5/16"</b>
RA1109	7/16"	1/2"	13/32"	<b>11/32"</b>
RA1111	3/16"	5/8"	17/32"	<b>15/32"</b>
RA1113	1/2"	5/8"	17/32"	<b>15/32"</b>
RA1115	3/16"	3/4"	21/32"	<b>19/32"</b>
RA1117	31/64"	13/16"	5/8"	<b>9/16"</b>
RA1119	31/64"	1"	25/32"	<b>21/32"</b>
RA1121	7/16"	1-3/8"	1-19/64"	<b>1-15/64"</b>

### ► Attaching a Vacuum / Dust Extractor Hose

The hose ports on the PR012, RA1175 and RA1054 will accept the typical nozzles from 35 mm vacuum cleaner hoses, such as the VX120 nozzle that is included with the Bosch VH-Series hoses.

To connect them to a 1-1/4 in. or 1-1/2 hose, the Bosch VAC002 or VAC024 vacuum hose adapters (both sold separately) can be used.

To connect them to a 2-1/2 in. hose, the Bosch VAC020 (sold separately) can be used.

## Operating Instructions

### ► PR006 Underscribe Attachment

(Available as optional accessory)

The PR006 Underscribe Attachment is used to create precision-fit seams between two sheets of laminate (Fig. 28), such as stile and rail constructions and very large surfaces. It is attached to the bottom of the PR111 Plunge Base.

### ▼ INSTALLATION (FIG. 29)

1. Remove rear screws used to hold subbase onto PR111 Plunge Base.
2. Attach infeed side of PR006 to the Plunge Base using hex screw.
3. Insert eccentric adjuster into pocket on outfeed side of PR006.
4. Attach outfeed side of PR006 to the Plunge Base using hex screw.

### ▼ BIT INSTALLATION

- The recommend bit for use with the Underscribe Attachment is the Bosch 85213M with 1/8" cutting diameter.
- It should be installed according to the instructions on page 9.

### ▼ BIT HEIGHT ADJUSTMENT

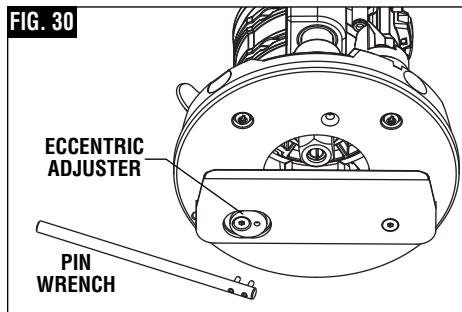
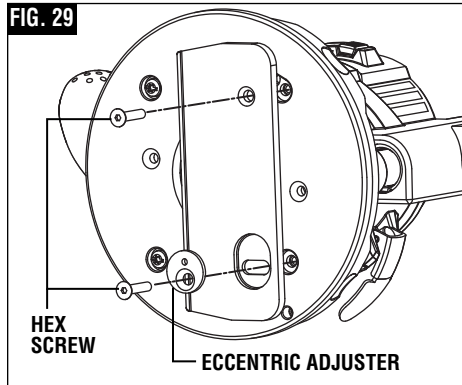
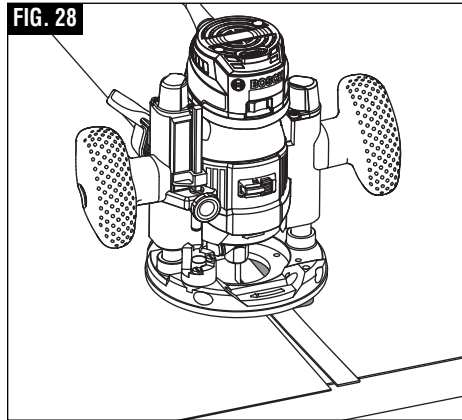
After installing the bit, the height should be adjusted as follows:

1. Lower bit until it just enters the recess that is machined in the underscribe attachment's aluminum plate.
2. The tool is now ready for making a test cut.

### ▼ FRONT-TO-BACK ADJUSTMENT

If necessary, the cutting point can be adjusted front-to-back as follows (Fig. 30):

1. Loosen the two screws holding the aluminum plate.
2. Using the pin wrench, adjust the eccentric adjuster as follows:
  - For a tighter seam, turn the eccentric adjuster clockwise (as viewed from under the base)



- For a looser seam, turn the eccentric adjuster counter-clockwise, (as viewed from under the base)
3. Retighten the screws
  4. Make a test cut
  5. Repeat steps 1-4 as necessary

## Operating Instructions

### ▼ CREATING A SEAM

1. To create a precision seam, make sure the guiding piece of laminate has a clean, straight edge, because it will serve as the guide for the underscribe attachment.
2. Contact cement should be applied to the substrate core material and the guiding piece of laminate up to 1" from its guiding edge.

## Maintenance

### ► Service

**⚠ WARNING** Preventive maintenance performed by unauthorized personnel may result in misplacing of internal wires and components which could cause serious hazard. We recommend that all tool service be performed by a Bosch Factory Service Center or Authorized Bosch Service Station.

### ▼ TOOL LUBRICATION

Your Bosch tool has been properly lubricated and is ready to use. It is recommended that tools with gears be regreased with a special gear lubricant at every brush change.

### ▼ CARBON BRUSHES

The brushes and commutator in your tool have been engineered for many hours of dependable service. To maintain peak efficiency of the motor, we recommend every two to six months the brushes be examined. Only genuine Bosch replacement brushes specially designed for your tool should be used.

### ▼ BEARINGS

Bearings which become noisy (due to heavy load or very abrasive material cutting) should be replaced at once to avoid overheating or motor failure.

### ► Cleaning

**⚠ WARNING** To avoid accidents always disconnect the tool from the power supply before cleaning or performing any maintenance. The tool may be cleaned most effectively with compressed dry air. **Always wear safety goggles when cleaning tools with compressed air.**

Ventilation openings and switch levers must be kept clean and free of foreign matter. Do not attempt to clean by inserting pointed objects through openings.

**⚠ CAUTION** Certain cleaning agents and solvents damage plastic parts. Some of these are: gasoline, carbon tetrachloride, chlorinated cleaning solvents, ammonia and household detergents that contain ammonia.

## Extension Cords

**⚠ WARNING** If an extension cord is necessary, a cord with adequate size conductors that is capable of carrying the current necessary for your tool must be used. This will prevent excessive voltage drop, loss of power or overheating. Grounded tools must use 3-wire extension cords that have 3-prong plugs and receptacles.

**NOTE:** The smaller the gauge number, the heavier the cord.

### RECOMMENDED SIZES OF EXTENSION CORDS 120 VOLT ALTERNATING CURRENT TOOLS

Tool's Ampere Rating	Cord Size in A.W.G.				Wire Sizes in mm <sup>2</sup>			
	Cord Length in Feet				Cord Length in Meters			
	25	50	100	150	15	30	60	120
<b>3-6</b>	18	16	16	14	0.75	0.75	1.5	2.5
<b>6-8</b>	18	16	14	12	0.75	1.0	2.5	4.0
<b>8-10</b>	18	16	14	12	0.75	1.0	2.5	4.0
<b>10-12</b>	16	16	14	12	1.0	2.5	4.0	-
<b>12-16</b>	14	12	-	-	-	-	-	-

## Accessories and Attachments

**⚠ WARNING** The use of other accessories and attachments not specified in this manual may create a hazard.

- PR101 Fixed Base\*\*
- PR102 Edge Guide\*\*
- PR110 Round Subbase for Threaded Template Guide
- PR111 Plunge Base†
- Router Bits
- Case\*\*
- 17 mm Collet Nut Wrench\*\*
- RA1151 Centering Device
- PR006 Underscribe Attachment for Plunge Base

- PR012 Dust Hood for Plunge Base
- RA1175 Edge-Forming Dust Hood for Plunge Base
- RA1054 Deluxe Router Guide for Plunge Base
- Vacuum Hoses
- Vacuum Hose Adapters





\* Included with GKF125CEN

† Included with GKF125CEK

\* Included with GKF125CEPK

## Symboles relatifs à la sécurité

Les définitions ci-dessous décrivent le niveau de gravité pour chaque terme signalant un danger. Veuillez lire le mode d'emploi et lire la signification de ces symboles.

	<p>C'est le symbole d'alerte relatif à la sécurité. Il est utilisé pour vous avertir de l'existence possible d'un danger de lésion corporelle. Obéissez à tous les messages relatifs à la sécurité qui suivent ce symbole pour éviter tout risque de blessure ou même de mort.</p>
	<p>DANGER indique une situation dangereuse qui, si elle n'est pas évitée, causera la mort d'une personne ou une blessure grave.</p>
	<p>AVERTISSEMENT indique une situation dangereuse qui, si elle n'est pas évitée, pourrait causer la mort d'une personne ou une blessure grave.</p>
	<p>MISE EN GARDE indique une situation dangereuse qui, si elle n'est pas évitée, causera une blessure légère ou modérée.</p>

## Avertissements généraux concernant la sécurité des outils électroportatifs

**AVERTISSEMENT** Veuillez lire tous les avertissements et toutes les consignes de sécurité. Si l'on n'observe pas ces avertissements et ces consignes de sécurité, il existe un risque de choc électrique, d'incendie et/ou de blessures corporelles graves.

### CONSERVEZ TOUS LES AVERTISSEMENTS ET TOUTES LES CONSIGNES DE SÉCURITÉ POUR RÉFÉRENCE FUTURE.

Dans les avertissements, le terme « outil électroportatif » se rapporte à votre outil branché sur le secteur (avec fil) ou à votre outil alimenté par piles (sans fil).

#### ► Sécurité du lieu de travail

**Maintenez le lieu de travail propre et bien éclairé.** Les risques d'accident sont plus élevés quand on travaille dans un endroit encombré ou sombre.

**N'utilisez pas d'outils électroportatifs dans des atmosphères explosives, comme par exemple en présence de gaz, de poussières ou de liquides inflammables.** Les outils électroportatifs produisent des étincelles qui risquent d'enflammer les poussières ou les vapeurs.

**Éloignez les enfants et les visiteurs quand vous vous servez d'un outil électroportatif.** Vous risquez une perte de contrôle si on vous distrait.

#### ► Sécurité électrique

Les fiches des outils électroportatifs

**doivent correspondre à la prise. Il ne faut absolument jamais modifier la fiche. N'utilisez pas d'adaptateur de prise avec des outils électroportatifs munis d'une fiche de terre.** Le risque de choc électrique est moindre si on utilise une fiche non modifiée sur une prise qui lui correspond.

**Évitez tout contact du corps avec des surfaces reliées à la terre tels que tuyaux, radiateurs, gazinières ou réfrigérateurs.** Le risque de choc électrique augmente si votre corps est relié à la terre.

**N'exposez pas les outils électroportatifs à la pluie ou à l'humidité.** Si de l'eau pénètre dans un outil électroportatif, le risque de choc électrique augmente.

**Ne maltraitez pas le cordon. Ne vous en servez jamais pour transporter l'outil électroportatif, pour le tirer ou pour le débrancher.** Éloignez le cordon de la

**chaleur, des huiles, des arêtes coupantes ou des pièces mobiles.** Les cordons abîmés ou emmêlés augmentent les risques de choc électrique.

**Si vous utilisez un outil électroportatif à l'extérieur, employez une rallonge conçue pour l'extérieur.** Ces rallonges sont faites pour l'extérieur et réduisent le risque de choc électrique.

**S'il est absolument nécessaire d'utiliser l'outil électroportatif dans un endroit humide, utilisez une alimentation protégée par un disjoncteur de fuite de terre (GFCI).** L'utilisation d'un disjoncteur GFCI réduit les risques de choc électrique.

### ► Sécurité personnelle

**Restez concentré, faites attention à ce que vous faites, et servez-vous de votre bon sens lorsque vous utilisez un outil électroportatif. N'employez pas d'outils électroportatifs quand vous êtes fatigué ou sous l'emprise de drogues, d'alcool ou de médicaments.** Quand on utilise des outils électroportatifs, il suffit d'un moment d'inattention pour causer des blessures corporelles graves.

**Utilisez des équipements de sécurité personnelle. Portez toujours une protection oculaire.** Le port d'équipements de sécurité tels que des masques antipoussières, des chaussures de sécurité antidérapantes, des casques de chantier et des protecteurs d'oreilles dans des conditions appropriées réduira le risque de blessure corporelle.

**Évitez les démarrages intempestifs. Assurez-vous que l'interrupteur est dans la position arrêt (Off) avant de brancher l'outil dans une prise de courant et/ou un bloc-piles, de le ramasser ou de le transporter.** Le transport d'un outil électroportatif avec le doigt sur la gâchette ou le branchement de cet outil quand l'interrupteur est en position de marche (ON) est une invite aux accidents.

**Enlevez toutes les clés de réglage avant de mettre l'outil électroportatif en marche.** Si on laisse une clé sur une pièce tournante de l'outil électroportatif, il y a risque de blessure corporelle.

**Ne vous penchez pas. Conservez toujours une bonne assise et un bon équilibre.** Ceci vous permettra de mieux maîtriser l'outil électroportatif dans des situations inattendues.

**Habillez-vous de manière appropriée. Ne portez pas de vêtements amples ou de bijoux. Attachez les cheveux longs. N'approchez pas les cheveux, les vêtements ou les gants des pièces en mouvement.** Les vêtements amples, les bijoux ou les cheveux longs risquent d'être happés par les pièces en mouvement.

**Si l'outil est muni de dispositifs permettant le raccordement d'un système d'aspiration et de collecte des poussières, assurez-vous que ces dispositifs sont raccordés et utilisés correctement.** L'utilisation d'un dépoussiéreur peut réduire les dangers associés à l'accumulation de poussière.

### ► Utilisation et entretien des outils électroportatifs

**Ne forcez pas sur l'outil électroportatif. Utilisez l'outil électroportatif qui convient à la tâche à effectuer.** L'outil qui convient à la tâche fait un meilleur travail et est plus sûr à la vitesse pour lequel il a été conçu.

**Ne vous servez pas de l'outil électroportatif si son interrupteur ne parvient pas à le mettre en marche ou à l'arrêter.** Tout outil électroportatif qui ne peut pas être commandé par son interrupteur est dangereux et doit être réparé.

**Débranchez la fiche de la prise ou enlevez le bloc-pile de l'outil électroportatif avant tout réglage, changement d'accessoires ou avant de ranger l'outil électroportatif.** De telles mesures de sécurité préventive réduisent le risque de démarrage intempestif de l'outil électroportatif.

**Rangez les outils électroportatifs dont vous ne vous servez pas hors de portée des enfants et ne permettez pas à des personnes qui ne connaissent pas l'outil électroportatif ou qui ignorent ces consignes de s'en servir.** Les outils électroportatifs sont dangereux dans les mains d'utilisateurs inexpérimentés.

**Entretenez les outils électroportatifs. Vérifiez que les pièces mobiles sont alignées correctement et ne coïncent pas. Vérifiez qu'il n'y a pas de pièces cassées ou d'autre circonstance qui risquent d'affecter le fonctionnement de l'outil électroportatif. Si l'outil est abîmé, faites-le réparer avant de l'utiliser.** De nombreux accidents sont causés par des outils électroportatifs mal entretenus.

**Maintenez les outils coupants affûtés et propres.** Les outils coupants entretenus correctement et dotés de bords tranchants affûtés sont moins susceptibles de coincer et sont plus faciles à maîtriser.

**Utilisez l'outil électroportatif, les accessoires et les embouts d'outil, etc. conformément à ces instructions, en tenant compte des conditions de travail et des travaux à réaliser.** L'emploi d'outils électroportatifs pour des tâches différentes de celles pour lesquelles ils ont

été prévus peut résulter en une situation dangereuse.

## ► Entretien

**Faites réparer votre outil électroportatif par un agent de service qualifié n'utilisant que des pièces de rechange identiques.** Ceci assure que la sécurité de l'outil électroportatif est préservée.

## Règles de sécurité concernant les toupies

**Tenez l'outil électroportatif par ses surfaces de préhension isolées parce que l'accessoire de coupe risque d'entrer en contact avec un fil caché.** Tout contact de l'accessoire de coupe avec un fil sous tension risque de mettre aussi sous tension les parties métalliques exposées de l'outil électroportatif, ce qui pourrait causer un choc électrique pour l'opérateur.

**Utilisez des brides ou d'autres moyens pratiques de brider ou de supporter la pièce sur une plate-forme stable.** Tenir la pièce à la main ou contre le corps la rend instable et risque de résulter en une perte de contrôle.

**Pour couper dans des murs existants ou autres endroits aveugles pouvant dissimuler des fils électriques, débranchez tous les fusibles ou les disjoncteurs alimentant ce lieu de travail.**

**Assurez-vous toujours que la surface de travail est exempte de clous et autres objets étrangers.** La coupe dans un clou peut faire sauter la lame et l'outil, et ainsi abîmer la lame.

**Ne tenez jamais le matériau d'une main et l'outil de l'autre lorsque vous en faites usage. Ne placez jamais les mains sous la surface de coupe ou à proximité de celle-ci.** Il est plus sûr de cramponner le matériau et de guider l'outil des deux mains.

**Ne posez jamais le matériau sur des surfaces dures telles que le béton, la pierre, etc. ...** La lame de coupe en saillie peut faire sauter l'outil.

**Portez toujours des lunettes de sécurité et un masque anti-poussières.** N'utilisez l'outil qu'à un endroit bien aéré.

L'utilisation de dispositifs de sécurité personnelle et le travail dans un environnement sûr réduisent les risques de blessures.

**Après avoir changé les lames ou effectué quelque réglage que ce soit, assurez-vous que l'écrou de la douille et tout autre dispositif de réglage sont bien serrés.** Un dispositif de réglage lâche peut bouger soudainement et causer ainsi une perte de contrôle avec projection violente des composants en rotation.

**Ne mettez jamais l'outil en marche alors que la lame est enfoncée dans le matériau.** Le tranchant de la lame peut se coincer dans le matériau et vous faire perdre le contrôle du couteau.

**Tenez toujours le couteau des deux mains durant la mise en marche.** Le couple de réaction du moteur peut faire tordre l'outil.

**Le sens d'introduction de la lame dans le matériau est très important, et il est lié au sens d'introduction de la lame. Lorsque vous regardez l'outil depuis le dessus, la lame tourne en sens horaire. Le sens d'introduction du couteau doit être anti-horaire.** REMARQUE : Les coupes intérieures et extérieures nécessiteront des sens de déplacement différents - référez-vous à la section consacrée au sens de déplacement de la toupie. Si l'outil est introduit dans le mauvais sens, le tranchant de la lame peut sortir du matériau et tirer l'outil dans le sens de cette introduction.

**N'utilisez jamais de lames émoussées ou abîmées. Les lames affilées doivent être maniées soigneusement.** Les mèches abîmées peuvent se rompre brusquement



durant l'usage. Les lames émoussées nécessitent plus de force pour pousser l'outil, causant éventuellement un bris de la lame.

**Ne touchez jamais la lame durant ou immédiatement après l'usage.** Après usage, la lame est trop chaude pour être touchée à main nue.

**Ne posez jamais l'outil avant que le moteur ne se soit arrêté complètement.**

La lame en rotation peut saisir la surface et vous faire perdre le contrôle de l'outil.

**Le diamètre du tranchant doit être d'au moins 1/4 po inférieur à celui de l'ouverture pour le fer et le tranchant.**

## Avertissements supplémentaires concernant la sécurité

**Utilisez uniquement des fers de toupie dont le diamètre de la tige correspond à celui de la douille installée.** L'utilisation d'un fer de toupie dont la tige est plus petite peut entraîner le détachement du fer pendant son fonctionnement, et il risquerait de devenir un projectile.

**N'utilisez jamais des fers de toupie à des vitesses supérieures à leur vitesse nominale maximale.** Des fers de toupie fonctionnant à une vitesse supérieure à leur vitesse nominale risqueraient de se casser et d'être projetés dans l'air.

L'emploi d'un GFCI et de dispositifs de protection personnelle tels que gants et chaussures d'électricien en caoutchouc améliorent votre sécurité personnelle.

**N'utilisez pas un outil conçu uniquement pour le C.A. sur une alimentation en C.C.** Même si l'outil semble fonctionner, les composants électriques d'un outil prévu pour le C.A. tomberont probablement en panne et risquent de créer un danger pour l'utilisateur.

**Maintenez les poignées sèches et exemptes d'huile et de graisse.** On ne pas maîtriser un outil électroportatif en toute sécurité quand on a les mains glissantes.

**Utilisez des brides ou d'autres moyens pratiques de brider ou de supporter la pièce sur une plate-forme stable.** Tenir la pièce à la main ou contre le corps est instable et risque de résulter en une perte de contrôle.

**Créez un agenda d'entretien périodique pour votre outil. Quand vous nettoyez un outil, faites attention de n'en démonter aucune pièce car il est toujours possible de mal remonter ou de pincer les fils**

**internes ou de remonter incorrectement les ressorts de rappel des capots de protection.** Certains agents de nettoyage tels que l'essence, le tétrachlorure de carbone, l'ammoniaque, etc. risquent d'abîmer les plastiques.

Risque de blessure pour l'utilisateur. Le cordon d'alimentation électrique ne doit être réparé que par un Centre de service usine de Bosch ou par une Station service agréée de Bosch.





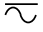


**⚠ AVERTISSEMENT** Les travaux à la machine tel que ponçage, sciage, meulage, perçage et autres travaux du bâtiment peuvent créer des poussières contenant des produits chimiques qui sont des causes reconnues de cancer, de malformation congénitale ou d'autres problèmes reproductifs. Ces produits chimiques sont, par exemple :

- Le plomb provenant des peintures à base de plomb,
- Les cristaux de silices provenant des briques et du ciment et d'autres produits de maçonnerie, et
- L'arsenic et le chrome provenant des bois traités chimiquement.

Le niveau de risque dû à cette exposition varie avec la fréquence de ces types de travaux. Pour réduire l'exposition à ces produits chimiques, il faut travailler dans un lieu bien ventilé et porter un équipement de sécurité approprié tel que certains masques à poussière conçus spécialement pour filtrer les particules microscopiques.

## Symboles

**Important :** Certains des symboles suivants peuvent être utilisés sur votre outil. Veuillez les étudier et apprendre leur signification. Une interprétation appropriée de ces symboles vous permettra d'utiliser l'outil de façon plus efficace et plus sûre.

Symbole	Désignation/ Explication
V	Volts (voltage)
A	Ampères (courant)
Hz	Hertz (fréquence, cycles par seconde)
W	Watt (puissance)
kg	Kilogrammes (poids)
min	Minutes (temps)
s	Seconds (temps)
∅	Diamètre (taille des mèches de perceuse, meules, etc.)
$n_0$	Vitesse à vide (vitesse de rotation, à vide)
n	Vitesse nominale (vitesse maximum pouvant être atteinte)
.../min	Tours ou mouvement alternatif par minute (tours, coups, vitesse en surface, orbites, etc., par minute)
0	Position d'arrêt (vitesse zéro, couple zéro ...)
1, 2, 3, ... I, II, III,	Réglages du sélecteur (Réglages de vitesse, de couple ou de position. Un nombre plus élevé signifie une vitesse plus grande)
	Sélecteur variable à l'infini avec arrêt (La vitesse augmente depuis le réglage 0)
	Flèche (action dans la direction de la flèche)
	Courant alternatif (type ou caractéristique du courant)
	Courant continu (type ou caractéristique du courant)
	Courant alternatif ou continu (type ou caractéristique du courant)
	Construction classe II (désigne des outils construits avec double isolation)
	Borne de terre (borne de mise à la terre)

## Symboles (suite)

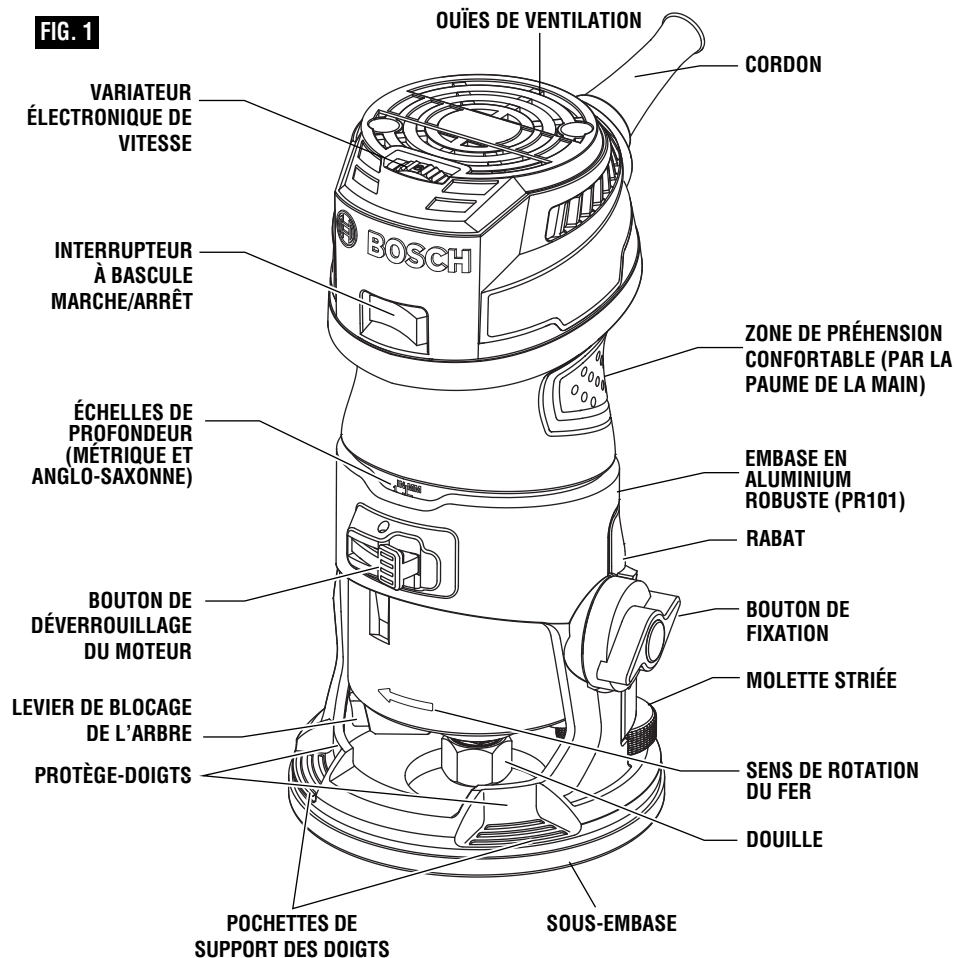
**Important :** Certains des symboles suivants peuvent être utilisés sur votre outil. Veuillez les étudier et apprendre leur signification. Une interprétation appropriée de ces symboles vous permettra d'utiliser l'outil de façon plus efficace et plus sûre.

Symbole	Désignation / Explication
	Désigne le programme de recyclage des piles Li-ion.
	Désigne le programme de recyclage des piles Ni-Cad.
	Alerte l'utilisateur pour lire le mode d'emploi
	Alerte l'utilisateur pour porter des lunettes de sécurité
	Ce symbole signifie que cet outil est approuvé par Underwriters Laboratories.
	Ce symbole indique que ce composant est reconnu par Underwriters Laboratories.
	Ce symbole signifie que cet outil est approuvé par Underwriters Laboratories selon les normes des États-Unis et du Canada.
	Ce symbole signifie que cet outil est approuvé par l'Association canadienne de normalisation.
	Ce symbole signifie que cet outil est approuvé par l'Association canadienne de normalisation selon les normes des États-Unis et du Canada.
	Ce symbole signifie que cet outil est approuvé par Intertek Testing Services selon les normes des États-Unis et du Canada
	Ce symbole signifie que cet outil se conforme aux normes mexicaines NOM.

## Description fonctionnelle et spécifications

**AVERTISSEMENT** Débranchez la fiche de la prise de courant avant d'effectuer quelque assemblage ou réglage que ce soit ou de changer les accessoires. Ces mesures de sécurité préventive réduisent le risque d'une mise en marche accidentelle de l'outil.

### Toupie à main avec base fixe



#### Numéro de modèle

Capacités de la douille  
Max. Cutter Diameter

#### GKF125CE

queue de 1/4 po

\* \* \*

\* Le diamètre du tranchant doit être d'au moins 1/4 po inférieur à celui de l'ouverture pour le fer et le tranchant.

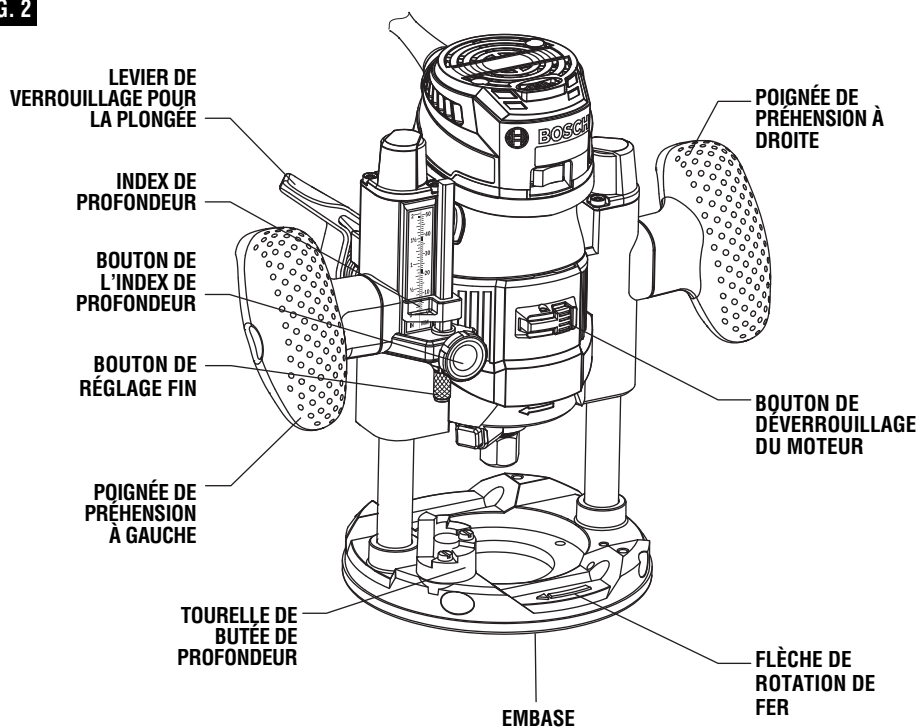
**REMARQUE :** Pour spécifications de l'outil, reportez-vous à la plaque signalétique de votre outil.

## Description fonctionnelle et spécifications

**AVERTISSEMENT** Débranchez la fiche de la prise de courant avant d'effectuer quelque assemblage ou réglage que ce soit ou de changer les accessoires. Ces mesures de sécurité préventive réduisent le risque d'une mise en marche accidentelle de l'outil.

### Configuration des toupies à main pour coupe en plongée

FIG. 2



## Assemblage

### ► Choix des fers

Votre toupie Bosch à système de préhension par la paume a été conçue pour une grande variété d'opérations de toupillage au cours desquelles des fers à tige de 1/4 po sont utilisés. Ces opérations comprennent le formage avec croquage des bords, le rainurage et la fabrication de panneaux. Cette toupie est également idéale pour l'ébarbage des stratifiés, des phénoliques et des autres matériaux qui ont été collés à un support et dépassent de ce dernier d'environ 1/8 po (3 mm) en moyenne.

Un grand choix de fers avec profils variés est disponible en accessoire. Utilisez que des fers de bonne qualité.

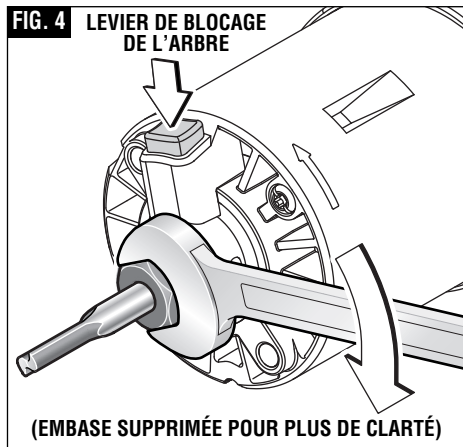
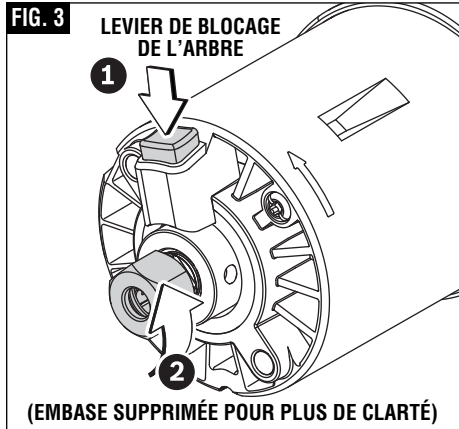
**⚠ AVERTISSEMENT** Utilisez uniquement des fers de toupie dont le diamètre de la tige correspond à celui de la douille installée. L'utilisation d'un fer de toupie dont la tige est plus petite peut entraîner le détachement du fer pendant son fonctionnement, et il risquerait de devenir un projectile.

**⚠ AVERTISSEMENT** N'utilisez jamais des fers de toupie à des vitesses supérieures à leur vitesse nominale maximale. Des fers de toupie fonctionnant à une vitesse supérieure à leur vitesse nominale risqueraient de se casser et d'être projetés dans l'air.

**⚠ AVERTISSEMENT** Pour éviter toute blessure corporelle, il faut toujours débrancher la prise avant d'enlever ou de monter un fer ou des accessoires.

### ► Montage des fers

1. Déposez la toupie ou le moteur sur son côté. Il est également possible de renverser la toupie et de la faire reposer sur sa tête afin de pouvoir changer le fer.
2. Appuyez sur le levier de blocage de l'arbre pour empêcher la douille de



tourner. **REMARQUE** : Il se peut qu'il faille faire tourner la douille pour enclencher le blocage de l'arbre (Fig. 3).

3. Ensuite, à l'aide de la clé de douille, desserrez l'ensemble de douille en tournant en sens anti-horaire (vu du dessous de la toupie).
4. Enfoncez la queue du fer à fond dans l'ensemble de douille et ensuite ressortez le fer jusqu'à ce que ses tranchants soient à peu près entre 1/8 po et 1/4 po de la face de l'écrou de douille.
5. Une fois le fer en place et le blocage de l'arbre enclenché, serrez fermement l'ensemble de douille en sens horaire (vu du

## Assemblage

dessous de la toupie) à l'aide de la clé de douille (Fig. 4).

Pour assurer le pincement correct du fer et pour minimiser son battement, sa queue doit être enfoncée d'au moins 5/8 po.

**⚠ AVERTISSEMENT** Le diamètre du tranchant doit être d'au moins 1/4 po inférieur à celui de l'ouverture pour le fer et le tranchant.

**⚠ MISE EN GARDE** Pour éviter d'abîmer la machine, il ne faut pas serrer la douille à vide.

**REMARQUE :** Avant de monter le fer, vérifiez que sa queue ainsi que la douille sont propres. Ils doivent être exempts de poussière, bois, débris et graisse.

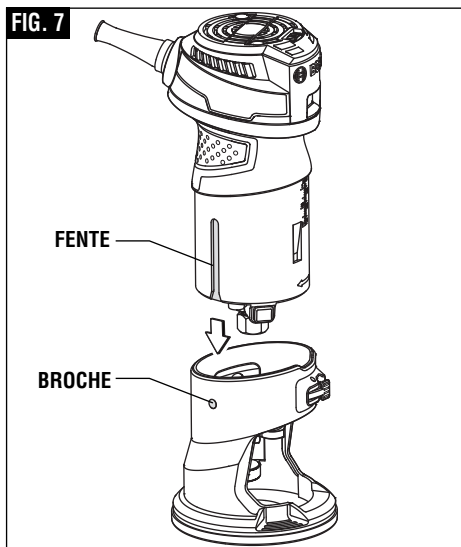
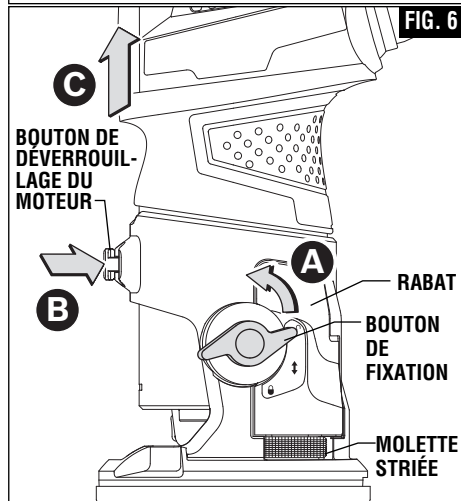
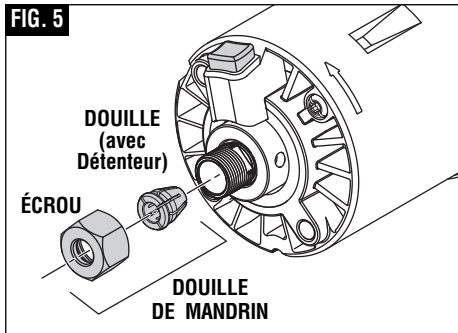
### ► Pour enlever un fer de toupie

1. Appuyez sur le blocage de l'arbre pour empêcher la douille de tourner et faites tourner l'ensemble de douille en sens anti-horaire.
2. Une fois que l'ensemble de douille est desserré, continuez de le tourner jusqu'à ce que la douille soit libérée de son cône. Vous pouvez alors retirer le fer.

**REMARQUE :** La douille est à éjection automatique : il N'est PAS nécessaire de la frapper pour libérer le fer.

### ► Entretien de la douille

Avec le fer enlevé, continuez de faire tourner la douille en sens anti-horaire jusqu'à ce qu'elle sorte complètement de l'arbre. Pour assurer un pincement ferme, soufflez de temps à temps la douille à l'air comprimé et nettoyez le cône situé sur l'arbre de l'ensemble du rotor avec une serviette en papier ou une brosse fine. La douille est faite de deux pièces qui s'enclenchent l'une dans l'autre (Fig. 5). Vérifiez que la pince est correctement assujettie dans l'écrou de douille et resserrez légèrement la douille sur l'arbre du rotor. Remplacez immédiatement la douille si elle est usée ou abîmée.



## Assemblage

### ► Retrait du moteur de sa base fixe PR101

1. Tourner le bouton de fixation pour le mettre dans sa position déverrouillée (A, Fig. 6).
2. Tirez sur le moteur en l'éloignant de sa base jusqu'à ce qu'il cesse de bouger. (N'appuyez pas sur le rabat dans la base pendant que vous tirez sur le moteur.) (C, Fig. 6).
3. Appuyez sur le bouton de déverrouillage du moteur et maintenez-le enfoncé. (B, Fig. 6).
4. Tirez sur le moteur pour le détacher de la base (C, Fig. 6).

### ► Installation du moteur dans sa base fixe PR101

1. Ouvrez le bouton de fixation pour le mettre dans sa position déverrouillée (A, Fig. 6).
2. Alignez la fente du moteur sur la broche de la base (Fig. 7)

**⚠ AVERTISSEMENT** Pour ne pas risquer de vous pincer, tenez toutes les parties de vos mains à bonne distance du bord supérieur de la base et de la section en métal du moteur pendant que vous enfoncez le moteur dans la base.

3. Poussez le moteur dans la base jusqu'à ce que vous ayez atteint la position approximative désirée. N'appuyez pas sur le rabat dans la base pendant que vous installez le moteur.
4. Tournez le bouton de fixation pour le mettre dans sa position verrouillée, vers le bas (E, Fig. 9). Assurez-vous toujours que le moteur repose sans le moindre jeu dans la base.

### ► Vérification de l'emplacement de la sous-embase

**⚠ AVERTISSEMENT** Le diamètre du tranchant doit être d'au moins 1/4 po inférieur

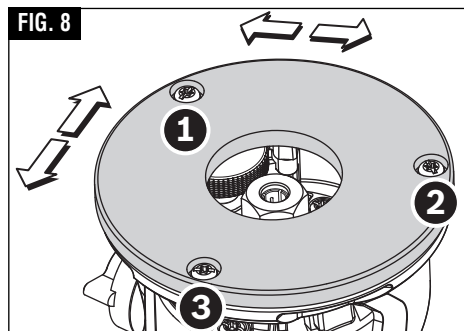
### à celui de l'ouverture pour le fer et le tranchant.

Assurez-vous que le fer de la toupie et son couteau sont centrés dans l'ouverture de la sous-embase. Si nécessaire, ajustez l'emplacement de la sous-embase de la façon suivante :

1. Desserrez les trois vis qui tiennent la sous-embase en place.
2. Ajustez l'emplacement de la sous-embase suivant les besoins de façon à ce que le fer et son couteau soient centrés dans l'ouverture de la sous-embase. Le dispositif de centrage RA1151 en option rend ce centrage très facile.
3. Serrez les trois vis qui tiennent la sous-embase en place (Fig. 8).

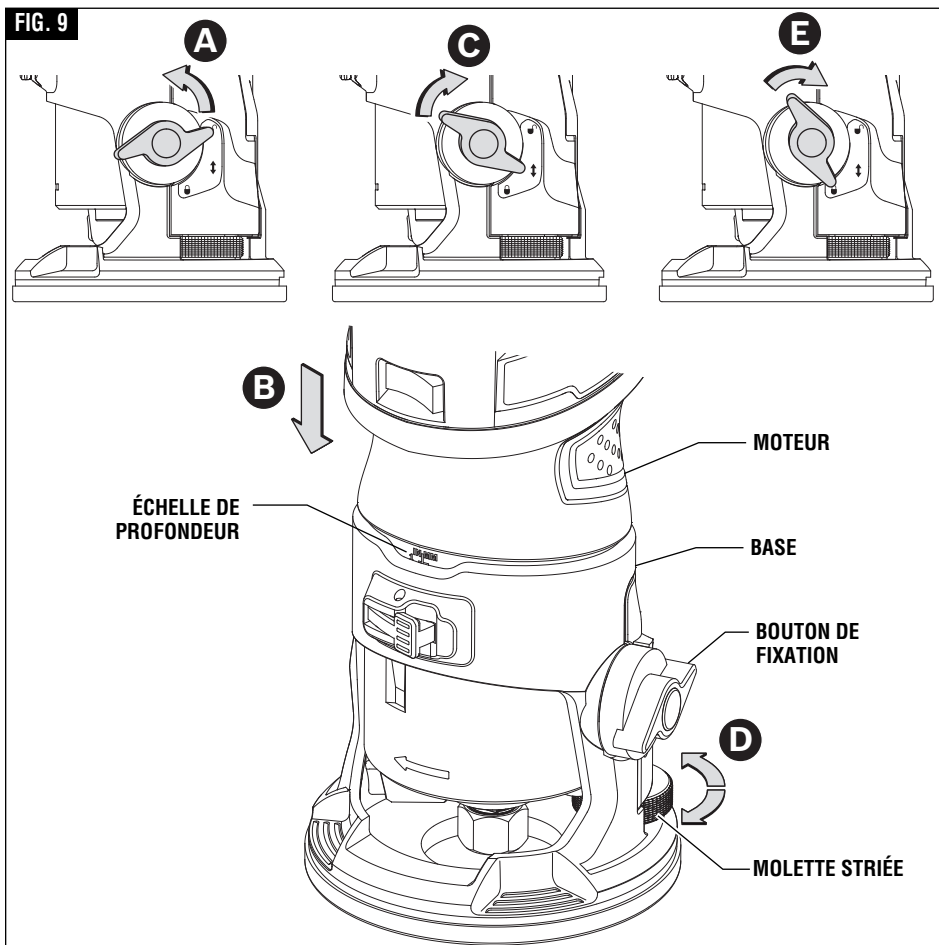
Lorsque l'embase a été centrée de cette manière, n'importe quelle partie de l'embase peut être utilisée comme surface de guidage sans devoir s'inquiéter d'une différence éventuelle dans la ligne de coupe. Voir « Guidage de la toupie » à la page 13.

**Remarque :** cette sous-embase n'est pas conçue pour emploi avec des guides de gabarit. L'élément de fixation amovible en option PR110 permet l'utilisation de guides de gabarit avec cette toupie à main.





## Consignes de fonctionnement



**⚠ AVERTISSEMENT** Débranchez la fiche de la prise de courant avant d'effectuer quelque assemblage ou réglage que ce soit ou de changer les accessoires. Ces mesures de sécurité préventive réduisent le risque d'une mise en marche accidentelle de l'outil.

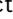
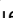
Les toupies Bosch sont conçues pour faire aisément du travail rapide et précis en ébénisterie, toupillage, moulurage de cannelures, baguettes, anses, usinage de queues d'arondes, etc. Elles vous permettent de faire de la marqueterie, des bordures décoratives et de nombreux types de sculptures spéciales.

### ► Réglage de la profondeur de coupe

Ajustez la profondeur de coupe uniquement quand le moteur est arrêté.

1. Installez le fer de toupie qui vous convient.
2. Placez la toupie sur l'ouvrage.
3. Tournez le bouton de fixation pour le mettre dans sa position déverrouillée, vers le haut **⬆** (A, Fig. 9).
4. Abaissez lentement le moteur jusqu'à ce que le fer de la toupie entre en contact avec l'ouvrage (B, Fig. 9).

## Consignes de fonctionnement


5. Notez la valeur affichée sur l'échelle (au-dessus du bouton de déverrouillage du moteur) et ajoutez la profondeur de coupe désirée à cette valeur pour déterminer la valeur d'échelle ciblée.
6. Abaissez le moteur jusqu'à ce que la valeur d'échelle ciblée soit atteinte.
7. Tournez le bouton de fixation jusqu'au symbole de position intermédiaire  pour effectuer des réglages précis (C, Fig. 9). Assurez-vous toujours que le moteur repose sans le moindre jeu dans la base.
8. Vérifiez la profondeur de coupe et effectuez un réglage précis si nécessaire (D, Fig. 9). Voir la section RÉGLAGE PRÉCIS DE LA PROFONDEUR ci-dessous pour tous détails.
9. Tournez le bouton de fixation pour le mettre dans sa position verrouillée, vers le bas  (E, Fig. 9). Assurez-vous toujours que le moteur repose sans le moindre jeu dans la base.

**Nota :** la profondeur du moteur et du fer peuvent changer très légèrement lorsque le bouton de fixation est tourné dans la position verrouillée.


10. Faites une coupe d'essai de façon à vérifier que la toupie est bien en place pour effectuer la coupe souhaitée.

### ▼ RÉGLAGE DE PRÉCISION DE LA PROFONDEUR

Ajustez la profondeur de coupe uniquement quand le moteur est arrêté.

1. Tournez le bouton de fixation jusqu'au symbole de position intermédiaire  pour effectuer des réglages précis (C, Fig. 9).
2. Ajustez la profondeur de coupe désirée au moyen de la molette striée à l'arrière de la base (D, Fig. 9). Tournez la molette striée dans le sens des aiguilles d'une montre pour accroître la profondeur de toupillage, ou dans le sens contraire des aiguilles d'une montre pour diminuer

la profondeur de coupe. Chaque rotation complète du cadran est égale à 1,25 mm (environ 3/64 po).

3. Tournez le bouton de fixation pour le mettre dans sa position verrouillée, vers le bas  (E, Fig. 9). Assurez-vous toujours que le moteur repose sans le moindre jeu dans la base.
4. Vérifiez la profondeur de coupe et effectuez un réglage précis additionnel si nécessaire.

**Nota :** la profondeur du moteur et du fer peuvent changer très légèrement lorsque le bouton de fixation est tourné dans la position verrouillée.

5. Réalisez une coupe d'essai pour vous assurer que la toupie est réglée pour exécuter la coupe comme vous le souhaitez.

### ▼ COUPES PROFONDES

Pour la réalisation de coupes profondes, procédez en effectuant une série de coupes de plus en plus profondes. Commencez avec une certaine profondeur, puis faites une série de passes en augmentant la profondeur de coupe à chaque passe.

Pour être certain que vos réglages de profondeur de coupe sont comme il faut, il est conseillé de faire des coupes d'essai dans des déchets de découpe avant de commencer votre travail.

### ► Interrupteur à bascule marche/arrêt

Votre outil peut être mis en marche ou à l'arrêt à l'aide de l'interrupteur à bascule situé sur le carter du moteur. Un côté de l'interrupteur est marqué « I » pour « ON », et l'autre côté est marqué « O » pour « OFF ».

**POUR METTRE L'OUTIL EN MARCHÉ :** Poussez le côté de l'interrupteur marqué « I ».

**POUR METTRE L'OUTIL À L'ARRÊT :** Poussez le côté de l'interrupteur marqué « O ».

### ▼ FONCTION DE DEMARRAGE EN DOUCEUR

Une commande en circuit fermé électronique minimise le couple de rotation caractéristique des toupies

## Consignes de fonctionnement

en limitant la vitesse à laquelle le moteur se met en marche.

### ▼ VARIATEUR ELECTRONIQUE DE VITESSE

La variateur électronique de vitesse permet de régler le régime du moteur en fonction de la taille du couteau et la dureté du matériau pour améliorer la qualité de la finition, prolonger la durée du fer et assurer un meilleur rendement. On change la vitesse en tournant le cadran à DROITE pour l'augmenter, à GAUCHE pour la diminuer, comme il est indiqué sur le carter (fig. 1). De même, on peut changer la vitesse pendant que l'outil est en marche. Les repères du cadran facilitent le réglage à la vitesse désirée. Le tableau ci-dessous montre les réglages recommandés par rapport à diverses applications. Toutefois, la qualité des réglages relève de l'expérience et de la compétence de l'utilisateur.

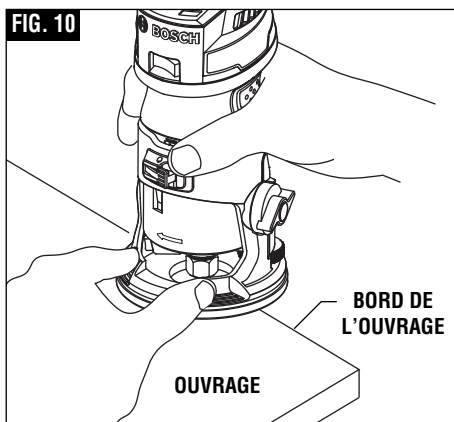
Le tableau des vitesses indique le rapport entre la vitesse et le travail à effectuer. La vitesse exacte est à déterminer suivant l'expérience et la préférence de l'utilisateur ou selon les recommandations du fabricant du fer.

**⚠ AVERTISSEMENT** **N'utilisez jamais des fers de toupie à des vitesses supérieures à leur vitesse nominale maximale.** Des fers de toupie fonctionnant à une vitesse supérieure à leur vitesse nominale risqueraient de se casser et d'être projetés dans l'air.

POSITION DU CADRAN	TR/MIN	APPLICATION
1	16000	Métaux non-ferreux, fers et couteaux de grands diamètres
2	18000	
3	20000	
4	22500	Bois tendres, plastiques, stratifiés, fers et fraises de petits diamètres
5	27500	
6	35000	

### ▼ CIRCUIT CONSTANT RESPONSE™

Le circuit Constant Response™ de la toupie contrôle la puissance et la règle pour maintenir la vitesse désirée



afin de régulariser la performance de la machine et de rendre celle-ci plus facile à maîtriser.

### ► Avance de la toupie

En plus de la zone de préhension principale (par la paume de la main) située à l'arrière du carter du moteur et de l'embase, il existe des pochettes de support des doigts (une fonction exclusive de Bosch) situées sur l'embase afin d'assurer une stabilisation maximale de la toupie. Les pochettes sont séparées de la zone de mouvement du fer par des protégés-doigts (Fig. 10).

**⚠ AVERTISSEMENT** Lorsque vous utilisez les pochettes de support des doigts, placez toujours les deux pochettes au-dessus de l'ouvrage et tenez toujours la toupie d'une façon qui vous permette de voir à la fois votre index et votre pouce.

Comme on peut le voir depuis le dessus de la toupie, le fer tourne dans le sens horaire et ses bords tranchants sont positionnés pour produire la meilleure coupe possible dans l'ouvrage. Ainsi, l'usinage est plus efficace s'il se fait en poussant à l'opposé du sens de rotation du bord tranchant du fer plutôt que dans le même sens. La Figure 11 illustre le sens correct de l'avance pour divers types de toupillage. La vitesse d'avance dépend de la dureté du matériau et de la profondeur de la coupe. Dans

## Consignes de fonctionnement

certains matériaux, il est préférable de faire plusieurs passes en augmentant la profondeur à chaque fois.

Si la toupie est difficile à maîtriser, chauffe, tourne très lentement ou coupe mal, envisagez les causes suivantes :

1. Mauvais sens d'avance – Difficile à maîtriser.
2. Avance trop rapide – Moteur surchargé
3. Fer émoussé – Moteur surchargé
4. Coupe trop profonde pour faire en une seule passe – Moteur surchargé
5. Avance trop lente – Laisse des brûlures dues au frottement du fer sur la pièce.

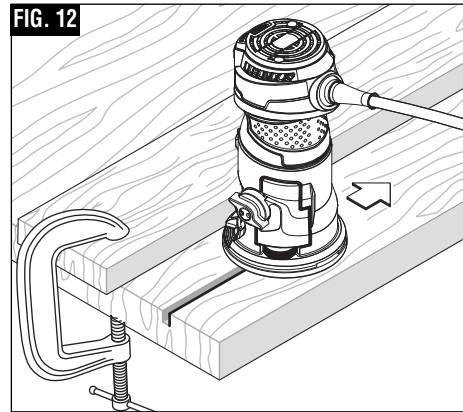
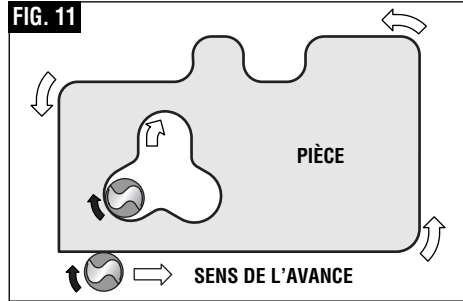
Faites avancer la machine régulièrement et sans hésitation (ne forcez pas). Vous apprendrez rapidement à reconnaître le fonctionnement optimum de la toupie au son qu'elle produit et à son comportement.

Tenez toujours la toupie hors de l'ouvrage en mettant l'interrupteur en marche ou à l'arrêt. Mettez la toupie en contact avec l'ouvrage après que la toupie ait atteint son régime maximal, et retirez-la de l'ouvrage avant de mettre l'interrupteur à l'arrêt. Le fonctionnement de cette manière prolongera la durée de l'interrupteur et du moteur, et augmentera grandement la qualité de votre travail.

### ▼ VITESSE D'AVANCE

Lors du toupillage ou de travaux similaires dans le bois et le plastique, la meilleure finition s'obtient en réglant la passe et la vitesse d'avance de manière à laisser le moteur tourner à haute vitesse. Faites avancer la toupie à une vitesse modérée. Les matériaux tendres nécessitent une vitesse d'avance plus élevée que les matériaux durs.

Il se peut que la toupie cale si elle est utilisée incorrectement ou si elle est surchargée. Réduisez la vitesse d'avance pour éviter d'abîmer votre machine. Assurez-vous toujours que la douille est serrée fermement avant d'utiliser la machine. Utilisez toujours



les fers les plus courts possibles qui produisent la coupe désirée afin de minimiser le battement et les vibrations du fer.

Il peut être nécessaire de réaliser la coupe en plus d'une passe avec des réglages de plus en plus profonds pour éviter de surcharger le moteur. Si le fer coupe librement et le moteur ne ralentit pas, ceci signifie que la profondeur de coupe est généralement correcte.

### ▼ GUIDAGE DE LA TOUPIE

La toupie peut être guidée dans la pièce de plusieurs manières. La méthode que vous utiliserez dépendra bien entendu de la tâche à effectuer et de ce qui semble le plus pratique.

Pour les opérations de toupillage telles que le rainurage en long ou en travers, il est souvent nécessaire de guider la machine parallèlement à un bord droit. Par exemple, on peut effectuer un toupillage droit en bridant fermement une planche ou une règle sur la pièce et en guidant le

## Consignes de fonctionnement

bord de la sous-embase de la toupie le long de ce guide. (Fig. 12)

### ► Guide de chant PR102

Le guide de chant est un accessoire en option qui guidera la toupie parallèlement à un bord droit (Fig. 14).

Le guide de chant est fourni en deux parties assujetties l'une à l'autre par un boulon, un écrou à oreilles et une rondelle.

### ▼ ATTACHEMENT DU GUIDE DE CHANT

1. Retirez l'embase en dévissant les trois vis.
2. Positionnez l'adaptateur dans l'écart de la base.
3. Attachez l'adaptateur au moyen des deux vis à pointe cruciforme (Fig. 13).

4. Rattachez l'embase.

REMARQUE : Voir la section intitulée « Vérification » pour déterminer comment centrer l'embase.

5. Attachez le guide de chant à l'adaptateur en utilisant la molette striée ainsi que deux rondelles (Fig. 14).

Le guide comporte une échelle permettant de positionner le guide de chant de façon précise par rapport au fer. Une fois le guide installé et ajusté, vous pouvez faire avancer le fer normalement, en gardant toujours le guide en contact avec le bord de l'ouvrage.

Le guide de chant peut également être positionné directement en dessous de la base de la toupie pour les opérations dans lesquelles une coupe est nécessaire sur le bord de l'ouvrage, ou près de celui-ci, comme pour égaliser les extrémités de planches d'une terrasse.

### ▼ USAGE DE FERS AUTOGUIDES

Les fers autoguidés sont pourvus d'une pointe arrondie ou d'un roulement à billes qui roule sur la surface du matériau, au-dessus ou au-dessous des tranchants, pour contrôler la

FIG. 13

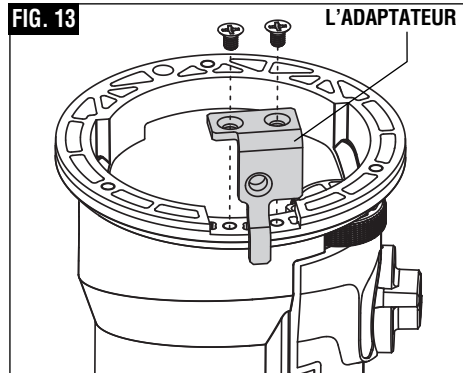


FIG. 14

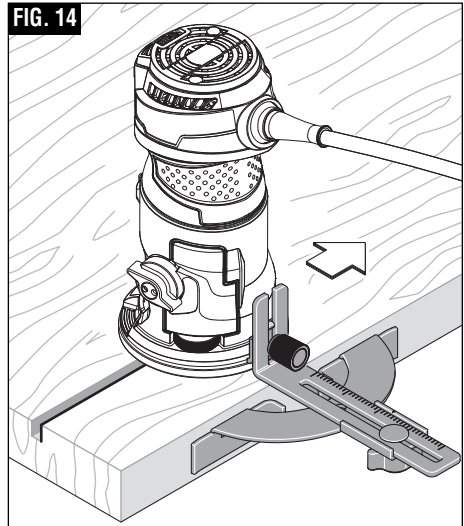
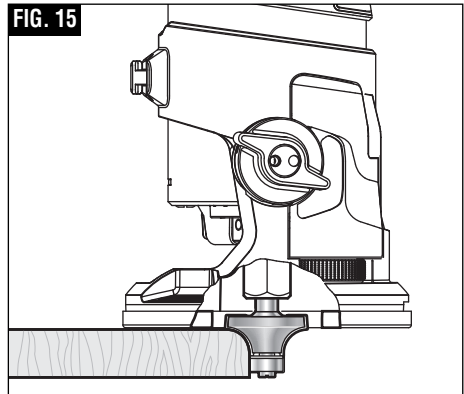


FIG. 15



profondeur de coupe horizontale (Fig 15). Lorsque ces fers sont utilisés, il n'est pas nécessaire d'utiliser le guide

## Consignes de fonctionnement

coulissant ou le guide droit. Dans le cas d'une surface stratifiée, utilisez de la cire ou autre lubrifiant et n'appliquez jamais trop de force, sinon l'extrémité guidée peut laisser des traces sur le matériau. Il est impératif de maintenir les guides à roulement propres, sans adhésif ni autres résidus. Les roulements des fers de toupie sont scellés et lubrifiés en permanence; pour éviter d'endommager la surface du matériau, ils devraient être remplacés quand ils ne tournent plus rondement.

### ► Embase ronde PR110 et utilisation des bagues du guide de gabarit avec la base fixe PR101

(disponibles comme accessoires en option)

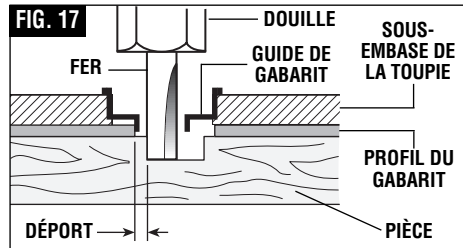
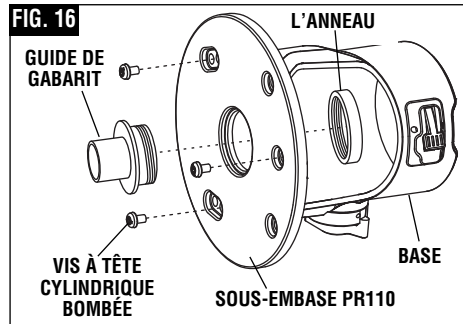
De grandes sous-embases rondes sont disponibles séparément ; elles permettent l'utilisation de diverses rondelles guides avec les toupies à système de préhension par la paume.

Les bagues du guide de gabarit sont utilisées pour guider la toupie afin de réaliser des ouvertures et des incrustations uniformes au moyen de divers gabarits (également appelées gabarits et montages). Les gabarits pour les applications de toupillage standard sont en vente dans le commerce, et les gabarits pour les applications spéciales sont généralement fabriqués par les utilisateurs eux-mêmes en fonction de leurs besoins spécifiques.

La sous-embase ronde PR110 est compatible avec les adaptateurs de guides de gabarits filetés.

### ▼ FIXATION DU GUIDE DE GABARIT ET DE LA SOUS-EMBASE RONDE PR110 (FIG. 16)

1. Retirez la sous-embase standard.
2. Fixez, mais sans serrer pour l'instant, la sous-embase ronde à l'aide des vis à tête cylindrique bombée qui sont fournies avec cet accessoire.
3. Attachez le guide de gabarit fileté en l'introduisant au travers de la



partie inférieure et en fixant l'anneau depuis la partie supérieure.

4. Centrez le guide de gabarit autour du fer. Vous pouvez utiliser le dispositif de centrage RA1151 Bosch vendu en option pour assurer que le guide de gabarit est correctement centré.
5. Serrez les vis à tête cylindrique bombée afin de tenir le guide de gabarit et la sous-embase en position.

### ▼ CREATION DE GABARITS

Des modèles peuvent être créés à partir de contreplaqué, de panneaux comprimés, de métal ou même de plastique. La forme peut être coupée à l'aide d'une toupie, d'une scie sauteuse ou d'un autre outil de coupe acceptable. Souvenez-vous que la fabrication du modèle devra tenir compte de la distance entre le fer de la toupie et le guide de gabarit (« excentré »), car, du fait de la position du fer, la différence de taille entre l'ouvrage final et celle du gabarit correspondra à cette distance (Fig. 17).

## Consignes de fonctionnement

### ► Base pour coupe en plongée PR111

(Incluse avec GKF125CEPK et vendue séparément)

#### Installation du moteur dans la base de coupe en plongée :

1. Déverrouillez le levier de fixation de la base (Fig. 18).
2. Enfoncez le moteur à l'intérieur de la base aussi profondément que possible.
3. Serrez le levier de fixation de la base.  
Si une force de serrage supplémentaire s'avère nécessaire, faites tourner LÉGÈREMENT (1/8 de tour ou moins) l'écrou de serrage dans le sens des aiguilles d'une montre à l'aide d'une clé de 8 mm, puis testez le serrage. Ne serrez pas de façon excessive.

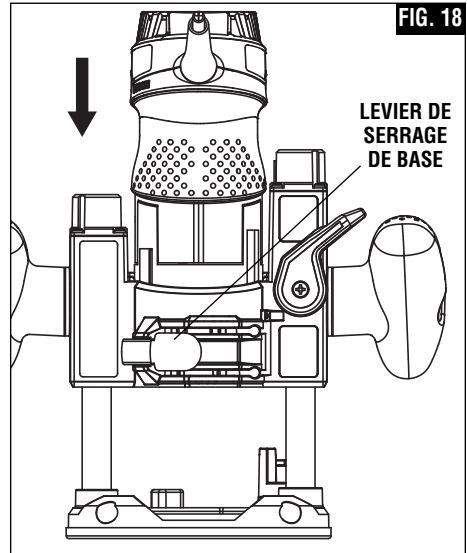
#### Pour retirer le moteur de la base de coupe en plongée :

1. Déverrouillez le levier de fixation de la base.
2. Appuyez sur le bouton de déverrouillage du moteur et maintenez-le enfoncé.
3. Tirez le moteur vers le haut de façon à le faire sortir de la base.

### ▼ RÉGLAGES DE PROFONDEUR

Le mouvement de plongée simplifie les réglages de profondeur et permet au fer de pénétrer facilement et précisément dans la pièce.

1. Pour abaisser la machine, poussez le levier de verrouillage de profondeur vers la gauche, appuyez vers le bas jusqu'à ce que la profondeur désirée soit atteinte, et relâchez le levier pour verrouiller la machine (Fig. 19).
2. Le levier de verrouillage de profondeur est rappelé par ressort et retourne automatiquement à la position de verrouillage. Pour relever la machine, poussez le levier de verrouillage vers la gauche, relâchez la pression sur la défonceuse et celle-ci soulèvera automatiquement le fer de la pièce. Il est conseillé de toujours remonter le fer quand il n'est pas

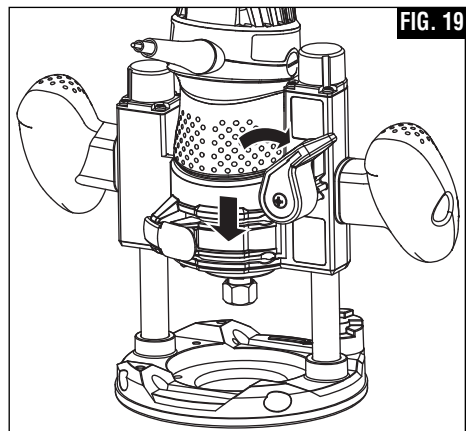


en train d'usiner la pièce.

### ▼ TIGE ET TOURELLE DE PROFONDEUR

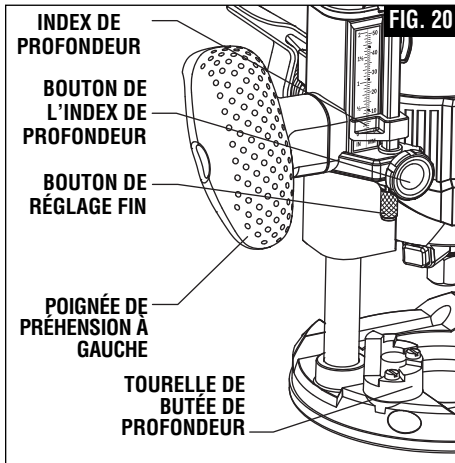
La tige de profondeur et la tourelle de butée de profondeur sont utilisées pour régler la profondeur de coupe comme suit :

1. Avec le fer monté, abaissez doucement le moteur jusqu'à ce que le bout du fer affleure juste la surface plane sur laquelle repose la défonceuse. Ceci constitue la position zéro à partir de laquelle on peut effectuer des réglages précis de profondeur.





## Consignes de fonctionnement



2. Faites pivoter la tourelle de profondeur jusqu'à ce que sa butée la plus basse soit en face de la tige de profondeur. Desserrez le bouton de l'index de profondeur et abaissez la tige de profondeur jusqu'à ce qu'elle touche la butée la plus basse sur la tourelle. Faites coulisser l'index de profondeur jusqu'à ce que le trait rouge marque zéro sur l'échelle de profondeur, ce qui indique le point où le fer affleure juste la surface de travail (Fig. 20).
3. Faites coulisser la tige de profondeur jusqu'à ce que le trait de l'index indique la profondeur désirée et bloquez la tige en serrant fermement le bouton de l'index de profondeur.
4. La profondeur de coupe désirée peut maintenant être atteinte en enfonçant la défonceuse jusqu'à ce que la tige de profondeur touche la butée choisie sur la tourelle.

### ▼ AUTRE CONFIGURATION POSSIBLE POUR LA TIGE DE PROFONDEUR ET LA TOURELLE

1. Une autre façon de placer un dispositif de montage de la profondeur de toupillage désirée (comme une charnière devant être mortaisée) sur l'étage inférieur de la tourelle.

2. Puis abaissez la tige de profondeur jusqu'à ce qu'elle entre en contact avec le dispositif de montage.
3. Fixez la tige en position en serrant fermement le bouton de l'indicateur de profondeur.
4. Retirez le dispositif de montage pour terminer.

### ▼ USINAGES PROFONDS

Pour faire des usinages profonds, faites des passes successives de profondeur croissante en commençant avec la butée la plus haute de la tourelle et, après chaque passe, en positionnant la tourelle de profondeur au choix sur des butées progressivement plus basses jusqu'à ce que la profondeur finale (butée la plus basse ou surface plate de la tourelle) soit atteinte. Procédez par incréments de 1/8 po.

Pour vous assurer que vos réglages de profondeur sont corrects, vous pouvez faire des essais sur des chutes avant de commencer l'usinage.

### ▼ RÉGLAGE FIN

L'embase plongeante PR111 est dotée d'un système de réglage fin qui permet de faire un réglage micrométrique de la profondeur de plongée du fer de la défonceuse, apportant ainsi une grande précision d'usinage.

Chaque tour complet de la bouton de réglage fin règle la profondeur de plongée de 1/32 po et chacun des quatre repères sur le bouton représente 1/128 po.

Pour utiliser le bouton de réglage fin, une fois que la tige de profondeur et que la tourelle ont été réglés, vérifiez le réglage final de la profondeur ainsi que le réglage fin comme suit :

Pour augmenter la profondeur de manière micrométrique, relevez la molette de réglage fin en la tournant en sens anti-horaire de la valeur désirée.

Pour diminuer la profondeur de manière micrométrique, abaissez la molette de réglage fin en la tournant en sens horaire de la valeur désirée.

**Remarques :**



## Consignes de fonctionnement

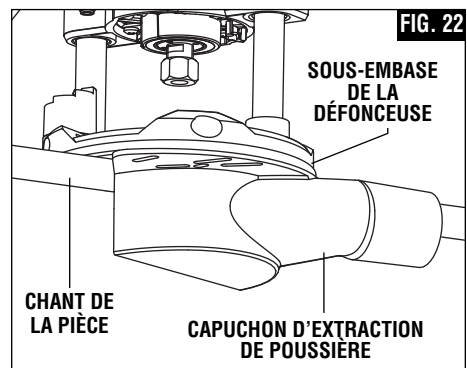
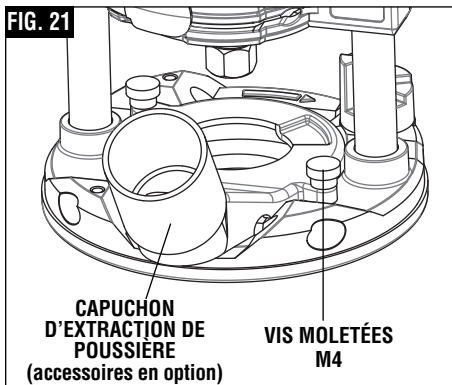
- Quand on effectue un réglage micrométrique de la profondeur de plongée, il est plus facile de déplacer la molette de réglage fin vers le haut que vers le bas. Avant de régler la tige de profondeur et la tourelle, donnez plusieurs tours vers le bas à la molette de réglage fin pour l'éloigner de sa position haute afin d'avoir la possibilité de la régler vers le haut.
  - La molette de réglage fin ne peut pas être utilisée pour réduire la profondeur de plongée si la tige de profondeur est déjà en contact avec une butée de la tourelle. Il faut relever la défonceuse avant de pouvoir effectuer ce type de réglage.
4. Enfoncez la toupie aussi profondément que possible jusqu'à ce que le fer atteigne la profondeur fixée.
  5. Verrouillez le levier de verrouillage de la coupe en plongée.
  6. Effectuez l'opération de toupillage en suivant les instructions de la section consacrée à l'avancement de la toupie, qui commence à la page 13 de ce mode d'emploi.
  7. Déverrouillez le levier de verrouillage de la coupe en plongée. Ceci permettra de détacher le fer de toupie de l'ouvrage.
  8. Mettez la toupie hors tension.

La toupie doit être soulevée avant qu'un tel réglage puisse être effectué.

### ► Utilisation de la toupie dans la base de coupe en plongée

Saisissez les deux poignées de préhension de la base de coupe en plongée pendant l'utilisation (voir Fig. 2).

1. Mettez la toupie sous tension.
2. Laissez le fer de toupie atteindre la vitesse maximale telle que réglée sur le cadran avant de plonger la tête de coupe dans l'ouvrage.
3. Appuyez sur le levier de verrouillage de la coupe en plongée pour rendre la coupe en plongée possible.



### ► Ramassage des poussières de la défonceuse avec embase plongeante PR012

Ce capuchon d'extraction de poussière est conçu pour s'utiliser avec l'embase plongeante (PR111) quand le toupillage est effectué au milieu de la pièce, comme par exemple lors de l'usinage de rainures ou de profils de marqueterie. Si vous avez un système d'aspiration d'atelier, vous pouvez monter le capuchon d'aspiration de manière à améliorer la visibilité, la précision et l'utilité de l'outil, plus spécialement lors du toupillage à main levée.

Pour monter le capuchon, positionnez-le comme indiqué et fixez l'adaptateur à l'embase à l'aide des vis moletées fournies (Fig. 21).

Le capuchon d'aspiration des

## Consignes de fonctionnement

poussières peut également être installé avec son raccord tourné vers l'avant de l'outil.

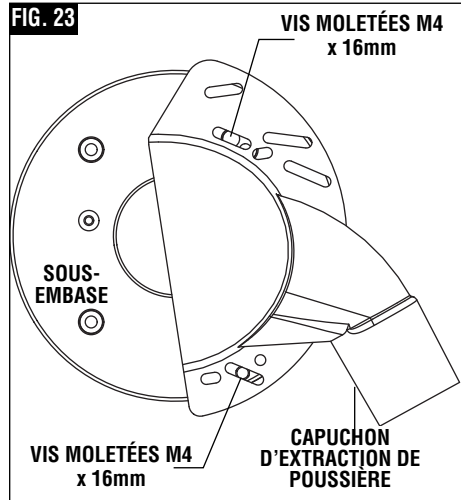
### ► Ramassage de poussière lors du moulrage de chants RA1175

**⚠ AVERTISSEMENT** Éloignez-vous de la zone du fer tant que la défonceuse est en marche ou branchée. Pour éviter d'emmêler les tuyaux, n'utilisez pas ce capuchon d'extraction en même temps qu'un autre capuchon d'extraction, quel qu'il soit.

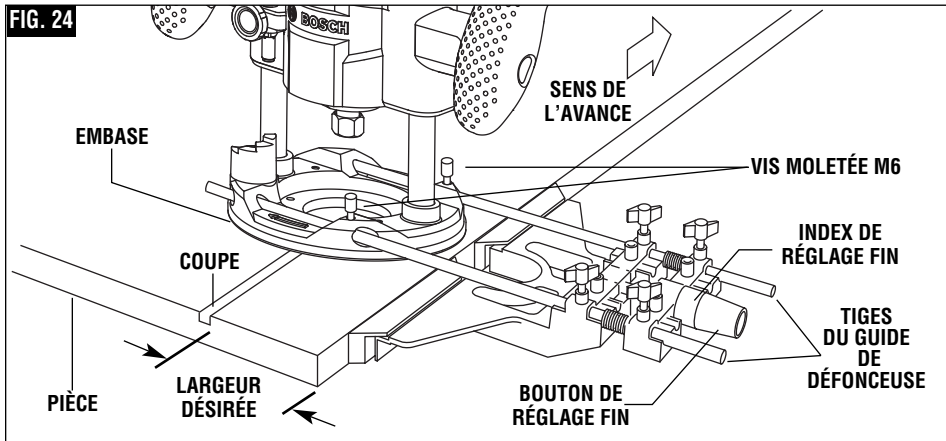
Ce capuchon d'extraction de poussière (accessoire en option) est utilisé pour ramasser la poussière produite lors du moulrage de chants (Fig. 22).

### ▼ MONTAGE DU CAPUCHON D'ASPIRATION DES POUSSIÈRES

Vous pouvez fixer le capuchon pour toupillage de chants à des emplacements différents suivant vos besoins ou préférences. Le capuchon d'aspiration de la poussière est attaché à l'embase plongeante au



moyen de deux vis moletées à oreilles M4. Deux trous auxiliaires sont prévus dans l'embase plongeante pour permettre la fixation. Attachez le capuchon d'aspiration de la poussière – par-dessus la sous-embase de la toupie – en utilisant les vis fournies avec le capuchon. Serrez fermement les vis. (Figures 22 et 23)



### ► Guide de défonceuse de luxe

(Non compris, disponible en accessoire)

Le guide de défonceuse de luxe Bosch est un accessoire en option qui guide la défonceuse parallèlement à

un chant droit ou qui vous permet de créer des cercles ou des arcs de cercle.

Le guide de défonceuse de luxe est fourni avec deux tiges et des vis pour le fixer (Fig. 24). De plus, il est muni d'un bouton de réglage fin et d'un

## Consignes de fonctionnement

curseur permettant de positionner précisément le guide par rapport au fer. Une fois le guide installé et réglé, la défonceuse doit être poussée normalement en maintenant le guide en contact permanent avec le bord de la pièce. Le guide de défonceuse de luxe peut également être placé directement en dessous de l'embase de la défonceuse pour les tâches qui nécessitent de travailler près du bord de la pièce.

Le guide de défonceuse de luxe comprend un capuchon d'aspiration des poussières et l'adaptateur VAC002 pour flexible d'aspiration.

Des consignes complètes d'utilisation et d'installation sont incluses avec cet accessoire. Veuillez vous y référer.

### ► Gabarit de guidage

La embase plongeante peut également être utilisée avec le système de gabarit de guidage à changement rapide en option, une autre exclusivité Bosch, qui saisit fermement les guides dans un anneau à ressort. À la différence des gabarits de guidage conventionnels, il n'y a pas d'anneau fileté qui risquerait de se détacher pendant le toupillage (Fig. 25).

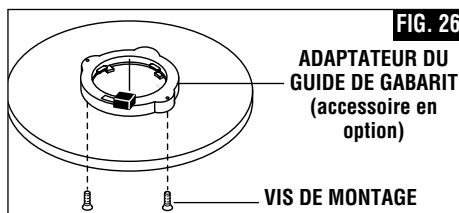
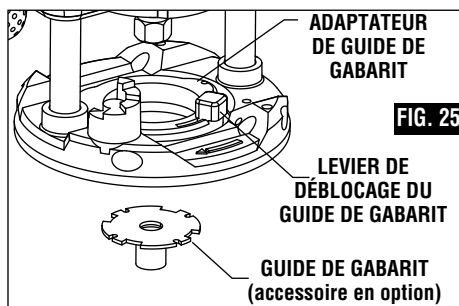
### ▼ POSE DE L'ADAPTATEUR DU GUIDE DE GABARIT

(Non fourni, disponible à titre d'accessoire)

Placez l'adaptateur du guide de gabarit par-dessus les trous au centre de l'embase, et alignez les deux trous filetés au bas de l'adaptateur sur les trous fraisés de l'embase. Fixez l'adaptateur à l'aide des vis fournies. Il convient de noter que l'adaptateur est réversible, de sorte que le levier de relâchement peut être positionné de la manière désirée. (Fig. 26)

### ▼ CENTRAGE DU SUPPORT DE LA BASE OU DES GABARITS DE GUIDAGE

Votre embase plongeante PR111 incorpore le modèle de centrage de précision de Bosch. Le support de sa base est centré de façon précise à



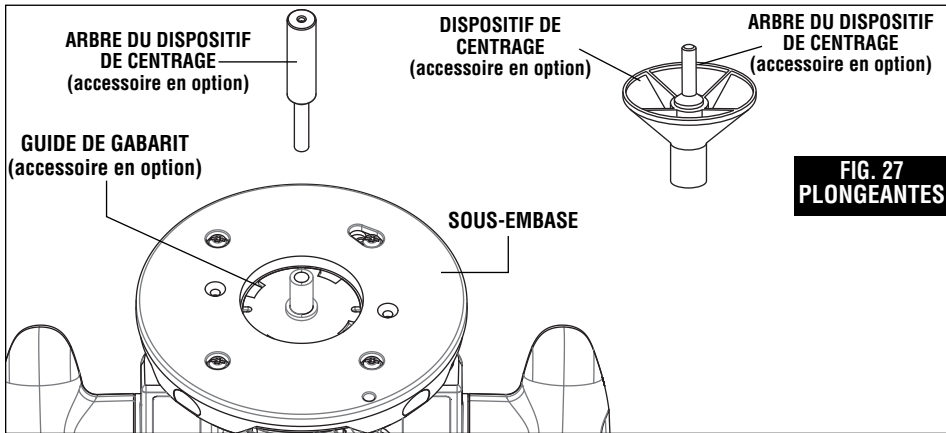
l'usine. Ceci permet de positionner la mèche au centre du support de la base et des gabarits de guidage en option.

Le centrage de précision vous permet de vous servir du bord du support de la base ou des gabarits de guidage pour suivre de près des dispositifs de guidage fixés sur l'ouvrage tels que des réglets, des modèles et des queues d'aronde sans avoir à vous inquiéter du «dérage» de la mèche par rapport au trait de coupe prévu pour quelque raison que ce soit, y compris l'orientation des poignées de la toupie par rapport au dispositif de guidage fixé sur l'ouvrage.

Pour recentrer de la façon la plus précise possible le support de la base ou les gabarits de guidage, attachez le support de la base en utilisant le dispositif de centrage Bosch RA1151. Suivez les étapes 1 à 8 ci-dessous (Fig. 47).

1. Si un gabarit de guidage doit être centré, installez l'adaptateur du gabarit de guidage et le gabarit de guidage (compléments en option) comme cela est décrit par ailleurs dans ce mode d'emploi.
2. Desserrez les quatre vis qui assujettissent la sous-embase à l'embase.

## Consignes de fonctionnement



- Préparez le dispositif de centrage :
    - Utilisez l'extrémité étroite de l'arbre en acier.
    - Lorsque vous centrez un support de base ou un gabarit de guidage qui a une ouverture de plus de 1/2 po, faites glisser le manchon en plastique large au-dessus de l'arbre en acier.
  - Faites glisser le dispositif de centrage à travers le support de la base ou le gabarit de guidage jusqu'à ce qu'il soit à l'intérieur de la douille. Serrez l'écrou de la douille avec les doigts pour immobiliser le dispositif de centrage.
  - Appuyez légèrement sur le dispositif de centrage vers l'intérieur du support de la base ou du gabarit de guidage pour le centrer.
  - Serrez les vis à tête tronconique. Retirez le dispositif de centrage.
  - Le centrage de précision du support de la base ou du gabarit de guidage est maintenant terminé.
- DISPOSITIF DE CENTRAGE - Utilisé lors du centrage de la sous-embase elle-même ou de gabarits de guidage.

### ▼ TAILLE MAXIMUM DE LA MÈCHE/DÉS ÉLÉMENTS COUPANTS POUR LES GABARITS DE GUIDAGE

Lorsque vous utilisez un gabarit de guidage, employez seulement une mèche de toupie avec des éléments coupants d'un diamètre inférieur de 1/16 po au diamètre intérieur du gabarit de guidage, comme indiqué au tableau ci-dessous.

Gabarit de guidage Bosch	Profondeur de la douille	Diamètre extérieur	Diamètre intérieur	Diamètre max. de la mèche/de l'élément coupant
	A	B	B	
RA1101	3/16 po	5/16 po	1/4 po	<b>3/16 po</b>
RA1103	9/64 po	5/16 po	17/64 po	<b>13/64 po</b>
RA1105	9/64 po	7/16 po	3/8 po	<b>5/16 po</b>
RA1107	5/16 po	7/16 po	3/8 po	<b>5/16 po</b>
RA1109	7/16 po	1/2 po	13/32 po	<b>11/32 po</b>
RA1111	3/16 po	5/8 po	17/32 po	<b>15/32 po</b>
RA1113	1/2 po	5/8 po	17/32 po	<b>15/32 po</b>
RA1115	3/16 po	3/4 po	21/32 po	<b>19/32 po</b>
RA1117	31/64 po	13/16 po	5/8 po	<b>9/16 po</b>
RA1119	31/64 po	1 po	25/32 po	<b>21/32 po</b>
RA1121	7/16 po	1-3/8 po	1-19/64 po	<b>1-15/64 po</b>

## Consignes de fonctionnement

### ▼ UTILISATION AVEC DES GABARITS DE GUIDAGE FILETÉS

Un accessoire additionnel, l'adaptateur RA110, est également disponible en option. Il permet d'employer des gabarits de guidage filetés conventionnels avec le système à relâchement rapide de Bosch.

### ► Attachement pour stratifiés PR006

(Disponible comme attachement en option)

L'attachement pour stratifiés PR006 est utilisé pour créer des joints de précision entre deux feuilles de stratifiés (Fig. 28), comme pour des constructions avec montants et rails, et pour les très grandes surfaces. Il est attaché au fond de la base de coupe en plongée PR111.

### ▼ INSTALLATION (FIG. 29)

1. Retirez les vis arrière qui sont utilisées pour assujettir l'embase à la base de coupe en plongée PR111.
2. Attachez le côté alimentation d'entrée de l'attachement PR006 à la base de coupe en plongée en utilisant une vis à tête hexagonale.
3. Insérez l'adaptateur d'excentrique dans la poche d'alimentation de sortie de l'attachement PR006.
4. Attachez le côté alimentation de sortie de l'attachement PR006 à la base de coupe en plongée en utilisant une vis à tête hexagonale.

### ▼ INSTALLATION DU FER

- Le fer recommandé pour utilisation avec l'accessoire de sous-embase pour joints est le fer Bosch 85213M avec un diamètre de coupe de 1/8 po.
- Le fer doit être installé conformément aux instructions de la page 35.

### ▼ REGLAGE DE LA HAUTEUR DU FER

Une fois le fer installé, sa hauteur

FIG. 28

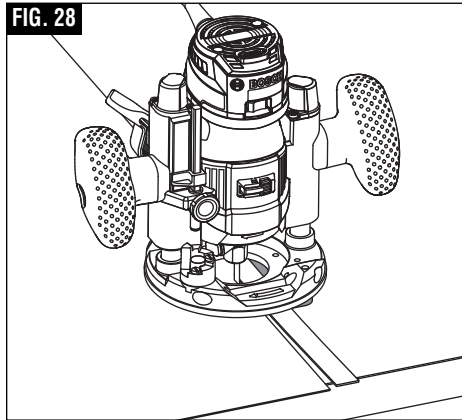


FIG. 29

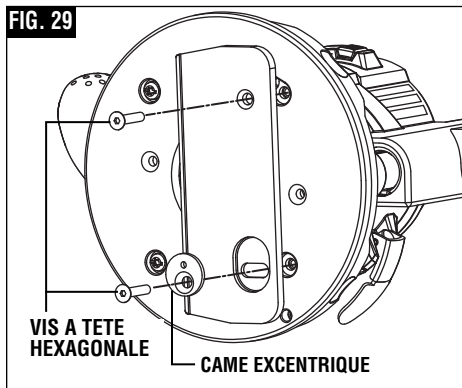
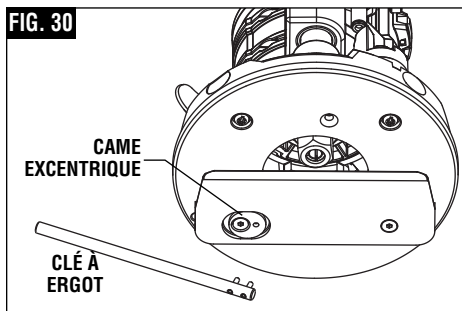


FIG. 30



peut être ajustée de la façon suivante :

1. Abaissez le fer jusqu'à ce qu'il pénètre à peine dans le logement qui a été usiné dans la plaque en aluminium de la sous-embase pour joints.
2. L'outil est maintenant prêt pour

## Consignes de fonctionnement

faire une coupe d'essai.

### ▼ AJUSTAGE D'AVANT EN L'ARRIERE

S'il y a lieu, le point de coupe peut être ajusté d'avant en arrière de la façon suivante (Fig. 30) :

1. Desserrez les deux vis fixant la plaque en aluminium.
2. Utilisez la clé à ergot pour régler l'ajusteur excentrique de la manière suivante :
  - Pour un joint plus serré, faites tourner la came excentrique dans le sens des aiguilles d'une montre (vue depuis le dessous de l'embase).
  - Pour un joint moins serré, faites tourner la came excentrique dans le sens inverse des aiguilles d'une montre (vue depuis le dessous de l'embase).

3. Resserrez les vis.
4. Faites une coupe d'essai.
5. Répétez les étapes 1 à 4 autant que cela est nécessaire.

### ▼ CREATION D'UN JOINT

1. Pour créer un joint soigné et précis, veillez à ce que la pièce stratifiée de guidage soit munie d'un bord droit et net car elle servira de guide à la sous-embase pour joints.
2. De l'adhésif de contact doit être appliqué sur le matériau noyau du substrat et sur la pièce stratifiée de guidage jusqu'à 1 po de son bord de guidage.

### ► **Attachement d'un tuyau flexible d'aspirateur/extracteur de poussière**

Les orifices des tuyaux flexibles sur les modèles PR012, RA1175 et RA1054 sont compatibles avec les buses typiques des tuyaux flexibles d'aspirateur de 35 mm, comme la buse VX120, qui est fournie avec les tuyaux flexibles Bosch de la série VH.

Pour les connecter avec un tuyau flexible de 1-1/4 po ou de 1-1/2 po, l'adaptateur pour tuyau flexible d'aspirateur Bosch VAC002 ou VAC024 (tous deux vendus séparément) peut être utilisé.

Pour connecter la scie avec un tuyau flexible de 1-1/4 po ou de 1-1/2 po, l'adaptateur Bosch VAC002 ou VAC024 (tous deux vendus séparément) peut être utilisé.

## Entretien

### ► Service

**⚠ AVERTISSEMENT** **Tout entretien préventif effectué par des personnels non autorisés peut résulter en mauvais placement de fils internes ou de pièces, ce qui peut présenter un danger grave.** Nous vous conseillons de faire faire tout l'entretien par un centre de service d'usine Bosch ou une station service agréée Bosch.

### ▼ LUBRIFICATION DE L'OUTIL

Votre outil Bosch a été lubrifié correctement en usine et il est prêt à l'utilisation. Nous vous conseillons de re-graisser les outils qui comportent des engrenages avec un lubrifiant à engrenages spécial à chaque fois que vous changez les balais.

### ▼ BALAIS OU CHARBONS

Les balais (ou charbons) et le collecteur de votre outil ont été conçus pour apporter de nombreuses heures de fonctionnement fiable. Pour maintenir le rendement du moteur à son maximum, nous vous conseillons de contrôler les balais tous les deux à six mois. Il ne faut utiliser que des balais de rechange Bosch d'origine et conçus pour votre outil.

### ▼ PALIERS

Si les paliers commencent à faire du bruit (à cause de surcharges importantes ou du toupillage de matériaux très abrasifs) il faut les faire remplacer immédiatement pour éviter la surchauffe ou une panne de moteur.

### ► Nettoyage

**⚠ AVERTISSEMENT** **Pour éviter les accidents, il faut toujours débrancher l'outil avant de le nettoyer ou de l'entretenir.** Le meilleur moyen de nettoyer l'outil est d'utiliser de l'air comprimé sec. **Il faut toujours porter des lunettes de protection quand on utilise de l'air comprimé.**

Les ouïes de ventilation et les leviers de l'interrupteur doivent rester propres et exempts de corps étrangers. Ne tentez pas de les nettoyer en enfonçant des objets pointus dans les orifices.

**⚠ MISE EN GARDE** **Certains agents de nettoyages et certains dissolvants abîment les pièces en plastique.** Parmi ceux-ci se trouvent: l'essence, le tétrachlorure de carbone, les dissolvants de nettoyage chlorés, l'ammoniaque ainsi que les détergents domestiques qui en contiennent.

## Cordons de rallonge

**⚠ AVERTISSEMENT** **Si un cordon de rallonge s'avère nécessaire, vous devez utiliser un cordon avec conducteurs de dimension adéquate pouvant porter le courant nécessaire à votre outil.** Ceci préviendra une chute excessive de tension, une perte de courant ou une surchauffe. Les outils mis à la terre doivent utiliser des cordons de rallonge trifilaires pourvus de fiches à trois broches.

**REMARQUE :** Plus le calibre est petit, plus le fil est gros.

### DIMENSIONS DE RALLONGES RECOMMANDÉES OUTILS 120 VOLTS COURANT ALTERNATIF

Intensité nominale de l'outil	Calibre A.W.G.				Calibre en mm <sup>2</sup>			
	Longueur en pieds				Longueur en mètres			
	25	50	100	150	15	30	60	120
<b>3-6</b>	18	16	16	14	0.75	0.75	1.5	2.5
<b>6-8</b>	18	16	14	12	0.75	1.0	2.5	4.0
<b>8-10</b>	18	16	14	12	0.75	1.0	2.5	4.0
<b>10-12</b>	16	16	14	12	1.0	2.5	4.0	-
<b>12-16</b>	14	12	-	-	-	-	-	-

## Accessoires et compléments





**⚠ AVERTISSEMENT** L'utilisation d'autres accessoires et attachements non spécifiés dans ce mode d'emploi pourrait être dangereuse.

- PR101 Base fixe\*\*
  - PR102 Guide de toupie droit†
  - PR110 Sous-embase ronde pour guide de gabarit fileté
  - PR111 Embase plongeante
  - Fers à toupie
  - Mallette de transport\*\*
  - Clé à écrou de douille de 17 mm\*\*
  - RA1151 Dispositif de centrage
  - Attachement pour stratifiés PR006 pour base de coupe en plongée
  - Hotte d'extraction de la poussière PR012 pour base de coupe en plongée
  - Hotte d'extraction de la poussière avec formation de bord RA1175 pour base de coupe en plongée pour base de coupe en plongée
  - Guide de toupie RA1054 Deluxe
  - Tuyaux flexibles pour aspirateur
  - Adaptateurs de tuyaux flexibles pour aspirateur
- \* Inclus avec GKF125CEN  
† Inclus avec GKF125CEK  
\* Inclus avec GKF125CEPK



## Símbolos de seguridad

Las definiciones que aparecen a continuación describen el nivel de gravedad de cada palabra de señal de seguridad. Por favor, lea el manual y preste atención a estos símbolos.

	<p>Éste es el símbolo de alerta de seguridad. Se utiliza para alertarle a usted de posibles peligros de lesiones corporales. Obedezca todos los mensajes de seguridad que sigan a este símbolo para evitar posibles lesiones o muerte.</p>
	<p>PELIGRO indica una situación peligrosa que, si no se evita, causará la muerte o lesiones graves.</p>
	<p>ADVERTENCIA indica una situación peligrosa que, si no se evita, podría causar la muerte o lesiones graves.</p>
	<p>PRECAUCIÓN indica una situación peligrosa que, si no se evita, podría causar lesiones leves o moderadas.</p>

## Advertencias generales de seguridad para herramientas mecánicas

**ADVERTENCIA** Lea todas las advertencias de seguridad y todas las instrucciones. Si no se siguen las advertencias e instrucciones, el resultado podría ser sacudidas eléctricas, incendio y/o lesiones graves.

### GUARDE TODAS LAS ADVERTENCIAS E INSTRUCCIONES PARA REFERENCIA FUTURA

La expresión “herramienta mecánica” en las advertencias se refiere a su herramienta mecánica alimentada por la red eléctrica (herramienta alámbrica) o su herramienta mecánica alimentada por baterías (herramienta inalámbrica).

### Seguridad del área de trabajo

**Mantenga el área de trabajo limpia y bien iluminada.** Las áreas desordenadas u oscuras invitan a que se produzcan accidentes.

**No utilice herramientas mecánicas en atmósferas explosivas, como por ejemplo en presencia de líquidos, gases o polvos inflamables.** Las herramientas mecánicas generan chispas que pueden incendiar el polvo o los vapores.

**Mantenga alejados a los niños y a las personas que estén presentes mientras esté utilizando una herramienta mecánica.** Las distracciones pueden hacerle perder el control de la herramienta.

### ► Seguridad eléctrica

**Los enchufes de las herramientas mecánicas deben coincidir con el tomacorriente. No modifique nunca el enchufe de ningún modo. No use**

**enchufes adaptadores con herramientas mecánicas conectadas a tierra (puestas a tierra).** Los enchufes no modificados y los tomacorrientes coincidentes reducirán el riesgo de sacudidas eléctricas.

**Evite el contacto del cuerpo con las superficies conectadas o puestas a tierra, tales como tuberías, radiadores, estufas y refrigeradores.** Hay un aumento del riesgo de sacudidas eléctricas si el cuerpo del operador se conecta o pone a tierra.

**No exponga las herramientas mecánicas a la lluvia o a condiciones mojadas.** La entrada de agua en una herramienta mecánica aumentará el riesgo de que se produzcan sacudidas eléctricas.

**No maltrate el cordón de energía. No use nunca el cordón para transportar la herramienta mecánica, tirar de ella o desenchufarla. Mantenga el cordón alejado del calor, el aceite, los bordes afilados o las piezas móviles.** Los cordones dañados o enganchados aumentan el riesgo de que se produzcan sacudidas eléctricas.

**Quando utilice una herramienta mecánica en el exterior, use un cordón de extensión adecuado para uso a la intemperie.** La utilización de un cordón adecuado para uso a la intemperie reduce el riesgo de que se produzcan sacudidas eléctricas.

**Si es inevitable utilizar una herramienta mecánica en un lugar húmedo, utilice una fuente de energía protegida por un interruptor de circuito accionado por corriente de pérdida a tierra (GFCI).** El uso de un GFCI reduce el riesgo de sacudidas eléctricas.

### ► Seguridad personal

**Manténgase alerta, fijese en lo que está haciendo y use el sentido común cuando esté utilizando una herramienta mecánica. No use una herramienta mecánica cuando esté cansado o bajo la influencia de drogas, alcohol o medicamentos.** Un momento de distracción mientras esté utilizando herramientas mecánicas podría causar lesiones corporales graves.

**Use equipo de protección personal. Use siempre protección de los ojos.** El equipo de protección, como por ejemplo una máscara antipolvo, calzado de seguridad antideslizante, casco o protección de oídos, utilizado para las condiciones apropiadas, reducirá las lesiones corporales.

**Evite el arranque accidental. Asegúrese de que el interruptor esté en la posición de apagado antes de conectar la herramienta a la fuente de energía y / o al paquete de batería, levantar la herramienta o transportarla.** Transportar herramientas mecánicas con un dedo en el interruptor o encender herramientas mecánicas que tengan el interruptor en la posición de encendido invita a que se produzcan accidentes.

**Quite todas las llaves de ajuste o de tuerca antes de encender la herramienta mecánica.** Una llave de tuerca o de ajuste que se deje colocada en una pieza giratoria de la herramienta mecánica podría causar lesiones corporales.

**No intente alcanzar demasiado lejos. Mantenga un apoyo de los pies y un equilibrio apropiados en todo momento.** Esto permite controlar mejor la herramienta mecánica en situaciones inesperadas.

**Vístase adecuadamente. No use ropa**

**holgada ni alhajas holgadas. Mantenga el pelo, la ropa y los guantes alejados de las piezas móviles.** La ropa holgada, las alhajas holgadas o el pelo largo pueden quedar atrapados en las piezas móviles.

**Si se proporcionan dispositivos para la conexión de instalaciones de extracción y recolección de polvo, asegúrese de que dichas instalaciones estén conectadas y se usen correctamente.** El uso de dispositivos de recolección de polvo puede reducir los peligros relacionados con el polvo.

### ► Uso y cuidado de las herramientas mecánicas

**No fuerce la herramienta mecánica. Use la herramienta mecánica correcta para la aplicación que desee realizar.** La herramienta mecánica correcta hará el trabajo mejor y con más seguridad a la capacidad nominal para la que fue diseñada.

**No use la herramienta mecánica si el interruptor no la enciende y apaga.** Toda herramienta mecánica que no se pueda controlar con el interruptor es peligrosa y debe ser reparada.

**Desconecte el enchufe de la fuente de energía y/o el paquete de batería de la herramienta mecánica antes de hacer cualquier ajuste, cambiar accesorios o almacenar herramientas mecánicas.** Dichas medidas preventivas de seguridad reducen el riesgo de arrancar accidentalmente la herramienta mecánica.

**Guarde las herramientas que no esté usando fuera del alcance de los niños y no deje que personas que no estén familiarizadas con la herramienta mecánica o con estas instrucciones utilicen la herramienta.** Las herramientas mecánicas son peligrosas en manos de usuarios que no hayan recibido capacitación.

**Mantenga las herramientas mecánicas. Compruebe si hay piezas móviles desalineadas o que se atorán, si hay piezas rotas y si existe cualquier otra situación que podría afectar el funcionamiento de la herramienta mecánica.** Si la herramienta mecánica está dañada, haga que la reparen antes de usarla. Muchos accidentes son causados por herramientas mecánicas mantenidas deficientemente.

**Mantenga las herramientas de corte afiladas y limpias.** Es menos probable que

las herramientas de corte mantenidas apropiadamente, con bordes de corte afilados, se atoren, y dichas herramientas son más fáciles de controlar.

**Utilice la herramienta mecánica, los accesorios, las brocas de la herramienta, etc., de acuerdo con estas instrucciones, teniendo en cuenta las condiciones de trabajo y el trabajo que se vaya a realizar.** El uso de la herramienta mecánica para operaciones distintas a aquéllas para las que fue diseñada podría causar una situación peligrosa.

## ► Servicio de ajustes y reparaciones

**Haga que su herramienta mecánica reciba servicio de un técnico de reparaciones calificado, utilizando únicamente piezas de repuesto idénticas.** Esto asegurará que se mantenga la seguridad de la herramienta mecánica.

## Normas de seguridad para fresadoras

**Agarre la herramienta eléctrica por las superficies de agarre con aislamiento, porque puede que el cortador entre en contacto con su propio cable de alimentación.** Si se corta un cable que tenga corriente, se puede hacer que las partes metálicas de la herramienta eléctrica que estén al descubierto tengan corriente y causen una descarga eléctrica al operador.

**Use abrazaderas u otro modo práctico de asegurar y soportar la pieza de trabajo en una plataforma estable.** Si se sujeta la pieza de trabajo con la mano o contra el cuerpo, se crea una situación inestable y es posible que eso cause pérdida de control.

**Si el corte en paredes existentes u otras áreas ciegas donde puedan existir cables eléctricos es inevitable, desconecte todos los fusibles o cortacircuitos que alimentan el lugar de trabajo.**

**Asegúrese siempre de que la superficie de trabajo no tenga clavos ni otros objetos extraños.** El corte de un clavo puede hacer que la broca y la herramienta salten y que la broca se dañe.

**Nunca tenga la pieza de trabajo en una mano y la herramienta en la otra al utilizarla. Nunca ponga las manos cerca o debajo de la superficie de corte.** Es más seguro fijar con abrazaderas el material y guiar la herramienta con ambas manos.

**Nunca ponga la pieza de trabajo sobre superficies duras, tales como hormigón, piedra, etc...** la broca de corte que sobresale podrá hacer que la herramienta salte.

**Use siempre gafas de seguridad y máscara antipolvo. Use la herramienta**

**únicamente en un área bien ventilada.** La utilización de dispositivos de seguridad personal y el trabajar en un entorno seguro reducen el riesgo de que se produzcan lesiones.

**Después de cambiar las brocas o de hacer ajustes, asegúrese de que la tuerca del portaherramienta y otros dispositivos de ajuste estén apretados firmemente.** Un dispositivo de ajuste flojo puede desplazarse inesperadamente, causando pérdida de control, y los componentes giratorios flojos saldrán despedidos violentamente.

**Nunca arranque la herramienta cuando la broca esté acoplada en el material.** El borde de corte de la broca puede engancharse en el material, causando pérdida de control de la cortadora.

**Sujete siempre la herramienta con las dos manos durante el arranque.** El par de reacción del motor puede hacer que la herramienta se tuerza.

**El sentido de avance de la broca en el material es muy importante y está relacionado con el sentido de giro de la broca. Al mirar a la herramienta desde arriba, la broca gira en el sentido de las agujas del reloj. El sentido de avance de corte debe ser en contra de las agujas del reloj.** NOTA: Los cortes interiores y exteriores requerirán un sentido de avance distinto; consulte la sección sobre avance de la fresadora. El hacer avanzar la herramienta en sentido incorrecto hace que el borde de corte de la broca se salga de la pieza de trabajo y tire de la herramienta en el sentido de este avance.

**Nunca use brocas desafiladas o dañadas. Las brocas afiladas se deben manejar con cuidado.** Las brocas dañadas pueden

romperse bruscamente durante el uso. Las brocas desafiladas requieren más fuerza para empujar la herramienta, con lo que es posible que la broca se rompa.

**Nunca toque la broca durante ni inmediatamente después de la utilización.**

Después del uso, la broca está demasiado caliente como para tocarla con las manos desnudas.

**Nunca deje la herramienta hasta que el motor se haya detenido por completo.** La broca que gira puede engancharse en la superficie y tirar de la herramienta haciendo que usted pierda el control.

**El diámetro del cortador debe ser al menos 1/4" más pequeño que la abertura para la broca y el cortador.**

## Advertencias de seguridad adicionales

**Utilice únicamente brocas de fresadora que tengan diámetros de vástago que coincidan con el portaherramienta instalado.** La utilización de una broca de fresadora que tenga un vástago más pequeño podría hacer que la broca se suelte durante su utilización y se convierta en un proyectil.

**No utilice nunca brocas de fresadora a velocidades que sean más altas que su velocidad nominal máxima.** Las brocas de fresadora que giren a una velocidad mayor que su velocidad nominal se pueden romper y salir despedidas.

Un GFCI y los dispositivos de protección personal, como guantes de goma y calzado de goma de electricista, mejorarán más su seguridad personal.

**No use herramientas mecánicas con capacidad nominal solamente para CA con una fuente de energía de CC.** Aunque pueda parecer que la herramienta funciona correctamente, es probable que los componentes eléctricos de la herramienta con capacidad nominal para CA fallen y creen un peligro para el operador.

**Mantenga los mangos secos, limpios y libres de aceite y grasa.** Las manos resbalosas no pueden controlar de modo seguro la herramienta mecánica.

**Use abrazaderas u otro modo práctico de sujetar y soportar la pieza de trabajo en una plataforma estable.** Si se sujeta la pieza de trabajo con la mano o contra el cuerpo, se crea una situación inestable que podría causar pérdida de control.

**Desarrolle un programa de mantenimiento periódico de la herramienta. Cuando limpie una herramienta, tenga cuidado de no desmontar ninguna de sus partes, ya que los cables internos podrían reubicarse**

**incorrectamente o pellizcarse, o los resortes de retorno de los protectores de seguridad podrían montarse incorrectamente.** Ciertos agentes de limpieza, tales como gasolina, tetracloruro de carbono, amoníaco, etc., podrían dañar las piezas de plástico.

Riesgo de lesiones para el usuario. El cordón de energía debe recibir servicio de ajustes y reparaciones solamente por un Centro de Servicio de Fábrica Bosch o una Estación de Servicio Bosch Autorizada.

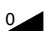



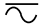


**⚠ ADVERTENCIA** Cierta **polvo generado por el lijado, aserrado, amolado y taladrado mecánicos, y por otras actividades de construcción, contiene agentes químicos que se sabe que causan cáncer, defectos de nacimiento u otros daños sobre la reproducción. Algunos ejemplos de estos agentes químicos son:**

- Plomo de pinturas a base de plomo,
- Sílice cristalina de ladrillos y cemento y otros productos de mampostería, y
- Arsénico y cromo de madera tratada químicamente.

Su riesgo por causa de estas exposiciones varía, dependiendo de con cuánta frecuencia realice este tipo de trabajo. Para reducir su exposición a estos agentes químicos: trabaje en un área bien ventilada y trabaje con equipo de seguridad aprobado, como por ejemplo máscaras antipolvo que estén diseñadas especialmente para impedir mediante filtración el paso de partículas microscópicas.












## Símbolos

**Importante:** Es posible que algunos de los símbolos siguientes se usen en su herramienta. Por favor, estúdielos y aprenda su significado. La interpretación adecuada de estos símbolos le permitirá utilizar la herramienta mejor y con más seguridad.

Símbolo	Désignación/Explicación
V	Volt (tensión)
A	Ampere (corriente)
Hz	Hertz (frecuencia, ciclos por segundo)
W	Watt (potencia)
kg	Kilogramo (peso)
min	Minuto (tiempo)
s	Segundo (tiempo)
∅	Diámetro (tamaño de las brocas taladradoras, muelas, etc)
$n_0$	Velocidad sin carga (velocidad rotacional sin carga)
n	Velocidad nominal (máxima velocidad obtenible)
.../min	Revoluciones o alternación por minuto (revoluciones, golpes, velocidad de superficie, órbitas, etc., por minuto)
0	Posición "off" (velocidad cero, par motor cero...)
1, 2, 3, ... I, II, III,	Graduaciones del selector (graduaciones de velocidad, par motor o posición. Un número más alto significa mayor velocidad)
	Selector infinitamente variable con apagado (la velocidad aumenta desde la graduación de 0)
	Flecha (Acción en la dirección de la flecha)
	Corriente alterna (tipo o una característica de corriente)
	Corriente continua (tipo o una característica de corriente)
	Corriente alterna o continua (tipo o una característica de corriente)
	Construcción de clase II (designa las herramientas de construcción con aislamiento doble)
	Terminal de toma de tierra (terminal de conexión a tierra)

## Símbolos

**Importante:** Es posible que algunos de los símbolos siguientes se usen en su herramienta. Por favor, estúdielos y aprenda su significado. La interpretación adecuada de estos símbolos le permitirá utilizar la herramienta mejor y con más seguridad.

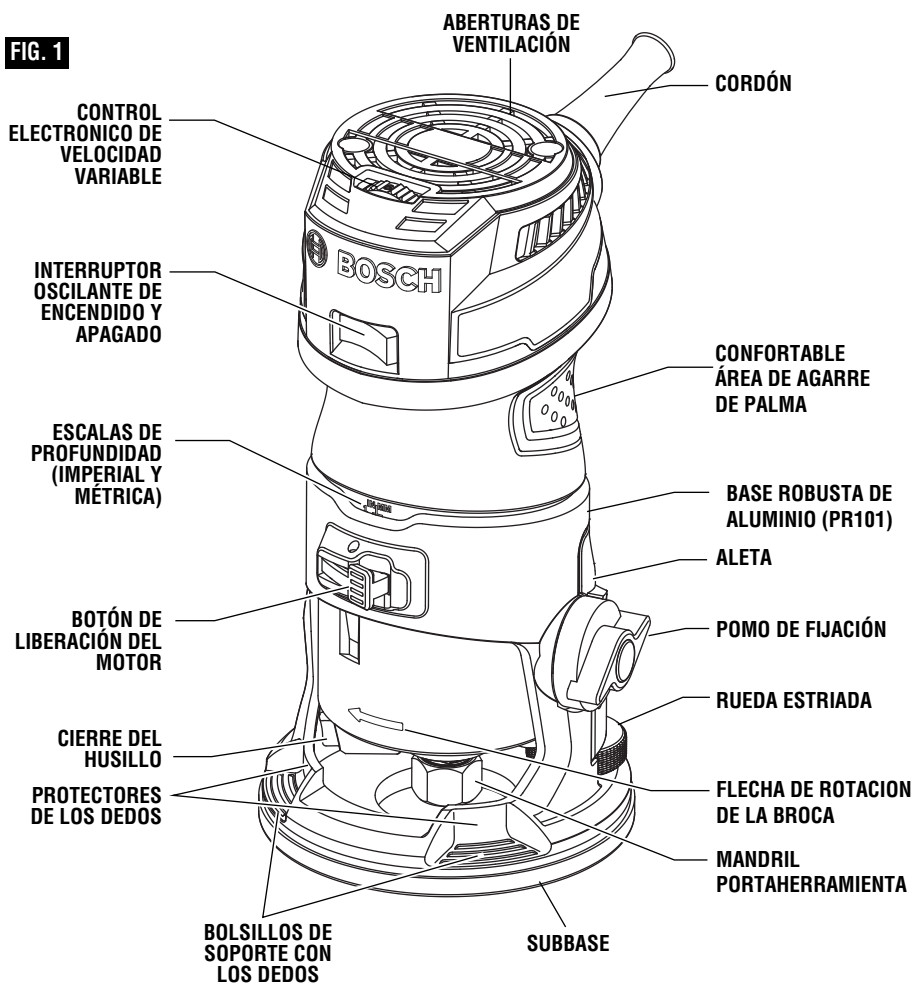
Símbolo	Désignación/Explicación
	Designa el programa de reciclaje de baterías de Li-ion.
	Designa el programa de reciclaje de baterías de Ni-Cd.
	Alerta al usuario para que lea el manual.
	Alerta al usuario para que use protección de los ojos.
	Este símbolo indica que esta herramienta está catalogada por Underwriters Laboratories.
	Este símbolo indica que este componente está reconocido por Underwriters Laboratories.
	Este símbolo indica que Underwriters Laboratories ha catalogado esta herramienta indicando que cumple con las normas estadounidenses y canadienses.
	Este símbolo indica que esta herramienta está catalogada por la Canadian Standards Association.
	Este símbolo indica que la Canadian Standards Association ha catalogado esta herramienta indicando que cumple con las normas estadounidenses y canadienses.
	Este símbolo indica que Intertek Testing Services ha catalogado esta herramienta indicando que cumple con las normas estadounidenses y canadienses.
	Este símbolo indica que esta herramienta cumple con la norma mexicana oficial (NOM).

## Descripción funcional y especificaciones

**ADVERTENCIA** Desconecte el enchufe de la fuente de energía antes de realizar cualquier ensamblaje o ajuste, o cambiar accesorios. Estas medidas de seguridad preventivas reducen el riesgo de arrancar la herramienta accidentalmente.

### Fresadora de palma con base fija

**FIG. 1**



**Número de modelo**

Capacidad del portaherramienta  
Max. Cutter Diameter

**GKF125CE**

cuerpo de 1/4"  
\*

\* El diámetro del cortador debe ser al menos 1/4" más pequeño que la abertura para la broca y el cortador.

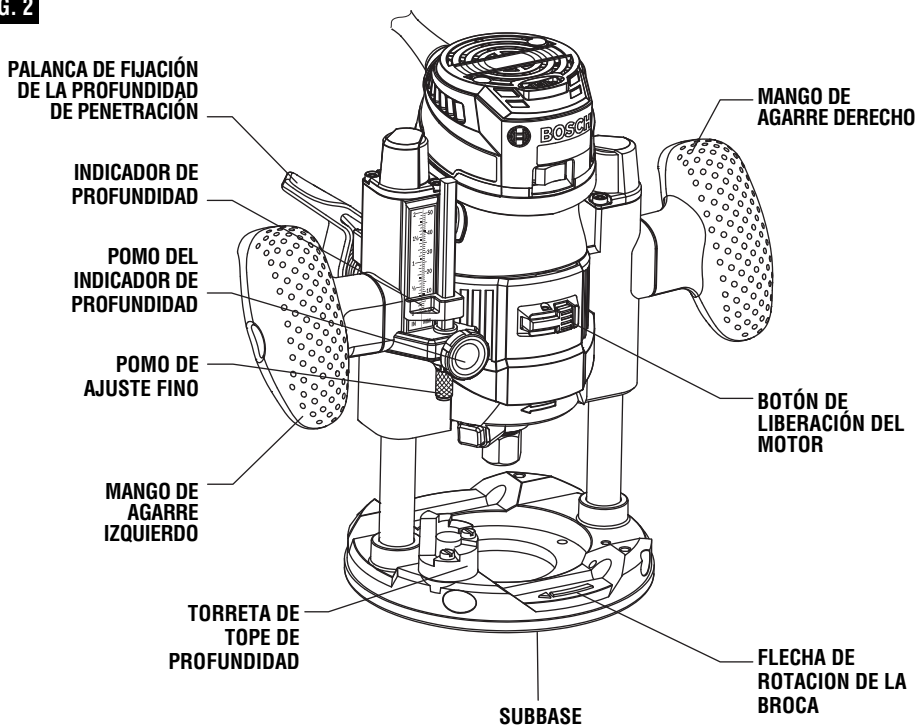
**NOTA:** Para obtener las especificaciones de la herramienta, consulte la placa del fabricante colocada en la herramienta.

## Descripción funcional y especificaciones

**⚠ ADVERTENCIA** Desconecte el enchufe de la fuente de energía antes de realizar cualquier ensamblaje o ajuste, o cambiar accesorios. Estas medidas de seguridad preventivas reducen el riesgo de arrancar la herramienta accidentalmente.

### Configuración de fresadora de palma con base de descenso vertical

**FIG. 2**





## Ensamblaje

### ► Selección de brocas

La fresadora con agarre de palma Bosch está diseñada para realizar una amplia variedad de aplicaciones de fresado que usan brocas con vástago de 1/4". Estas aplicaciones incluyen aplicaciones de elaboración de la madera, tales como conformado de bordes, ranurado y realización de letreros. Esta fresadora también es ideal para recortar materiales laminares, materiales fenólicos y otros materiales que hayan sido adheridos a un sustrato y que típicamente sobresalgan del sustrato aproximadamente 1/8 de pulgada (3 mm).

Hay disponible como accesorios un amplio surtido de brocas de fresadora con distintos perfiles. Utilice un cuerpo de broca de 1/2 pulgada siempre que sea posible, y use solamente brocas de buena calidad.

**⚠ ADVERTENCIA** **Utilice únicamente brocas de fresadora que tengan diámetros de vástago que coincidan con el portaherramienta instalado.**

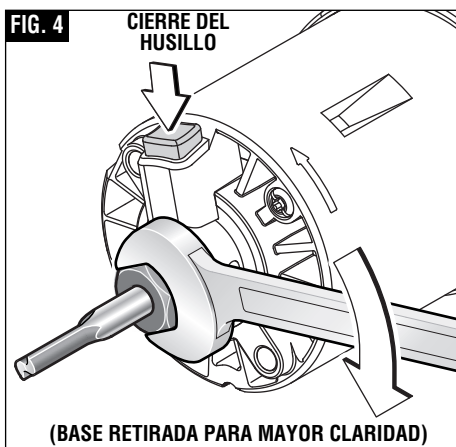
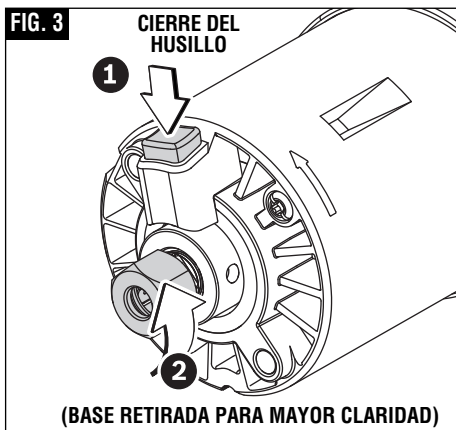
La utilización de una broca de fresadora que tenga un vástago más pequeño podría hacer que la broca se suelte durante su utilización y se convierta en un proyectil.

**⚠ ADVERTENCIA** **No utilice nunca brocas de fresadora a velocidades que sean más altas que su velocidad nominal máxima.** Las brocas de fresadora que giren a una velocidad mayor que su velocidad nominal se pueden romper y salir despedidas.

**⚠ ADVERTENCIA** **Para evitar lesiones personales, saque siempre el enchufe de la fuente de energía antes de quitar o instalar brocas o accesorios.**

### ► Instalación de una broca de fresadora

1. Acueste la fresadora o el motor sobre uno de sus lados. La fresadora también se puede apoyar



"sobre su cabeza" para realizar cambios de broca.

2. Presione el cierre del husillo para evitar la rotación del mandril portaherramienta. **NOTA:** Es posible que sea necesario girar la tuerca del portaherramienta para acoplar el cierre del husillo (Fig. 3).
3. Seguidamente, use la llave de tuerca para portaherramienta para aflojar el conjunto de mandril portaherramienta en sentido contrario al de las agujas del reloj (visto desde la parte inferior de la fresadora).
4. Introduzca el cuerpo de la broca de fresadora en el conjunto del mandril portaherramienta tanto como se pueda y luego sáquelo parcialmente hasta que los

## Ensamblaje

cortadores estén aproximadamente a una distancia de 1/8 a 1/4 de pulgada de la cara de la tuerca del portaherramienta.

5. Con la broca de fresadora introducida y el cierre del husillo acoplado, utilice la llave de tuerca para portaherramienta para apretar firmemente el conjunto de mandril portaherramienta en el sentido de las agujas del reloj (visto desde la parte inferior de la fresadora) (Fig. 4).

Para asegurarse de que la broca de fresadora quede agarrada apropiadamente, así como para minimizar el descentramiento, el cuerpo de la broca de fresadora debe introducirse al menos 5/8 de pulgada.

**⚠ ADVERTENCIA** El diámetro del cortador debe ser al menos 1/4" más pequeño que la abertura para la broca y el cortador.

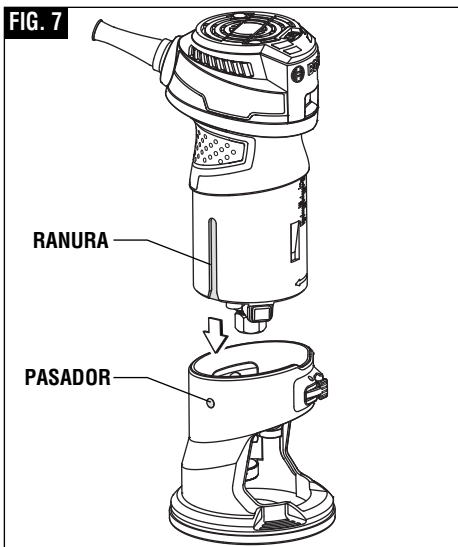
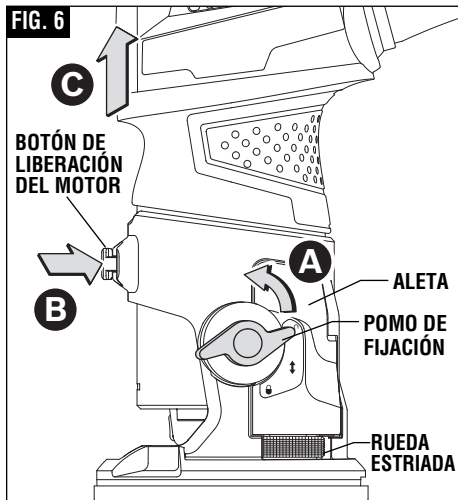
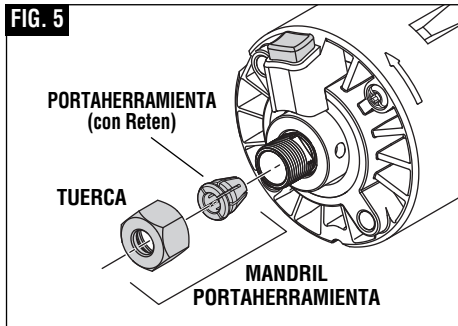
**⚠ PRECAUCIÓN** Para evitar daños a la herramienta, no apriete el portaherramienta si no tiene colocada una broca.

**NOTA:** El cuerpo de la broca y el mandril deben estar limpios y no tener polvo, madera, residuos ni grasa antes de realizar el montaje.

### ► Remoción de la broca de fresadora

1. Presione el cierre del husillo para impedir la rotación del mandril portaherramienta y gire el conjunto de mandril portaherramienta en sentido contrario al de las agujas del reloj.
2. Una vez que el conjunto de mandril portaherramienta esté suelto, siga girando dicho conjunto hasta que suelte el portaherramienta de su área cónica y entonces la broca de fresadora podrá quitarse.

**NOTA:** El mandril portaherramienta es de extracción automática; NO es necesario golpear el mandril portaherramienta para soltar la broca de fresadora.



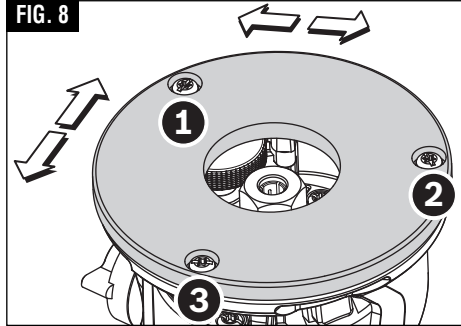
## Ensamblaje

### ► Cuidado del mandril portaherramienta

Con la broca de fresadora quitada, siga girando el mandril portaherramienta en sentido contrario al de las agujas del reloj hasta que se suelte del eje. Para asegurarse de lograr un agarre firme, limpie ocasionalmente el mandril portaherramienta con aire comprimido y limpie el área cónica del eje del conjunto del inducido con un pañuelo de papel o un cepillo fino. El mandril portaherramienta está constituido por dos piezas componentes que se acoplan a presión entre sí (Fig. 5); asegúrese de que el portaherramienta esté asentado apropiadamente en la tuerca del mandril portaherramienta y enrosque ligeramente el mandril portaherramienta de vuelta en el eje del inducido. Cambie inmediatamente los mandriles portaherramienta desgastados o dañados.

### ► Remoción del motor de la base fija PR101

1. Gire el pomo de fijación hasta la posición desbloqueada **(A)**, Fig. 6).
2. Jale el motor alejándolo de la base hasta que se detenga. (No presione sobre la aleta ubicada en la base mientras esté jalando el motor) **(C)**, Fig. 6).
3. Presione y mantenga presionado el botón de liberación del motor **(B)**, Fig. 6).
4. Jale el motor hasta sacarlo de la base **(C)**, Fig. 6).



### ► Instalación del motor en la base fija PR101

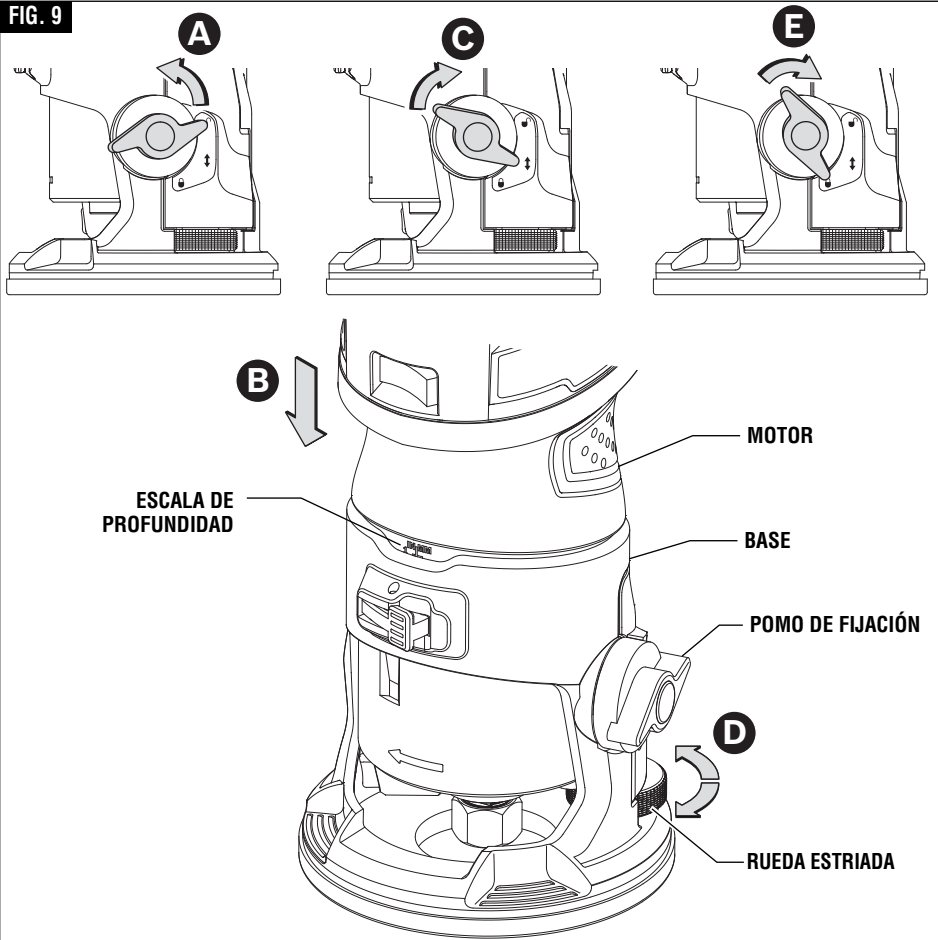
1. Abra el pomo de fijación hasta la posición desbloqueada **(A)**, Fig. 6).
2. Alinee la ranura ubicada en el motor con el pasador ubicado en la base (Fig. 7).

#### **⚠ ADVERTENCIA**

Para evitar lesiones por aplastamiento, mantenga todas las partes de las manos alejadas del reborde superior de la base y alejadas de la sección metálica del motor cuando empuje el motor hacia el interior de la base.

3. Empuje el motor hacia el interior de la base hasta que se haya alcanzado la posición deseada aproximada. No presione la aleta ubicada en la base mientras esté instalando el motor.
4. Gire el pomo de fijación hasta la posición bloqueada inferior **(E)**, Fig. 9). Asegúrese siempre de que el motor esté firmemente asentado en la base.

## Instrucciones de funcionamiento

**FIG. 9**


**⚠ ADVERTENCIA** Desconecte el enchufe de la fuente de energía antes de realizar cualquier ensamblaje o ajuste, o cambiar accesorios. Estas medidas de seguridad preventivas reducen el riesgo de arrancar la herramienta accidentalmente.

Las fresadoras Bosch están diseñadas para brindar velocidad, precisión y conveniencia en la realización de trabajo de armarios, fresado de estrías, realización de molduras convexas, corte de molduras cóncavas, redondeado de bordes, realización de colas de milano, etc. Estas fresadoras le permitirán realizar



trabajo de incrustación, bordes decorativos y muchos tipos de fresado especial.

### ► Ajuste de la profundidad de corte

Ajuste la profundidad de corte solamente cuando el motor esté apagado.

1. Instale la broca de fresadora deseada.
2. Coloque la fresadora sobre la pieza de trabajo.
3. Gire el pomo de fijación hasta la posición desbloqueada superior (A, Fig. 9).

## Instrucciones de funcionamiento

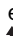
4. Baje lentamente el motor hasta que la broca de fresadora toque la pieza de trabajo (**B**, Fig. 9)
5. Anote la lectura de la escala (encima del botón de liberación del motor) y sume la profundidad de corte deseada a este valor para determinar el valor objetivo de la escala.
6. Baje el motor hasta que se alcance el valor objetivo de la escala.
7. Gire el pomo de fijación hasta el símbolo de la posición central  para realizar un ajuste fino (**C**, Fig. 9). Asegúrese siempre de que el motor esté firmemente asentado en la base.
8. Compruebe la profundidad de corte y haga un ajuste fino si es necesario (**D**, Fig. 9). Consulte la sección AJUSTE FINO DE PROFUNDIDAD, que se encuentra más adelante, para obtener detalles.
9. Gire el pomo de fijación hasta la posición bloqueada inferior  (**E**, Fig. 9). Asegúrese siempre de que el motor esté firmemente asentado en la base.

**Nota:** Puede que la profundidad del motor y de la broca cambie muy ligeramente al girar el pomo de fijación hasta la posición bloqueada.


10. Haga un corte de prueba para verificar si la fresadora está ajustada para realizar el corte tal como se desea.

### ▼ AJUSTE DE PROFUNDIDAD FINO

Ajuste la profundidad de corte solamente cuando el motor esté apagado.

1. Gire el pomo de fijación hasta el símbolo de la posición central  para realizar un ajuste fino (**C**, Fig. 9).
2. Ajuste la profundidad de corte deseada con la rueda estriada ubicada en la parte trasera de la base (**D**, Fig. 9). Rote la rueda estriada en el sentido de las agujas del reloj para aumentar la profundidad de fresado, y en

sentido contrario al de las agujas del reloj para reducir la profundidad de corte. Cada rotación completa del dial es igual a 1,25 mm (aproximadamente 3/64 de pulgada).

3. Gire el pomo de fijación hasta la posición bloqueada inferior  (**E**, Fig. 9). Asegúrese siempre de que el motor esté firmemente asentado en la base.
4. Compruebe la profundidad de corte y haga un ajuste fino adicional si es necesario.

**Nota:** Puede que la profundidad del motor y de la broca cambie muy ligeramente al girar el pomo de fijación hasta la posición bloqueada.

5. Haga un corte de prueba para verificar si la fresadora está ajustada para realizar el corte según se desee.

### ▼ CORTES PROFUNDOS

Para realizar cortes más profundos, haga varios cortes progresivamente más profundos comenzando a una profundidad y luego haga varias pasadas subsiguientes, aumentando la profundidad de corte con cada pasada.

Para estar seguro de que los ajustes de profundidad son los deseados, es posible que quiera hacer cortes de prueba en material de desecho antes de comenzar el trabajo.

### ► Interruptor oscilante de encendido y apagado

La herramienta puede encenderse o apagarse utilizando el interruptor oscilante ubicado en la caja del motor. Un lado del interruptor está marcado con la letra "I", que representa encendido, y el otro lado del interruptor está marcado con la letra "O", que representa apagado.

**PARA ENCENDER LA HERRAMIENTA:** Empuje el lado del interruptor marcado con la letra "I".

**PARA APAGAR LA HERRAMIENTA:** Empuje el lado del interruptor que está marcado con la letra "O".

## Instrucciones de funcionamiento

### ▼ DISPOSITIVO DE ARRANQUE SUAVE

El control electrónico de retroacción minimiza la torsión debida al par motor habitual en las fresadoras, al limitar la velocidad a la que el motor arranca.

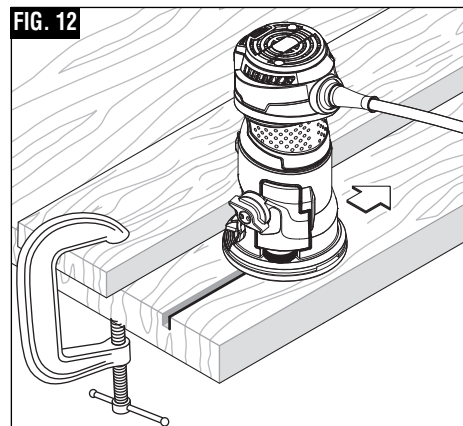
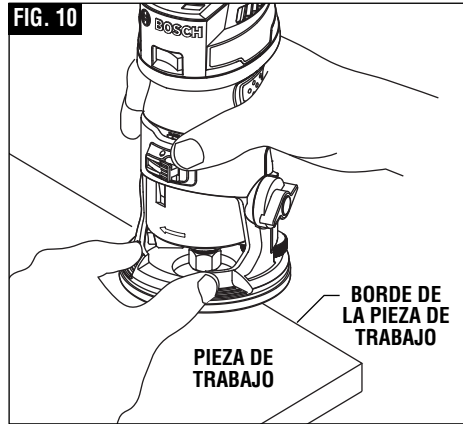
### ▼ CONTROL ELECTRONICO DE VELOCIDAD VARIABLE

El dispositivo de control electrónico de velocidad permite que la velocidad del motor se haga corresponder con el tamaño del cortador y la dureza del material a fin de proporcionar un acabado mejor, prolongar la vida de la broca y producir un rendimiento mayor. Los cambios de velocidad se logran girando el dial de control hacia la Derecha para aumentar la velocidad y hacia la Izquierda para reducirla, según se indica en la caja protectora (Fig. 1). La velocidad se puede cambiar mientras la herramienta está encendida. Los números de referencia del dial facilitan el cambio de posición del control a la velocidad deseada.

El cuadro de velocidades indica la relación entre las posiciones y la aplicación. Las posiciones exactas son determinadas por la experiencia y preferencia del operador. El fabricante de la broca también puede tener una recomendación de velocidades.

**⚠ ADVERTENCIA** No utilice nunca brocas de fresadora a velocidades que sean más altas que su velocidad nominal máxima. Las brocas de fresadora que giren a una velocidad mayor que su velocidad nominal se pueden romper y salir despedidas.

POSICIÓN DEL DIAL	RPM	APLICACIÓN
1	16000	Brocas y cortadores de diámetro más grande
2	18000	
3	20000	
4	22500	Maderas blandas, plásticos, materiales laminares y brocas y cortadores de diámetro más pequeño
5	27500	
6	35000	



### ▼ CIRCUITERÍA CONSTANT RESPONSE™

La circuitería de respuesta constante Constant Response™ de la fresadora vigila y ajusta la potencia para mantener las RPM deseadas con el fin de lograr un rendimiento y un control uniformes.

## Instrucciones de funcionamiento

### ► Avance de la fresadora

Además del área de agarre de palma principal ubicada en la parte trasera de la carcasa del motor y la base, la base tiene bolsillos de soporte con los dedos exclusivos de Bosch para proporcionar estabilidad adicional a la fresadora. Los bolsillos cuentan con protectores de los dedos para proporcionar una barrera entre los bolsillos de soporte con los dedos y el área de la broca (Fig. 10).

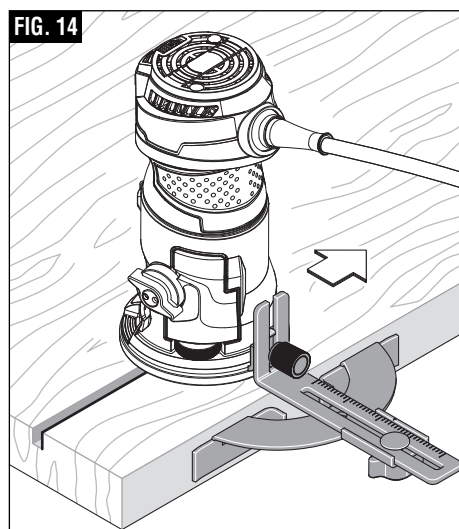
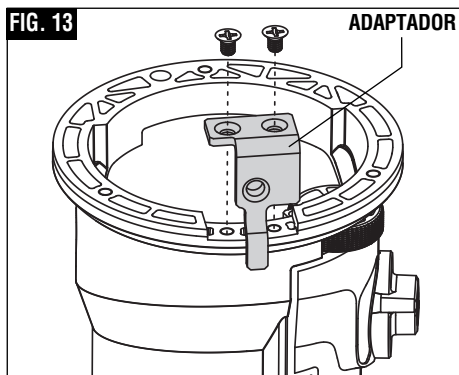
**⚠ ADVERTENCIA** Cuando utilice los bolsillos de soporte con los dedos, coloque siempre ambos bolsillos sobre la pieza de trabajo y sostenga siempre la fresadora de manera que le permita a usted ver los dedos índice y pulgar.

Según se ve desde la parte de arriba de la fresadora, la broca gira en el sentido de las agujas del reloj y los bordes de corte de la broca están posicionados para realizar el mejor corte posible en la pieza de trabajo. Por lo tanto, el corte más eficaz se realiza haciendo avanzar la fresadora de manera que la broca gire hacia la pieza de trabajo, no alejándose de ésta. En la Figura 11 se muestra el avance apropiado para varios cortes. La velocidad de avance depende de la dureza del material y del tamaño del corte. Para algunos materiales, es mejor hacer varios cortes cada vez más profundos.

Si es difícil controlar la fresadora o si la fresadora se calienta, funciona muy lentamente o deja un corte imperfecto, considere estas causas:

1. Sentido de avance incorrecto: difícil de controlar.
2. Avance demasiado rápido: sobrecarga el motor.
3. Broca desafilada: sobrecarga el motor.
4. El corte es demasiado grande para una pasada: sobrecarga el motor.
5. Avance demasiado lento: deja quemaduras por fricción en la pieza de trabajo.

Haga avanzar suave y firmemente la



fresadora (no la fuerce). Pronto aprenderá el sonido y la sensación de la fresadora cuando está funcionando mejor.

Sostenga siempre la fresadora de manera que esté separada de la pieza de trabajo cuando accione el interruptor para apagarla o encenderla. Ponga la fresadora en contacto con la pieza de trabajo después de que la herramienta haya alcanzado su velocidad plena y retírela de la pieza de trabajo antes de apagarla accionando el interruptor. Al utilizar la fresadora de esta manera, se prolongará la duración del interruptor y del motor y se aumentará considerablemente la



## Instrucciones de funcionamiento

calidad del trabajo que se realiza.

### ► Guía de borde PR102

La guía de borde es un accesorio opcional que guiará la fresadora paralela a un borde recto (Fig. 14).

La guía de borde se suministra en dos partes, que están sujetas una a otra con un perno, una tuerca de mariposa y una arandela.

### ▼ INSTALACION DE LA GUIA DE BORDE

1. Retire la subbase desenroscando los tres tornillos.
2. Posicione el adaptador en la holgura de la base.
3. Sujete firmemente el adaptador utilizando los dos tornillos Philips (Fig. 13).
4. Reinstale la subbase.

**NOTA:** Consulte la sección "Comprobación de la ubicación de la subbase" sobre cómo centrar la subbase.

5. Sujete la guía de borde al adaptador utilizando el tornillo ranurado con dos arandelas (Fig. 14).

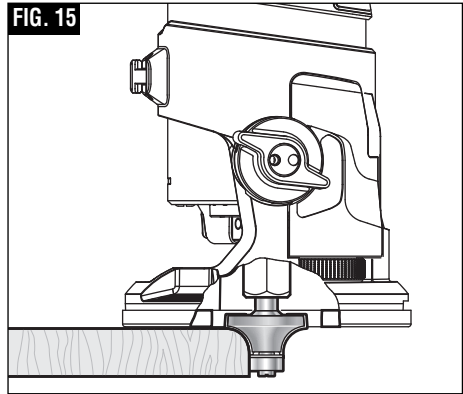
La guía cuenta con una escala para posicionar con precisión la guía de borde en relación con la broca. Con la guía instalada y ajustada se deberá hacer avanzar la fresadora normalmente, manteniendo la guía en contacto con el borde de la pieza de trabajo en todo momento.

La guía de borde también se puede posicionar directamente debajo de la base de la fresadora para realizar operaciones en las que se necesite un corte cerca del borde de la pieza de trabajo o en dicho borde, como por ejemplo al redondear tablas de cubierta.

### ▼ UTILIZACION DE BROCAS AUTOPILOTADAS

Las brocas autopilotadas tienen una punta redonda o rodamiento de bola integral que se desplaza apoyado sobre la superficie de trabajo por encima o por debajo de los

FIG. 15



cortadores para controlar la profundidad de corte horizontal (Fig. 15). Al utilizar estas brocas, no se requiere la guía de rodillo ni la guía recta. Al guiar el piloto por una superficie de material laminar, utilice cera u otro lubricante y no ejerza una presión excesiva si no el extremo pilotado puede estropear la pieza de trabajo. Los pilotos de rodamientos se deben mantener limpios y libres de adhesivo u otros residuos. Los rodamientos de las brocas de fresadora están sellados y lubricados permanentemente y se deben cambiar cuando dejen de girar libremente para evitar dañar la superficie de trabajo.

### ► Subbase redonda PR110 y uso de los casquillos de guía de plantilla con la base fija PR101

(Disponibles como accesorios opcionales)

Hay subbases redondas grandes opcionales disponibles por separado que permiten utilizar diversos casquillos de guía de plantilla con las fresadoras de palma.

Los casquillos de guía de plantilla se utilizan para guiar la fresadora con el fin de realizar repeticiones uniformes utilizando diversas plantillas (conocidas también como patrones y posicionadores). Los casquillos de guía de plantilla se utilizan para guiar la fresadora con el fin de realizar



## Instrucciones de funcionamiento

repetidamente aberturas e incrustaciones uniformes utilizando diversas plantillas (conocidas también como patrones y posicionadores). Las plantillas para las aplicaciones de fresado estándar están disponibles comercialmente y las plantillas para las aplicaciones especiales son elaboradas típicamente por los usuarios para sus necesidades específicas.

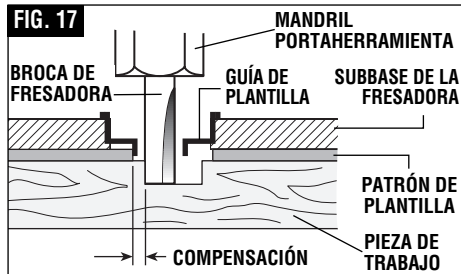
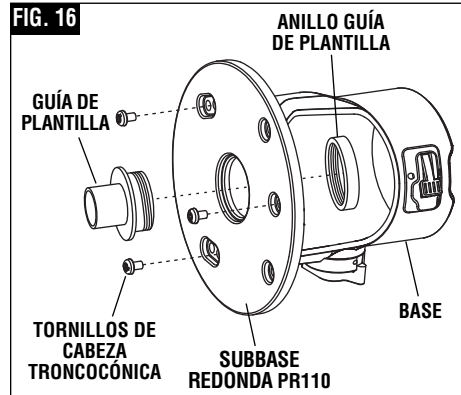
La subbase redonda PR110 acepta los adaptadores de guía de plantilla roscada.

### ▼ INSTALACION DE LA SUBBASE REDONDA DE LA GUIA DE PLANTILLA ROSCADA PR110 (FIG. 16)

1. Quite la subbase normal.
2. Instale flojamente la subbase redonda utilizando los tornillos de cabeza troncocónica que vienen con ese accesorio.
3. Instale la guía de plantilla roscada poniendo la guía de plantilla a través de la parte inferior e instalando el anillo desde la parte de arriba.
4. Centre la guía de plantilla alrededor de la broca. (Se puede usar el dispositivo de centrado Bosch RA1150 opcional para asegurarse de que la guía de plantilla esté centrada adecuadamente.)
5. Apriete los tornillos de cabeza troncocónica para sujetar la guía de plantilla y la subbase en la posición adecuada.

### ▼ CREACION DE PLANTILLAS

Se pueden hacer patrones de plantilla utilizando madera contrachapada,



tablero de madera prensada, metal e incluso plástico. El diseño se puede cortar con una fresadora, una sierra caladora u otra herramienta de corte adecuada. Recuerde que el patrón se tendrá que hacer de modo que se compense la distancia entre la broca de fresadora y la guía de plantilla (la "excentricidad"), ya que la pieza de trabajo final diferirá en tamaño del patrón de plantilla en esa cantidad, debido a la posición de la broca (Fig. 17).

## Instrucciones de funcionamiento

### ► Base de descenso vertical PR111

(incluida con el modelo GKF125CEPK y vendida por separado)

#### Para instalar el motor en la base de descenso vertical:

1. Suelte la palanca de fijación de la base (Fig. 18).
2. Empuje el motor hacia el interior de la base tanto como se pueda.
3. Fije la palanca de fijación de la base.  
Si se desea una fuerza de sujeción adicional: utilizando una llave de tuerca de 8 mm, gire la tuerca de fijación en el sentido de las agujas de reloj LIGERAMENTE (1/8 de vuelta o menos) y luego pruebe la sujeción. No apriete excesivamente la tuerca.

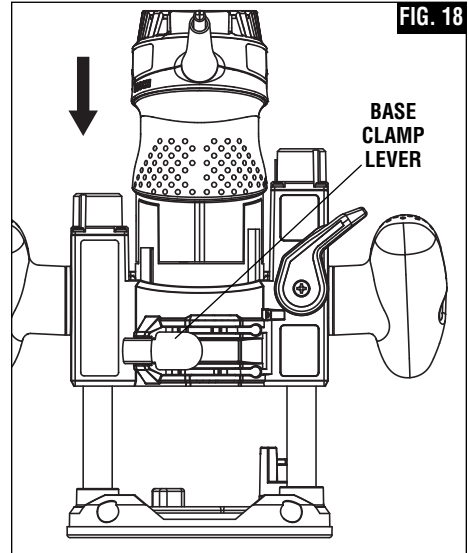
#### Para retirar el motor de la base de descenso vertical:

1. Suelte la palanca de fijación de la base.
2. Presione y mantenga presionado el botón de liberación del motor.
3. Jale el motor hacia arriba hasta sacarlo de la base.

### ▼ AJUSTE DE PROFUNDIDAD

El dispositivo de penetración simplifica los ajustes de profundidad y permite que la broca de corte entre de forma fácil y precisa en la pieza de trabajo.

1. Para bajar la broca, empuje hacia la izquierda la palanca de fijación de la profundidad de penetración, ejerza presión hacia abajo hasta que alcance la profundidad deseada y reduzca la presión sobre la palanca para fijarla (Fig. 19). La palanca de fijación de la profundidad de penetración está accionada por resorte y regresa automáticamente a la posición fija.
2. Para subir la fresadora, empuje hacia la izquierda la palanca de fijación de la profundidad de penetración, reduzca la presión sobre la fresadora y ésta retraerá automáticamente la broca de la pieza de trabajo. Es aconsejable retraer la broca siempre que ésta

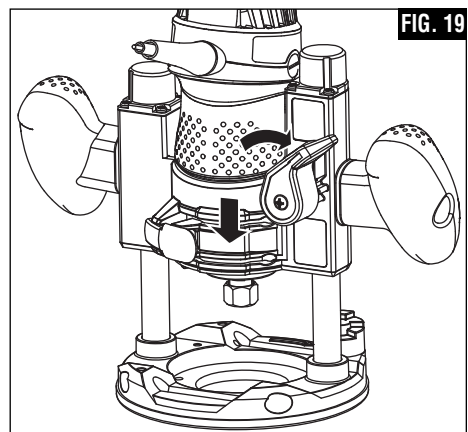


no esté acoplada en la pieza de trabajo.

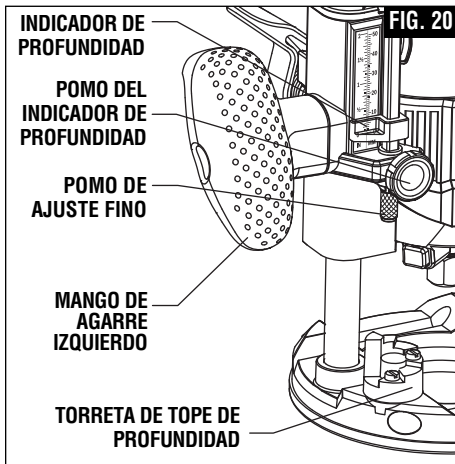
### ▼ VARILLA DE PROFUNDIDAD Y TORRETA DE PROFUNDIDAD

La varilla de profundidad y la torreta de tope de profundidad se utilizan para controlar la profundidad de corte de la manera siguiente:

1. Con la broca instalada, baje suavemente el motor hasta que la punta de la broca de fresadora toque ligeramente la superficie nivelada sobre la que la fresadora está apoyada. Ésta es la posición



## Instrucciones de funcionamiento



"cero", desde la cual pueden hacerse de manera precisa más ajustes de profundidad.

2. Gire la torreta de tope de profundidad hasta que el escalón más bajo esté alineado con la varilla de profundidad. Afloje el pomo del indicador de profundidad y baje la varilla de profundidad hasta que entre en contacto con el escalón más bajo de la torreta. Deslice el indicador de profundidad hasta que la línea roja indique cero en la escala de profundidad, indicando el punto en el que la broca justo entra en contacto con la pieza de trabajo (Fig. 20).
3. Deslice hacia arriba la varilla de profundidad hasta que la línea roja del indicador de profundidad alcance la profundidad de corte deseada, y fije la varilla en esa posición apretando firmemente el pomo del indicador de profundidad.
4. Una vez hecho esto, la profundidad de corte deseada puede lograrse haciendo bajar la fresadora hasta que la varilla de profundidad entre en contacto con el tope seleccionado en la torreta.

### ▼ CONFIGURACIÓN ALTERNATIVA PARA LA VARILLA DE PROFUNDIDAD Y LA TORRETA

1. Una alternativa es colocar un posicionador de la profundidad de

fresado deseada (tal como una bisagra que necesite que se haga una mortaja) en el escalón inferior de la torreta.

2. Luego, baje la varilla de profundidad hasta que entre en contacto con el posicionador.
3. Sujete firmemente la varilla en la posición correcta apretando firmemente el pomo del indicador de profundidad.
4. Por último, retire el posicionador.

### ▼ CORTES PROFUNDOS

Para realizar cortes más profundos, haga varios cortes progresivamente más profundos comenzando con el escalón más alto de la torreta de profundidad y después de cada corte gire la torreta de profundidad a escalones progresivamente más bajos según se desee, hasta que se alcance la profundidad final (el escalón más bajo o plano). Los escalones progresan en incrementos de 1/8 de pulgada.

Para asegurarse de que los ajustes de profundidad sean los deseados, es posible que quiera hacer cortes de prueba en material de desecho antes de comenzar el trabajo.

### ▼ AJUSTE FINO

La base de descenso vertical PR111 está equipada con un sistema de ajuste fino que le permite microajustar la profundidad de descenso vertical de la broca de fresadora para lograr una precisión superior de fresado.

Cada revolución completa del tope de ajuste fino ajusta la profundidad de descenso vertical 1/32 de pulgada y cada una de las cuatro marcas de indicador que están en el pomo representa 1/128 de pulgada.

Para utilizar el pomo de ajuste fino, una vez que se hayan ajustado la varilla de profundidad y la torreta de profundidad, compruebe el ajuste de profundidad final y realice el ajuste fino de la manera siguiente:

Para microaumentar la profundidad de descenso vertical, suba el tope de ajuste fino girándolo en sentido

## Instrucciones de funcionamiento

contrario al de las agujas del reloj la cantidad deseada.

Para microreducir la profundidad de descenso vertical, baje el tope de ajuste fino girándolo en el sentido de las agujas del reloj la cantidad deseada.

### Notas:

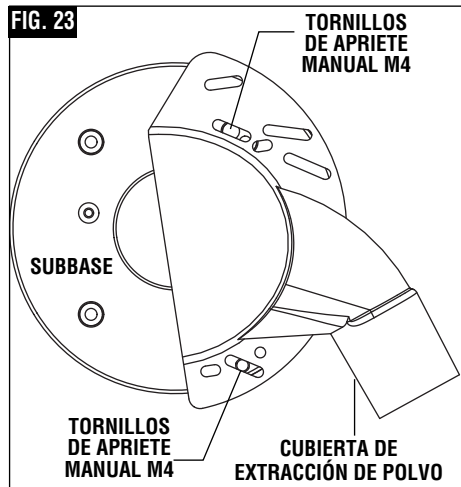
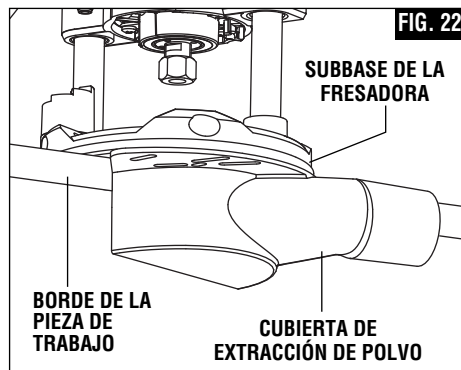
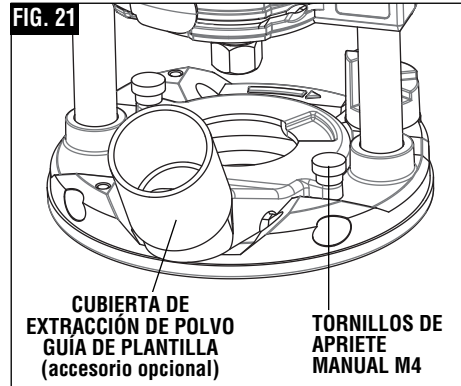
- Cuando microajuste la profundidad de descenso vertical, es más conveniente mover el tope de ajuste fino hacia arriba que hacia abajo. Antes de ajustar la varilla de profundidad y la torreta de profundidad, asegúrese de que el tope de ajuste fino se haya girado varias revoluciones hacia abajo desde su posición superior para que pueda ajustarse hacia arriba.
- El tope de ajuste fino no puede utilizarse para reducir la profundidad de descenso vertical cuando la varilla de profundidad ya esté tocando la torreta de tope de profundidad. La fresadora debe subirse antes de que pueda realizarse dicho ajuste.

La fresadora se debe elevar antes de que se pueda realizar dicho ajuste.

### ► Utilización de la fresadora en la base de descenso vertical

Agarre ambos mangos de agarre de la base de descenso vertical mientras esté realizando la operación (vea la Fig. 2).

1. Encienda la fresadora
2. Deje que la broca de fresadora alcance la velocidad máxima tal y como esté establecida en el dial antes de sumergir la cabeza de corte en la pieza de trabajo.
3. Presione hacia abajo sobre la palanca de fijación de la profundidad de penetración para permitir la inmersión.
4. Sumerja la fresadora bajando hasta que la broca llegue a la profundidad establecida.
5. Bloquee la palanca de fijación de la profundidad de penetración.
6. Realice la operación de fresado siguiendo las instrucciones indicadas en la sección “Avance de



la fresadora” que comienza en la página 61 de este manual.

7. Desbloquee la palanca de fijación de la profundidad de penetración. Esto permitirá que la broca de

## Instrucciones de funcionamiento

fresadora se desacople de la pieza de trabajo.

8. Apague la fresadora.

### ► Recolección de polvo de la fresadora para la base de descenso vertical PR012

Esta cubierta de extracción de polvo está diseñada para utilizarse con la base de descenso vertical (PR111) cuando el fresado se realiza en el centro de la pieza de trabajo, como por ejemplo al crear ranuras o fresar patrones para incrustaciones. Si usted tiene un sistema de aspiración de taller, puede acoplar la cubierta de extracción de polvo para mejorar la visibilidad, la precisión y la utilidad, especialmente en el fresado a pulso.

Para acoplar la cubierta, posicóñela de la manera que se muestra en la ilustración y sujete firmemente el adaptador a la base con los tornillos de apriete manual suministrados (Fig. 21).

La cubierta de extracción de polvo también puede instalarse con la salida para manguera orientada hacia la parte delantera de la herramienta.

### ► Recolección de polvo al conformar bordes RA1175

**⚠ ADVERTENCIA** No ponga las manos en el

área de la broca mientras la fresadora esté encendida o enchufada. Para evitar enredar las mangueras, no utilice esta cubierta de extracción de polvo al mismo tiempo que otra cubierta de extracción de polvo.

Esta cubierta de extracción de polvo (accesorio opcional) se utiliza para la recolección de polvo al conformar bordes (Fig. 22).

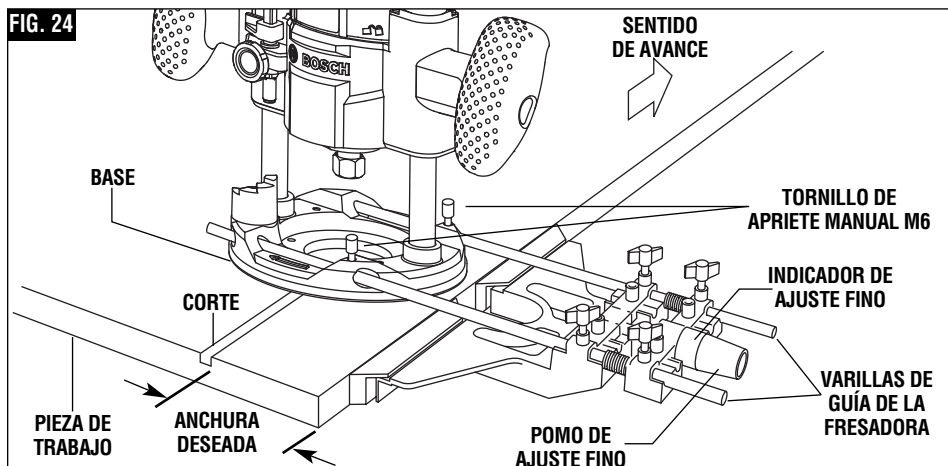
### ▼ COLOCACIÓN DE LA CUBIERTA DE EXTRACCIÓN DE POLVO

Usted puede colocar la cubierta para conformado de bordes en varios lugares de acuerdo con sus necesidades o preferencias. La cubierta para polvo se sujeta a la base de descenso vertical utilizando dos tornillos de apriete manual M4. Se proveen dos agujeros auxiliares en la base de descenso vertical para realizar la instalación. Instale la cubierta de extracción de polvo —sobre la subbase de la fresadora— utilizando los tornillos suministrados con dicha cubierta. Apriete firmemente los tornillos (Figuras 22 y 23).

### ► GUÍA DE FRESADORA DE LUJO

(No incluida, disponible como accesorio)

La guía de fresadora de lujo Bosch es



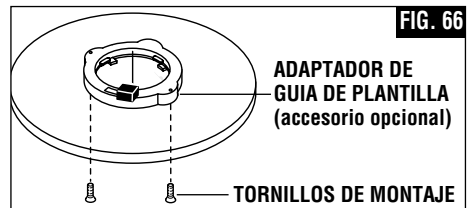
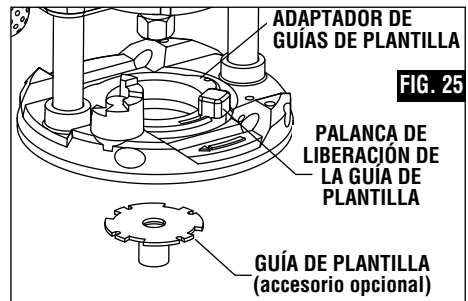
## Instrucciones de funcionamiento

un accesorio opcional que guiará la fresadora paralela a un borde recto o le permitirá a usted crear círculos y arcos.

La guía de fresadora de lujo se suministra con dos varillas y tornillos para sujetar dicha guía (Fig. 24). Además, cuenta con un pomo y un indicador de ajuste fino para posicionar con precisión la guía de borde en relación con la broca. Con la guía instalada y ajustada, la fresadora debe hacerse avanzar normalmente, manteniendo la guía en contacto con el borde de la pieza de trabajo en todo momento. La guía de fresadora de lujo también puede posicionarse directamente debajo de la base de la fresadora para realizar operaciones donde se necesite un corte cerca del borde de la pieza de trabajo o en dicho borde.

La guía de fresadora de lujo incluye una cubierta de extracción de polvo y el adaptador de manguera de aspiración VAC002.

Para obtener instrucciones completas de instalación y funcionamiento, sírvase consultar las instrucciones que se incluyen con este accesorio.



agarra firmemente las guías con un anillo accionado por resorte. A diferencia de las guías de plantilla roscadas convencionales, no hay anillo roscado que se pueda aflojar durante la operación de fresado (Fig. 25).

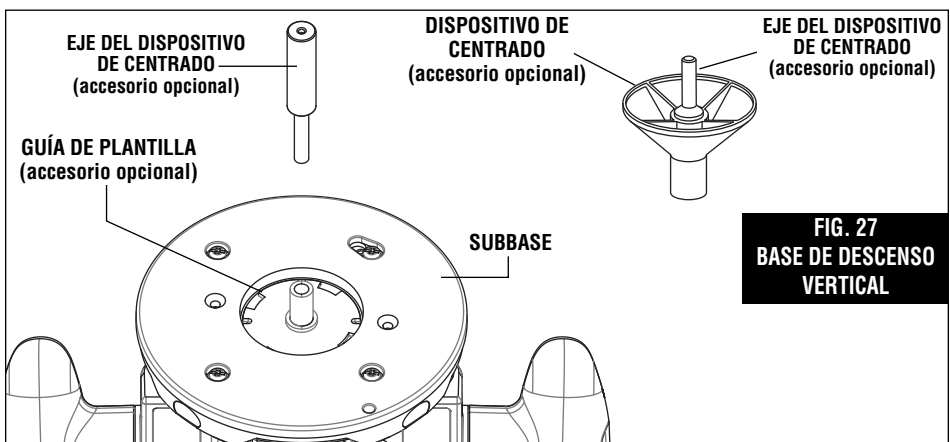
### ▼ INSTALACIÓN DEL ADAPTADOR DE GUÍAS DE PLANTILLA

(No incluida, disponible como accesorio)

Coloque el adaptador de guías de plantilla sobre los agujeros del centro de la subbase y alinee los dos agujeros roscados de la parte inferior del adaptador con los agujeros

### ► GUÍAS DE PLANTILLA

El base de descenso vertical también se puede utilizar con el sistema de guías de plantilla de cambio rápido opcional exclusivo de Bosch, el cual



## Instrucciones de funcionamiento

contraavellanados de la subbase. Sujete el adaptador con los tornillos suministrados. Tenga en cuenta que el adaptador es reversible, así que la palanca de liberación puede posicionarse como se desee (Fig. 26).

### ▼ CENTRADO DE LA SUBBASE O LAS GUÍAS DE PLANTILLA

La fresadora cuenta con el “Diseño de centrado de precisión” Bosch. Su subbase se centra con precisión en la fábrica. Esto posiciona la broca en el centro de la subbase y las guías de plantilla opcionales.

El centrado de precisión le permite a usted utilizar el borde de la subbase o las guías de plantilla para seguir de cerca posicionadores tales como guías rectas, plantillas y dispositivos de cola de milano sin preocuparse por desviarse de la línea de corte deseada por cualquier motivo, inclusive la orientación de las agarraderas de la fresadora en relación con el posicionador.

Para recentrar con la mayor precisión la subbase o las guías de plantilla, instale la subbase utilizando el dispositivo de centrado Bosch RA1151 opcional. Siga los pasos 1-8 (Fig. 27).

1. Si se va a centrar una guía de plantilla, instale el adaptador de guías de plantilla y la guía de plantilla (aditamentos opcionales) tal y como se describe en otra parte de este manual.
2. Afloje los cuatro tornillos que

sujetan la subbase a la base.

3. Prepare el dispositivo de centrado:
  - Utilice el extremo estrecho del eje de acero.
  - Cuando centre la subbase o una guía de plantilla que tenga una abertura de más de 1/2 pulgada, deslice el manguito de plástico ancho sobre el eje de acero.
4. Deslice el cono centrador a través de la subbase o la guía de plantilla y al interior del portaherramienta. Apriete la tuerca del portaherramienta con los dedos para poner un ligero agarre en el cono centrador.
5. Presione ligeramente el cono centrador en interior de la subbase o de la guía de plantilla para realizar el centrado.
6. Apriete los tornillos de cabeza troncocónica. Retire el cono centrador.
7. El centrado de precisión de la subbase o de la guía de plantilla ha quedado completado.

**CONO CENTRADOR:** Se utiliza cuando se centra la propia subbase o guías de plantilla anchas.

### ▼ TAMAÑO MÁXIMO DE BROCA/CORTADOR PARA LAS GUÍAS DE PLANTILLA

Cuando utilice una guía de plantilla, use únicamente una broca de fresadora con cortadores que midan 1/16 de pulgada menos que el

Guía de plantilla Bosch	Profundidad del casquillo	Diámetro externo	Diámetro interno	Diámetro máximo de la broca/cortador
	A	B	B	
RA1101	3/16"	5/16"	1/4"	<b>3/16"</b>
RA1103	9/64"	5/16"	17/64"	<b>13/64"</b>
RA1105	9/64"	7/16"	3/8"	<b>5/16"</b>
RA1107	5/16"	7/16"	3/8"	<b>5/16"</b>
RA1109	7/16"	1/2"	13/32"	<b>11/32"</b>
RA1111	3/16"	5/8"	17/32"	<b>15/32"</b>
RA1113	1/2"	5/8"	17/32"	<b>15/32"</b>
RA1115	3/16"	3/4"	21/32"	<b>19/32"</b>
RA1117	31/64"	13/16"	5/8"	<b>9/16"</b>
RA1119	31/64"	1"	25/32"	<b>21/32"</b>
RA1121	7/16"	1-3/8"	1-19/64"	<b>1-15/64"</b>



## Instrucciones de funcionamiento

diámetro interno de la guía de plantilla, tal y como se indica en la tabla que aparece a continuación.

### ▼ USO CON GUÍAS DE PLANTILLA ROSCADAS

También se encuentra disponible como accesorio opcional un adaptador adicional, el RA1100, que permite el uso de guías de plantilla roscadas convencionales con el sistema de liberación rápida Bosch.

### ► Conexión de una manguera de aspiradora / extractor de polvo

Los orificios para manguera de la PR012, RA1175 y RA1054 aceptarán las boquillas típicas de las mangueras de aspiradora de 35 mm, tales como la boquilla VX120 que se incluye con las mangueras Bosch Serie VH.

Para realizar la conexión a una manguera de 1-1/4 o 1-1/2 pulgadas, se pueden utilizar los adaptadores de manguera de aspiración Bosch VAC002 o VAC024 (ambos vendidos por separado).

Para realizar la conexión a una manguera de 2-1/2 pulgadas, se puede usar el Bosch VAC020 (vendido por separado).

### ► Aditamento para marcar por debajo PR006

(Disponible como accesorio opcional)  
El aditamento para marcar por debajo PR006 se utiliza para crear uniones con ajuste de precisión entre dos hojas de material laminado (Fig. 28), tales como construcciones de montantes y rieles y superficies muy grandes. Se acopla a la parte inferior de la base de descenso vertical PR111.

### ▼ INSTALACIÓN (FIG. 29)

1. Retire los tornillos traseros utilizados para sujetar la subbase sobre la base de descenso vertical PR111.
2. Sujete el lado de avance de entrada

FIG. 28

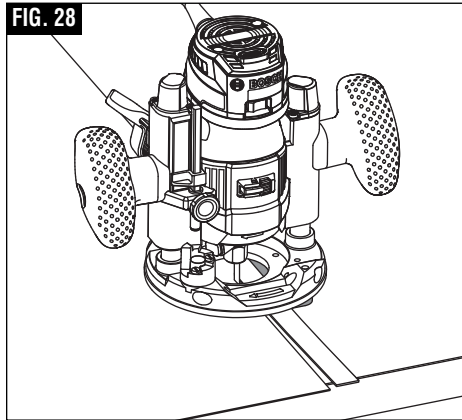


FIG. 29

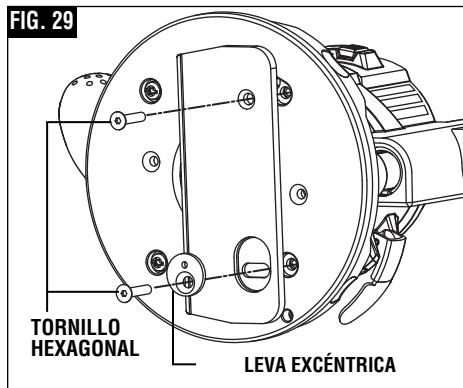
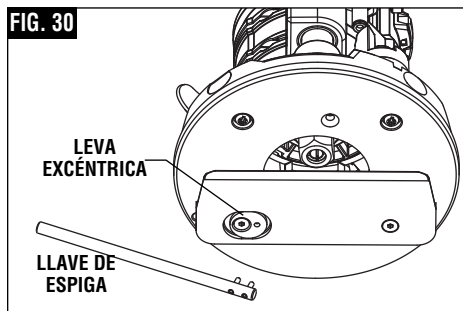


FIG. 30



del PR006 a la base de descenso vertical utilizando el tornillo hexagonal.

3. Inserte el ajustador excéntrico en el bolsillo ubicado en el lado de avance de salida del PR006.
4. Sujete el lado de avance de salida del PR006 a la base de descenso



## Instrucciones de funcionamiento

vertical utilizando el tornillo hexagonal.

### ▼ INSTALACION DE LA BROCA

- La broca recomendada para utilizarse con el aditamento para marcar por debajo es la Bosch 85213M con un diámetro de corte de 1/8".
- Se debe instalar de acuerdo con las instrucciones de la página 61.

### ▼ AJUSTE DE LA ALTURA DE LA BROCA

Después de instalar la broca, se debe ajustar la altura de la manera siguiente:

1. Baje la broca hasta que justo entre en el entrante que está maquinado en la placa de aluminio para marcar por debajo.
2. Una vez hecho esto, la herramienta estará lista para hacer un corte de prueba.

### ▼ AJUSTE DE DELANTE HACIA ATRAS

Si es necesario, la punta de corte se puede ajustar de delante hacia atrás de la manera siguiente (Fig. 30):

1. Afloje los dos tornillos que sujetan la placa de aluminio.
2. Use la llave de espiga; ajuste el ajustador excéntrico del modo siguiente:
  - Para realizar una unión más apretada, gire la leva excéntrica en el sentido de las agujas del reloj (según se ve desde debajo de la base)
  - Para realizar una unión más floja, gire la leva excéntrica en sentido contrario al de las agujas del reloj (según se ve desde debajo de la base)
3. Reapriete los tornillos.
4. Haga un corte de prueba.
5. Repita los pasos 1-4 según sea necesario.

### ▼ CREACION DE UNA UNION

1. Para crear una unión de precisión, asegúrese de que la pieza de guiado del material laminar tenga un borde limpio y recto, porque servirá como guía para el aditamento para marcar por debajo.
2. Se debe aplicar pegamento al contacto al material del núcleo del substrato y a la pieza de guiado del material laminar hasta 1" de su borde de guiado.
3. La pieza superpuesta de material laminar debe superponerse a la pieza de guiado aproximadamente 1/2". (La hoja superpuesta del material laminar pasará entonces sobre la placa de aluminio y será cortada en el punto apropiado por la broca de fresadora.)
4. Mantenga una presión firme sobre la herramienta para que el borde de guiado de la base permanezca en contacto con la pieza fija del material laminar durante toda la operación. Esto es especialmente importante al comienzo y al final de un corte.
5. También es necesario mantener el material laminar presionado hacia abajo de modo apretado cerca de la unión, para evitar que estas virutas caigan debajo del material laminar. Esto es especialmente importante en piezas de material más grandes. La subbase con mango lateral PR007 opcional incluye un orificio para cubierta de extracción de polvo que se conecta a una manguera de aspiración y ayuda a evitar que las virutas caigan debajo del material laminar.

## Mantenimiento

### ► Servicio

**⚠ ADVERTENCIA** El mantenimiento preventivo realizado por personal no autorizado puede dar lugar a la colocación incorrecta de cables y componentes internos que podría constituir un peligro serio.

Recomendamos que todo el servicio de las herramientas sea realizado por un Centro de servicio de fábrica Bosch o por una Estación de servicio Bosch autorizada.

### ▼ LUBRICACIÓN DE LAS HERRAMIENTAS

Su herramienta Bosch ha sido lubricada adecuadamente y está lista para la utilización. Se recomienda que las herramientas con engranajes se vuelvan a engrasar con un lubricante especial para engranajes en cada cambio de escobillas.

### ▼ ESCOBILLAS DE CARBÓN

Las escobillas y el conmutador de la herramienta han sido diseñados para muchas horas de servicio fiable. Para mantener un rendimiento óptimo del motor, recomendamos que cada dos a seis meses se examinen las escobillas. Sólo se deben usar escobillas de repuesto Bosch genuinas diseñadas específicamente para su herramienta.

### ▼ RODAMIENTOS

Los rodamientos que se vuelven ruidosos (debido a la pesada carga o al corte de materiales muy abrasivos) deben ser sustituidos inmediatamente para evitar el sobrecalentamiento o el fallo del motor.

### ► Limpieza

**⚠ ADVERTENCIA** Para evitar accidentes desconecte siempre la herramienta de la fuente de energía antes de la limpieza o de la realización de cualquier mantenimiento. La herramienta se puede limpiar más eficazmente con aire comprimido seco. **Use gafas de seguridad siempre que limpie herramientas con aire comprimido.**

Las aberturas de ventilación y las palancas de interruptor deben mantenerse limpias y libres de materias extrañas. No intente limpiar introduciendo objetos puntiagudos a través de las aberturas.

**⚠ PRECAUCION** Ciertos agentes de limpieza y disolventes dañan las piezas de plástico. Algunos de estos son: gasolina, tetracloruro de carbono, disolventes de limpieza clorados, amoníaco y detergentes domésticos que contienen amoníaco.

## Cordones de extensión

**⚠ ADVERTENCIA** Si es necesario un cordón de extensión, se debe usar un cordón con conductores de tamaño adecuado que sea capaz de transportar la corriente necesaria para la herramienta. Esto evitará caídas de tensión excesivas, pérdida de potencia o recalentamiento. Las herramientas conectadas a tierra deben usar cordones de extensión de 3 hilos que tengan enchufes de 3 terminales y receptáculos para 3 terminales.

**NOTA:** Cuanto más pequeño es el número de calibre, más grueso es el cordón.

### TAMAÑOS RECOMENDADOS DE CORDONES DE EXTENSION HERRAMIENTAS DE 120 V CORRIENTE ALTERNA

Capacidad nominal en amperes de la herramienta	Tamaño del cordón en A.W.G.				Tamaños del cable en mm <sup>2</sup>			
	Longitud del cordón en pies				Longitud del cordón en metros			
	25	50	100	150	15	30	60	120
3-6	18	16	16	14	0.75	0.75	1.5	2.5
6-8	18	16	14	12	0.75	1.0	2.5	4.0
8-10	18	16	14	12	0.75	1.0	2.5	4.0
10-12	16	16	14	12	1.0	2.5	4.0	-
12-16	14	12	-	-	-	-	-	-

## Accesorios y aditamentos

**⚠ ADVERTENCIA** Es posible que el uso de otros accesorios y aditamentos no especificados en este manual cree un peligro.

- PR101 - Base fija<sup>\*\*\*</sup>
- PR102 - Guía de borde <sup>\*\*</sup>
- PR110 - Subbase redonda para guía de plantilla roscada
- PR111 - Base de descenso vertical<sup>\*</sup>
- Brocas de fresadora
- Estuche<sup>\*\*</sup>
- Llave para la tuerca del portaherramienta de 17 mm<sup>\*\*\*</sup>
- RA1151 - Dispositivo de centrado
- Aditamento para marcar por debajo PR006 para base de descenso vertical
- Cubierta para polvo para base de descenso vertical PR012
- Cubierta para polvo para conformar bordes RA1175 para base de descenso vertical
- Guía de fresadora de lujo RA1054 para base de descenso vertical
- Mangueras de aspiración
- Adaptadores de manguera de aspiración

\* Incluida con el modelo GKF125CE

† Incluida con el modelo GKF125CEK

\* Incluida con el modelo GKF125CEPK

**LIMITED WARRANTY OF BOSCH PORTABLE AND BENCHTOP POWER TOOLS**

Robert Bosch Tool Corporation ("Seller") warrants to the original purchaser only, that all BOSCH portable and benchtop power tools will be free from defects in material or workmanship for a period of one year from date of purchase. SELLER'S SOLE OBLIGATION AND YOUR EXCLUSIVE REMEDY under this Limited Warranty and, to the extent permitted by law, any warranty or condition implied by law, shall be the repair or replacement of parts, without charge, which are defective in material or workmanship and which have not been misused, carelessly handled, or misrepaired by persons other than Seller or Authorized Service Station. To make a claim under this Limited Warranty, you must return the complete portable or benchtop power tool product, transportation prepaid, to any BOSCH Factory Service Center or Authorized Service Station. For Authorized BOSCH Power Tool Service Stations, please refer to your phone directory.

THIS LIMITED WARRANTY DOES NOT APPLY TO ACCESSORY ITEMS SUCH AS CIRCULAR SAW BLADES, DRILL BITS, ROUTER BITS, JIGSAW BLADES, SANDING BELTS, GRINDING WHEELS AND OTHER RELATED ITEMS.

ANY IMPLIED WARRANTIES SHALL BE LIMITED IN DURATION TO ONE YEAR FROM DATE OF PURCHASE. SOME STATES IN THE U.S., SOME CANADIAN PROVINCES DO NOT ALLOW LIMITATIONS ON HOW LONG AN IMPLIED WARRANTY LASTS, SO THE ABOVE LIMITATION MAY NOT APPLY TO YOU.

IN NO EVENT SHALL SELLER BE LIABLE FOR ANY INCIDENTAL OR CONSEQUENTIAL DAMAGES (INCLUDING BUT NOT LIMITED TO LIABILITY FOR LOSS OF PROFITS) ARISING FROM THE SALE OR USE OF THIS PRODUCT. SOME STATES IN THE U.S. AND SOME CANADIAN PROVINCES DO NOT ALLOW THE EXCLUSION OR LIMITATION OF INCIDENTAL OR CONSEQUENTIAL DAMAGES, SO THE ABOVE LIMITATION OR EXCLUSION MAY NOT APPLY TO YOU.

THIS LIMITED WARRANTY GIVES YOU SPECIFIC LEGAL RIGHTS, AND YOU MAY ALSO HAVE OTHER RIGHTS WHICH VARY FROM STATE TO STATE IN THE U.S., PROVINCE TO PROVINCE IN CANADA AND FROM COUNTRY TO COUNTRY.

THIS LIMITED WARRANTY APPLIES ONLY TO PORTABLE AND BENCHTOP ELECTRIC TOOLS SOLD WITHIN THE UNITED STATES OF AMERICA, CANADA AND THE COMMONWEALTH OF PUERTO RICO. FOR WARRANTY COVERAGE WITHIN OTHER COUNTRIES, CONTACT YOUR LOCAL BOSCH DEALER OR IMPORTER.

**GARANTIE LIMITÉE DES OUTILS ÉLECTRIQUES PORTATIFS ET D'ÉTABLI BOSCH**

Robert Bosch Tool Corporation (le « vendeur ») garantit à l'acheteur initial seulement que tous les outils électriques portatifs et d'établi BOSCH seront exempts de vices de matériaux ou d'exécution pendant une période d'un an depuis la date d'achat. LA SEULE OBLIGATION DU VENDEUR ET LE SEUL RECOURS DE L'ACHETEUR sous la présente garantie limitée, et en autant que la loi le permette sous toute garantie ou condition implicite qui en découlerait, sera l'obligation de remplacer ou réparer gratuitement les pièces défectueuses matériellement ou comme fabrication, pourvu que lesdites défectuosités ne soient pas attribuables à un usage abusif ou à quelque réparation bricolée par quelqu'un d'autre que le vendeur ou le personnel d'une station-service agréée. Pour présenter une réclamation en vertu de cette garantie limitée, vous devez renvoyer l'outil électrique portatif ou d'établi complet, port payé, à tout centre de service agréé ou centre de service usine. Veuillez consulter votre annuaire téléphonique pour les adresses.

LA PRÉSENTE GARANTIE NE S'APPLIQUE PAS AUX ACCESSOIRES TELS QUE LAMES DE SCIÉS CIRCULAIRES, MÊCHES DE PERCEUSES, FERS DE TOUPIES, LAMES DE SCIÉS SAUTEUSES, COURROIES DE POINÇAGE, MEULES ET AUTRES ARTICLES DU GENRE.

TOUTE GARANTIE IMPLICITE SERA LIMITÉE COMME DURÉE À UN AN À COMPTER DE LA DATE D'ACHAT. CERTAINS ÉTATS AMÉRICAINS, CERTAINES PROVINCES CANADIENNES N'ADMETTANT PAS LE PRINCIPE DE LA LIMITATION DE LA DURÉE DES GARANTIES IMPLICITES, IL EST POSSIBLE QUE LES LIMITATIONS CI-DESSUS NE S'APPLIQUENT PAS À VOTRE CAS.

EN AUCUN CAS LE VENDEUR NE SAURAIT ÊTRE TENU POUR RESPONSABLE DES INCIDENTS OU DOMMAGES INDIRECTS (INCLUANT, MAIS NE SE LIMITANT PAS AUX PERTES DE PROFITS) CONSÉCUTIFS À LA VENTE OU L'USAGE DE CE PRODUIT. CERTAINS ÉTATS AMÉRICAINS ET CERTAINES PROVINCES CANADIENNES N'ADMETTANT PAS LE PRINCIPE DE LA LIMITATION NI L'EXCLUSION DES DOMMAGES INDIRECTS ET CONSÉQUENTIELS, IL EST POSSIBLE QUE LES LIMITATIONS OU EXCLUSIONS CI-DESSUS NE S'APPLIQUENT PAS À VOTRE CAS.

LA PRÉSENTE GARANTIE VOUS ACCORDE DES DROITS BIEN DÉTERMINÉS, Y COMPRIS POSSIBLEMENT CERTAINS DROITS VARIABLES DANS LES DIFFÉRENTS ÉTATS AMÉRICAINS, PROVINCES CANADIENNE ET DE PAYS À PAYS.

CETTE GARANTIE LIMITÉE NE S'APPLIQUE QU'ÀUX OUTILS ÉLECTRIQUES PORTATIFS ET D'ÉTABLI VENDUS AUX ÉTATS-UNIS D'AMÉRIQUE, AU CANADA ET AU COMMONWEALTH DE PORTO RICO. POUR COUVERTURE DE GARANTIE DANS LES AUTRES PAYS, CONTACTEZ VOTRE IMPORTATEUR OU REVENDEUR BOSCH LOCAL.

**GARANTIA LIMITADA PARA HERRAMIENTAS MECANICAS PORTATILES Y PARA TABLERO DE BANCO BOSCH**

Robert Bosch Tool Corporation ("el Vendedor") garantiza, únicamente al comprador original, que todas las herramientas mecánicas portátiles y para tablero de banco BOSCH estarán libres de defectos de material o de fabricación durante un periodo de un año a partir de la fecha de compra. LA ÚNICA OBLIGACION DEL VENDEADOR Y EL RECURSO EXCLUSIVO QUE USTED TIENE bajo esta Garantía Limitada y, hasta donde la ley lo permita, bajo cualquier garantía o condición implícita por ley, consistirá en la reparación o sustitución sin costo de las piezas que presenten defectos de material o de fabricación y que no hayan sido utilizadas incorrectamente, manejadas descuidadamente o reparadas incorrectamente por personas que no sean el Vendedor o una Estación de servicio autorizada. Para efectuar una reclamación bajo esta Garantía Limitada, usted debe devolver el producto, que consiste en la herramienta mecánica portátil o para tablero de banco completa, con el transporte pagado, a cualquier Centro de servicio de fábrica o Estación de servicio autorizada. Para Estaciones de servicio autorizadas de herramientas mecánicas BOSCH, por favor, consulte el directorio telefónico.

ESTA GARANTIA LIMITADA NO SE APLICA A ARTICULOS ACCESORIOS TALES COMO HOJAS PARA SIERRAS CIRCULARES, BROCAS PARA TALADROS, BROCAS PARA FRESADORAS, HOJAS PARA SIERRAS DE VAIVEN, CORREAS PARA LJAR, RUEDAS DE AMOLAR Y OTROS ARTICULOS RELACIONADOS.

TODAS LAS GARANTIAS IMPLICITAS TENDRAN UNA DURACION LIMITADA A UN AÑO A PARTIR DE LA FECHA DE COMPRA. ALGUNOS ESTADOS DE LOS EE.UU. Y ALGUNAS PROVINCIAS CANADIENSES NO PERMITEN LIMITACIONES EN CUANTO A LA DURACION DE UNA GARANTIA IMPLICITA, POR LO QUE ES POSIBLE QUE LA LIMITACION ANTERIOR NO SEA APLICABLE EN EL CASO DE USTED.

EL VENDEADOR NO SERA RESPONSABLE EN NINGUN CASO DE NINGUN DAÑO INCIDENTAL O EMERGENTE (INCLUYENDO PERO NO LIMITADO A RESPONSABILIDAD POR PERDIDA DE BENEFICIOS) QUE SE PRODUZCA COMO CONSECUENCIA DE LA VENTA O UTILIZACION DE ESTE PRODUCTO. ALGUNOS ESTADOS DE LOS EE.UU. Y ALGUNAS PROVINCIAS CANADIENSES NO PERMITEN LA EXCLUSION O LIMITACION DE LOS DAÑOS INCIDENTALES O EMERGENTES, POR LO QUE ES POSIBLE QUE LA LIMITACION O EXCLUSION ANTERIOR NO SEA APLICABLE EN EL CASO DE USTED.

ESTA GARANTIA LIMITADA LE CONFIERE A USTED DERECHOS LEGALES ESPECIFICOS Y ES POSIBLE QUE USTED TAMBIEN TENGA OTROS DERECHOS QUE VARIAN DE ESTADO A ESTADO EN LOS EE.UU., DE PROVINCIA A PROVINCIA EN CANADA Y DE UN PAIS A OTRO.

ESTA GARANTIA LIMITADA SE APLICA SOLAMENTE A HERRAMIENTAS ELECTRICAS PORTATILES Y PARA TABLERO DE BANCO VENDIDAS EN LOS ESTADOS UNIDOS DE AMERICA, CANADA Y EL ESTADO LIBRE ASOCIADO DE PUERTO RICO. PARA COBERTURA DE GARANTIA EN OTROS PAISES, PONGASE EN CONTACTO CON SU DISTRIBUIDOR O IMPORTADOR LOCAL DE BOSCH.

© Robert Bosch Tool Corporation 1800 W. Central Road Mt. Prospect, IL 60056-2230

Exportado por: Robert Bosch Tool Corporation Mt. Prospect, IL 60056-2230, E.U.A.

Importado en México por: Robert Bosch, S.A. de C.V., Calle Robert Bosch No. 405, Zona Industrial, Toluca, Edo. de México, C.P. 50070, Tel. (722) 2792300



2 6 1 0 0 5 2 5 7 2

2610052572 09/18